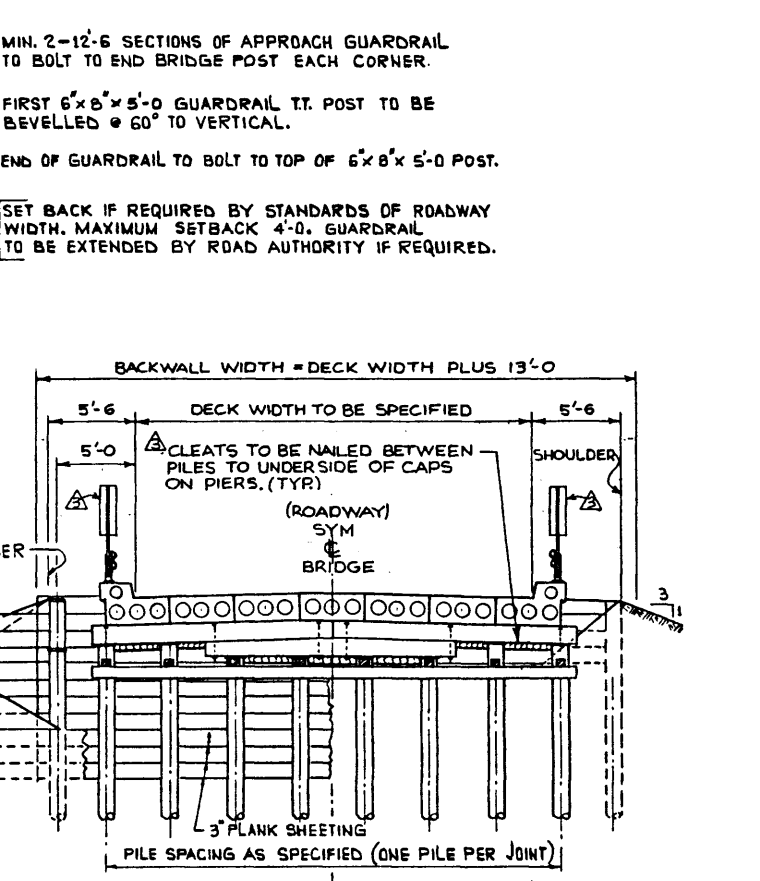
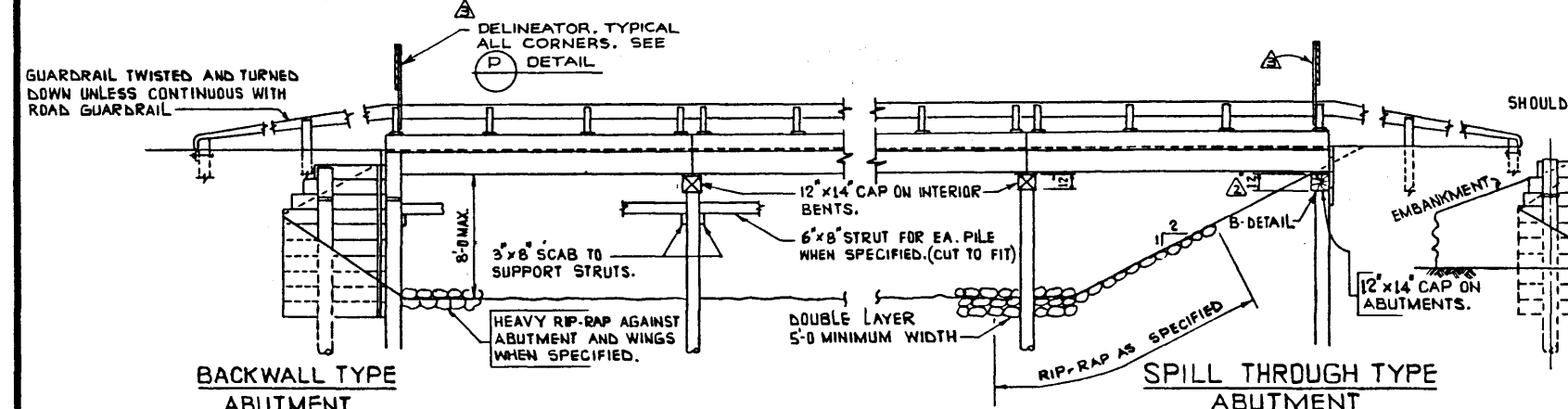
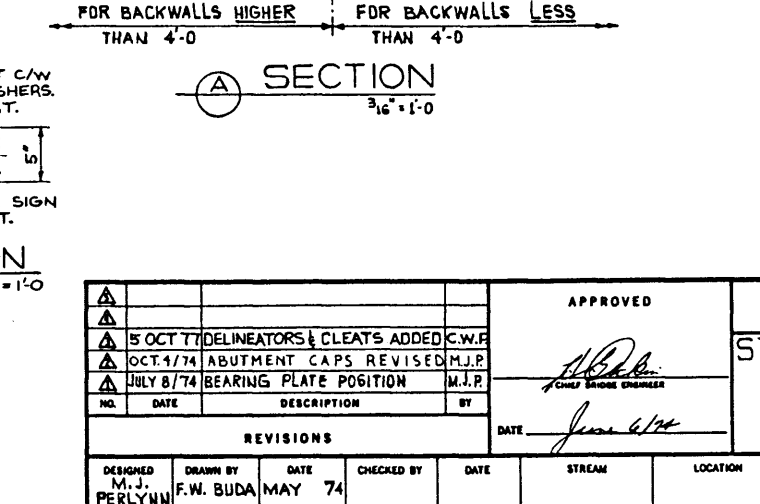
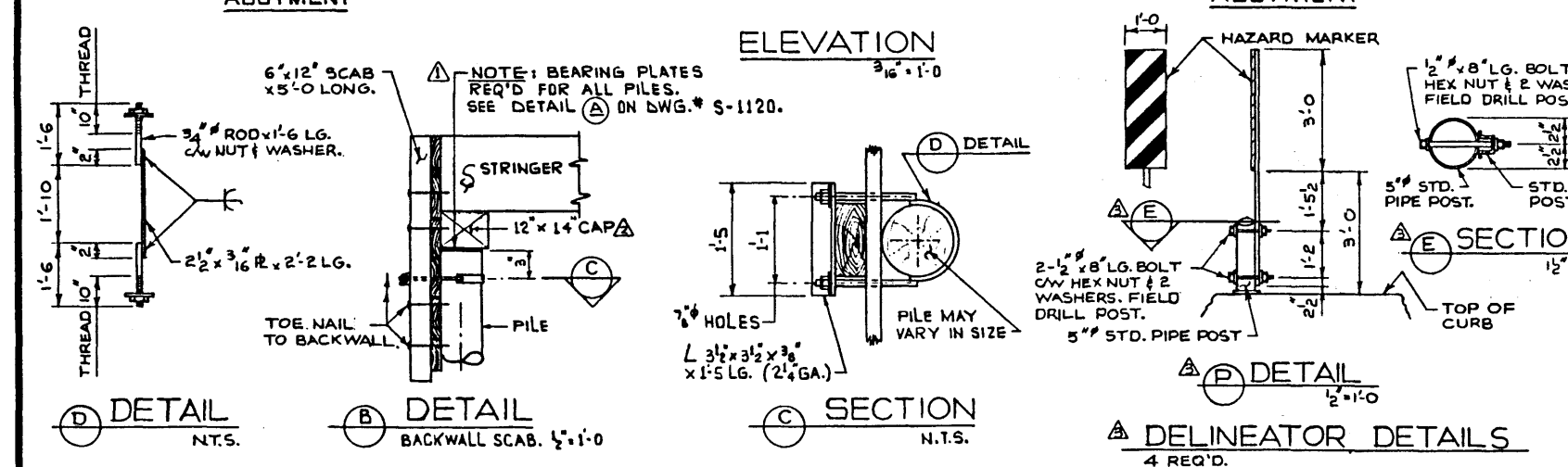


- GENERAL NOTES:**
- PILE SPLICES TO BE DRIVEN A MIN. OF 5'-0" BELOW GROUND LEVEL.
 - PILES TO BE DRIVEN TO A MIN. OF 25 TONS BEARING CAPACITY.
 - HARDENED WASHERS ARE TO BE PLACED BETWEEN THE STRINGER CONNECTORS TO FILL UP ANY SPACE. THE 3/4" HIGH TENSILE BOLTS ARE TO BE TIGHTENED TO 300 FT. LBS. TORQUE.
 - CONNECTOR HOLES, LIFTING HOOK POCKETS AND DOWEL HOLES ARE TO BE FILLED WITH SAND-CEMENT GROUT EXCEPT USE HOT-POURED C190 ASPHALT IN COLD WEATHER.
 - FOR PRECAST UNITS:
 - 20' VS: S-1201 AND S-1202
 - 25' VS: S-1203 AND S-1204
 - 30' VS: S-1205 AND S-1206
 - 35' VS: S-1207 AND S-1208
 - FOR BRIDGE FILLS SEE DWG. NO. S-829



- TREATMENT OF TIMBER - IMPORTANT**
- PILE TOPS UNDER CAPS SHALL BE COATED WITH 3 APPLICATIONS OF CREOSOTE OIL AND THOROUGHLY COVERED WITH ROOFING PITCH.
 - EXPOSED PILE TOPS SHALL BE TREATED AS IN a) AND IN ADDITION SHALL BE COVERED WITH 20 GA. GALVANIZED SHEET IRON OF A SIZE 4" GREATER IN DIAMETER THAN THE PILE. NEATLY TRIM IRON, BEND DOWN AND FASTEN TO PILE WITH GALVANIZED ROOFING NAILS.
 - TREATED TIMBER SHALL BE CAREFULLY HANDLED, SO AS TO AVOID BREAKING OF OUTER FIBERS AND BRUISING OR PENETRATING THE SURFACE. TOOLS TO BE USED ONLY ON ENDS OF TIMBER.
 - ALL CUTS AND ABRASIONS IN TREATED TIMBER SHALL AFTER CAREFUL TRIMMING BE COATED WITH 2 APPLICATIONS OF CREOSOTE AND THEN BE THOROUGHLY COVERED WITH HOT ROOFING PITCH.
 - TREATED PILES MUST NOT BE DAPPED FOR SWAY BRACING IN THE FIELD.
 - BOLT HOLES BORED AFTER TREATMENT SHALL BE CAREFULLY TREATED WITH CREOSOTE. ANY UNFILLED HOLES SHALL BE SEALED WITH CREOSOTED PLUGS.



DESIGNED M.J. PERLYNN		DRAWN BY F.W. BUDA		DATE MAY 74	CHECKED BY	DATE	STREAM	LOCATION	WHY. NO.	SCALE	FILE NO.	SHEET 1 of 2	DWG. NO. S-1119
APPROVED 5 OCT 77 DELINEATORS & CLEATS ADDED C.W.F. OCT 1/74 ABUTMENT CAPS REVISED M.J.P. JULY 8/74 BEARING PLATE POSITION M.J.P. REVISIONS												APPROVED Alberta HIGHWAYS AND TRANSPORT BRIDGE BRANCH STANDARD 'VS' PRECAST BRIDGES WITH T.T. SUBSTRUCTURE HS 25 LOADING SHEET # 1	