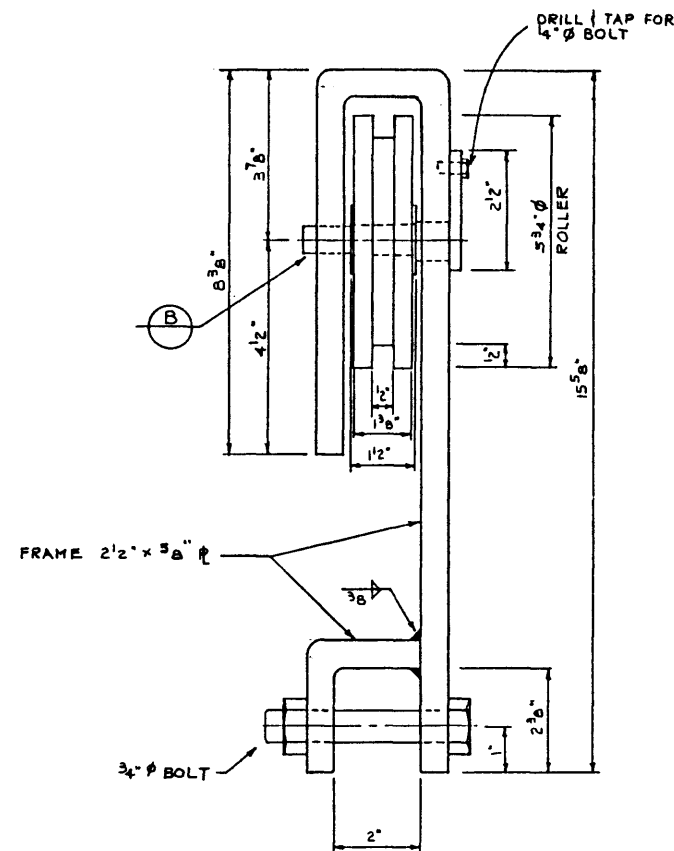
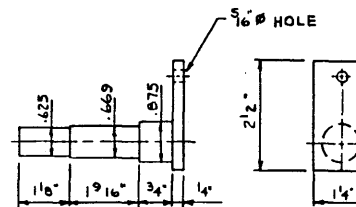


SCAFFOLD DETAILS  
NTS



A HANGER  
HALF SIZE



B DETAIL  
HALF SIZE

GENERAL NOTES

- DESIGN LOADS : DEAD LOAD - 265 #/LINE  
LIVE LOAD 600 #/LINE (3-200# MEN)
- ALL REQUIREMENT OF BRIDGE BRANCH SPEC. FOR THE SUPPLY OF STRUCTURAL STEEL SHALL BE MET.
- ALL STEEL IS TO CONFORM TO THE REQUIREMENT OF ASTM A36 OR CSA G40.12
- ALL BOLTS TO BE ASTM A307 OR EQUIVALENT

OCCUPATIONAL HEALTH & SAFETY DIVISION  
APPROVAL No. E-77-28

<table border="1"> <tr><td>APPROVED</td></tr> <tr><td>CHIEF BRIDGE ENGINEER</td></tr> </table>				APPROVED	CHIEF BRIDGE ENGINEER	<b>Alberta</b> HIGHWAYS AND TRANSPORT BRIDGE BRANCH					
APPROVED											
CHIEF BRIDGE ENGINEER											
THROUGH TRUSS SCAFFOLD DETAILS											
DESIGNED	DRAWN BY	DATE	CHECKED BY	DATE	STREAM	LOCATION	HWY. NO.	SCALE SHOWN	FILE NO.	SHEET	DWG. NO.
T. BELKE	S. HENDERSON	JULY 1974								..... of .....	S-1121