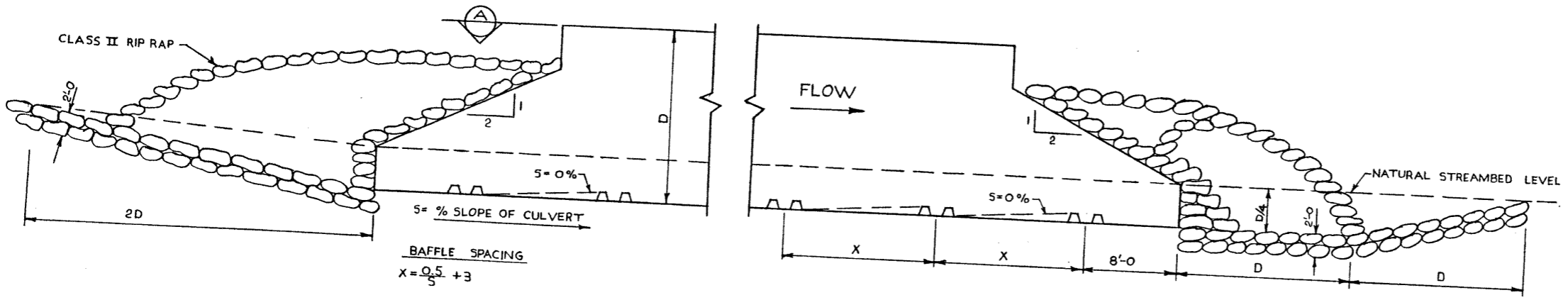
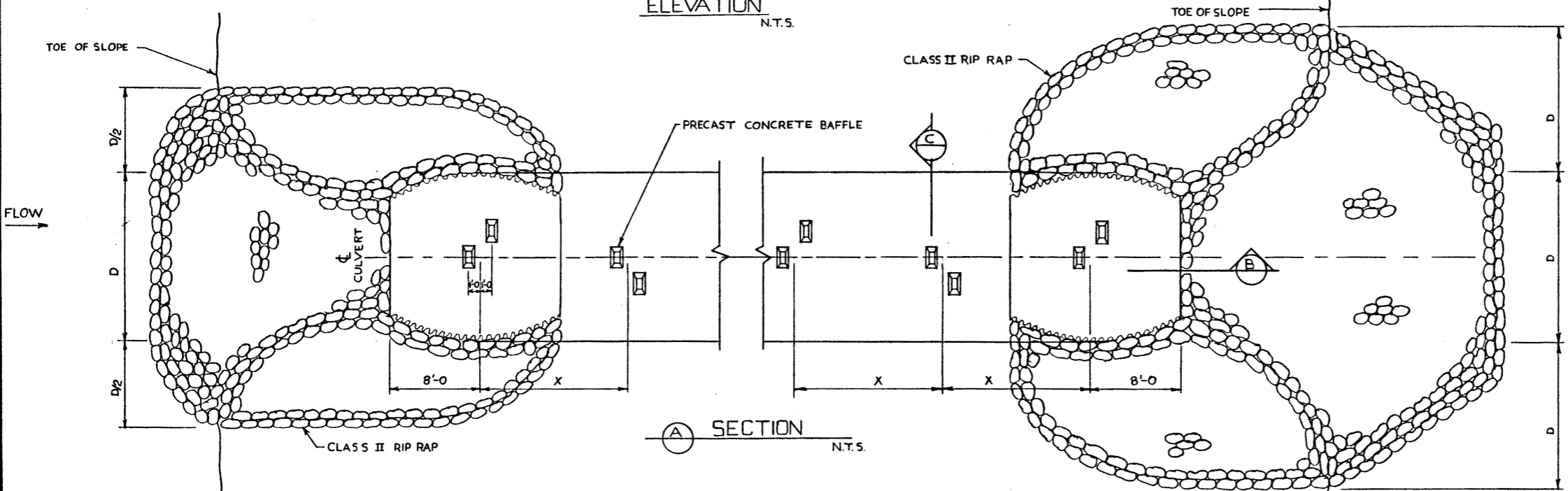


BARLIST: 1 BAFFLE							
MARK	SIZE	NO.	TYPE	X	Y	LENGTH	WEIGHT
Y-301	3	2	A			2'-2 1/2"	2
Y-302	3	1	B			3'-4"	1
Y-303	3	1	C			5'-2"	2
TOTAL WEIGHT							5

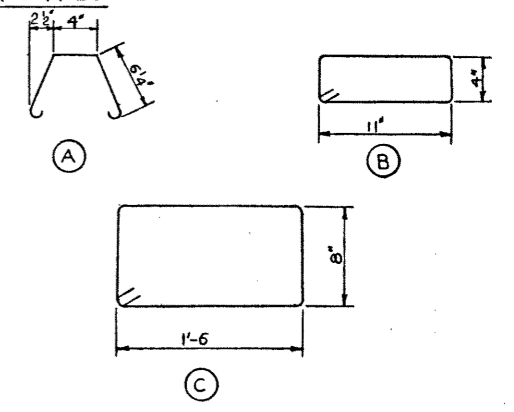


ELEVATION  
N.T.S.

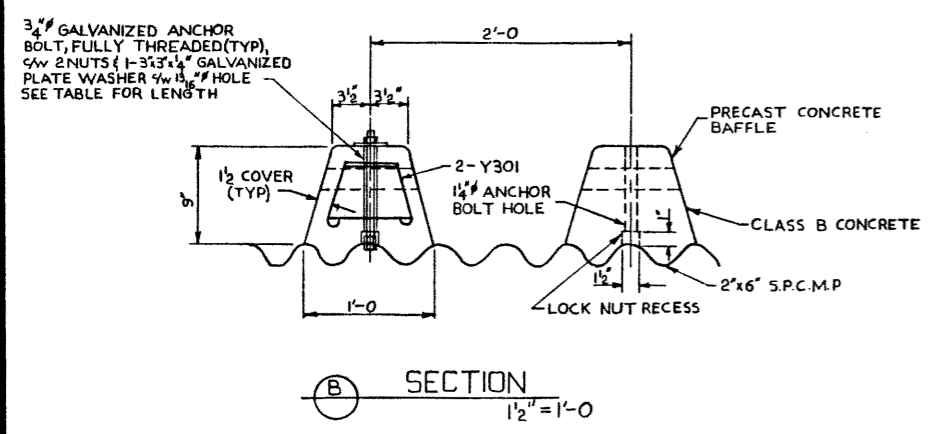


SECTION  
N.T.S.

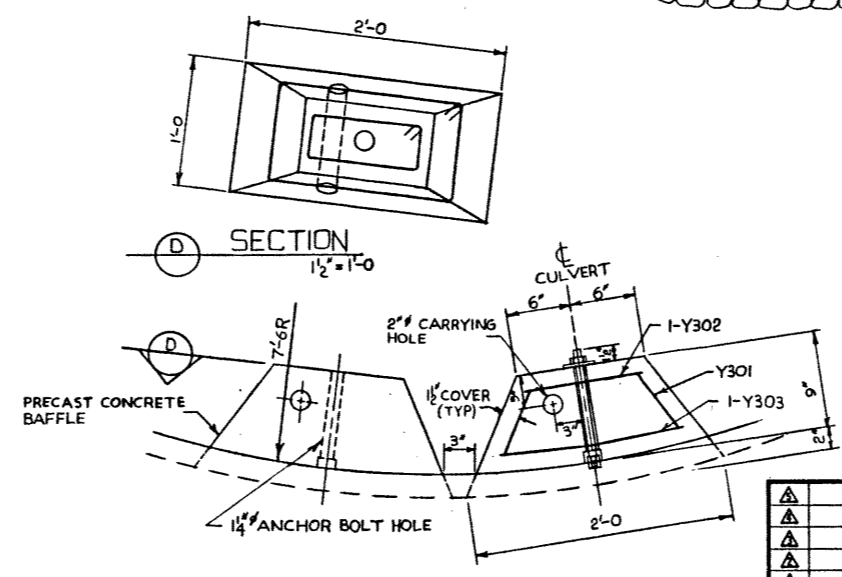
BAR TYPES



- NOTE:
- 1) ANCHOR BOLTS WITH LOCKNUT FOR PRECAST CONCRETE BAFFLES TO BE INSTALLED DURING THE ASSEMBLY OF THE S.P.C.M.P.
  - 2) RIP RAP TO BE PLACED TO THE DIMENSIONS SHOWN.
  - 3) FOR OTHER ASSEMBLY AND INSTALLATION DETAILS SEE STD DWG. 5-1086
  - 4) PRECAST BAFFLES AND ANCHOR BOLT ASSEMBLIES SUPPLIED BY DEPARTMENT.
  - 5) ALL ANCHOR BOLTS TO BE TORQUED TO 200 FT-LBS



SECTION  
1/2" = 1'-0



SECTION  
1/2" = 1'-0

STD 3/4" GALVANIZED ANCHOR BOLT LENGTHS

CULVERT DIAMETER	BOLT LENGTH
120"	11"
132"	11"
144"	11"
156"	10 3/4"
168"	10 1/2"
180"	10 1/2"

**SUPERSEDED**

by redrawn  
5-1436  
May 27, 1987

2

DESIGNED		DRAWN BY		DATE		CHECKED BY		DATE		STREAM		LOCATION		HWY. NO.		SCALE		FILE NO.		SHEET		DWS. NO.	
C. THOMPSON		W. SCHNEIDER		JULY 1975												SHOWN				5-1131			

APPROVED		Albera HIGHWAYS AND TRANSPORT BRIDGE BRANCH	
[Signature]		INSTALLATION OF PRECAST CONCRETE FISH BAFFLES	
DATE: July 22, 1975			