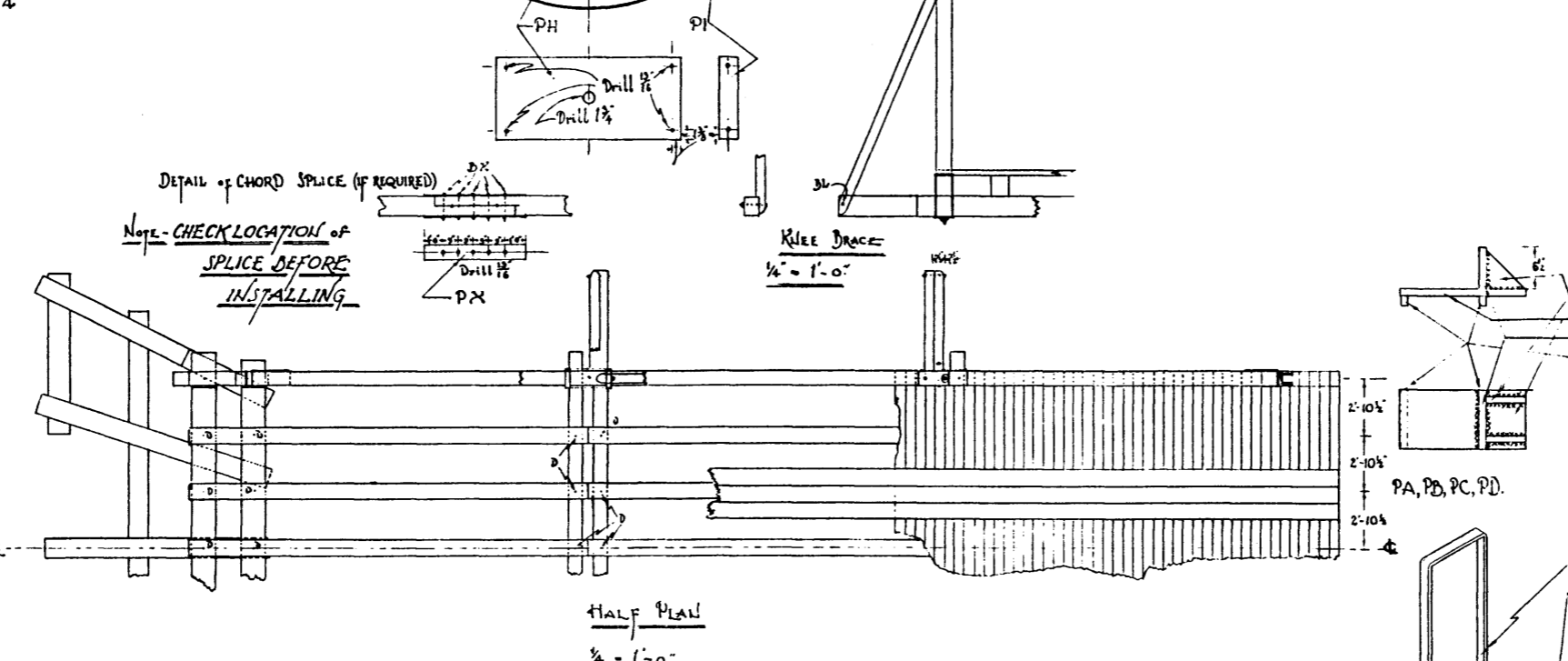
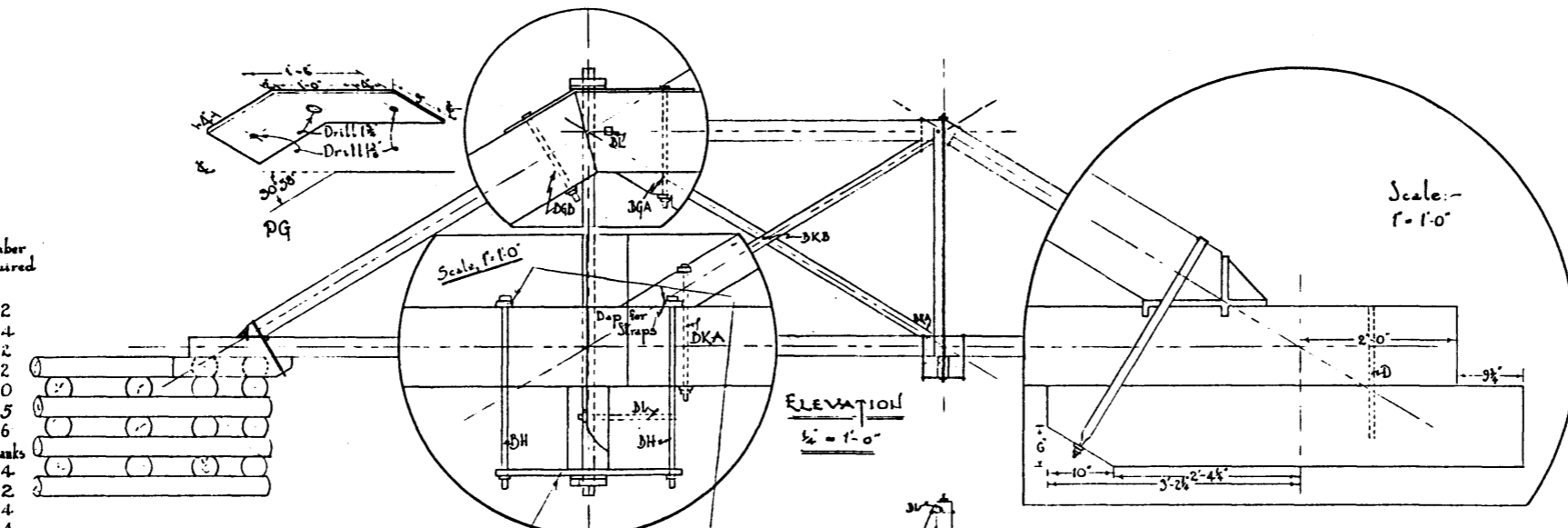


LUMBER			
Length	Description	Logs or Beams	Number Required
58'	Chords	1-3 9' x 12"	2
6'	Corbels	9' x 12"	4
20'	Floor Beams	1-3 9' x 1-0 1/2"	2
28'	Floor Beams	1-3 9' x 1-0 1/2"	2
20'	Stringers	1-3 10' x 1-0"	10
18'	"	1-3 10' x 1-0"	5
18'	Flooring Poles	0-6 3/32" dia. 3/4" Ply (16)	16
	Plank Wheel Tracks	870 bd ft. 3" x 10" Planks	
20'-5"	Struts	1-3 9' x 1-0"	4
18'-4"	Straining Beams	1-3 9' x 1-0"	2
20'-0"	Panel Braces	0-6 6' x 6'	4
15'	Knee Braces	0-6 6' x 6'	4



HARDWARE			
Description	Code	Number Required	
Triangular Stiffeners (2)	PA	8	
Steel Plate 1 x 9 x 1-7"	PB	4	
Steel Plate 1 x 6 1/2 x 9	PC	4	
Steel Plates 1 x 1 1/2 x 9 (Keys-2 Pieces)	PD	8	

All the above to be welded as shown with 1/4" fillet welds, continuous on both sides.

Steel Strap 1/2 x 1 1/2 x 7-4 bent as shown, lapped to 1/2" & threaded 3" each end; nuts	PE	4
Steel Straps 1/2 x 1 1/2 x 7-0 drilled as shown	PF	4
Steel 'Peak' Plate 1/2 x 9 x 2-6 bent 30°/38° and drilled as shown	PG	4
Steel 'Stirrup' Plate 1 x 1-0 1/2 x 2-4 drilled as shown	PH	4
Steel Plates (2) 1 x 2 1/2 x 1-0 1/2	PI	8
Wrought Iron or Steel Rod 1 3/8 x 13-6 threaded 6" each end, nuts & washers	PJ	4
Square Head Bolts 3/4" x 1-6 threaded 3" n. & w.	DGA	4
" " " 3/4" x 1-3 " 5" n. & w.	DGD	4
" " " 3/4" x 2-4 1/2 " 5" n. & w.	DH	16
" " " 3/4" x 1-8 1/2 " 2" n. & w.	DKA	4
" " " 3/4" x 1-0 " 2" n. & w.	DKB	4
" " " 3/4" x 1-2 " 2" n. & w.	DL	8
Drift Pins 3/4" x 20"	D	44
Nails 6" - for flooring		80 lbs.
Steel Splice Plates 1 x 9 x 5-0 drilled as shown	PX	2 per splice
Square Head Bolts 3/4" x 1-4 threaded 2" nuts	DX	5 per splice

APPROVED				Alberta HIGHWAYS AND TRANSPORT BRIDGE BRANCH			
CHIEF BRIDGE ENGINEER				54' SPAN QUEEN TRUSS BRIDGE			
NO.	DATE	DESCRIPTION	BY	DATE			
REVISIONS							
DESIGNED	DRAWN BY	DATE	CHECKED BY	DATE	STREAM	LOCATION	HWY. NO.
							SCALE
							FILE NO.
							SHEET
							DWG. NO.
							5-1139