

| BAR LIST: 2 FOOTINGS | | | | | |
|----------------------|-----|------|--------|--------|--------|
| MARK | NO. | TYPE | LENGTH | WEIGHT | |
| F301 | 7 | 54 | OTR | 156.1 | 1710.9 |
| F301 | 25 | 34 | GR2 | 18.4 | 234.4 |
| TOTAL | | | | | 1945.3 |

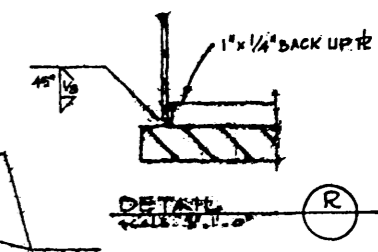
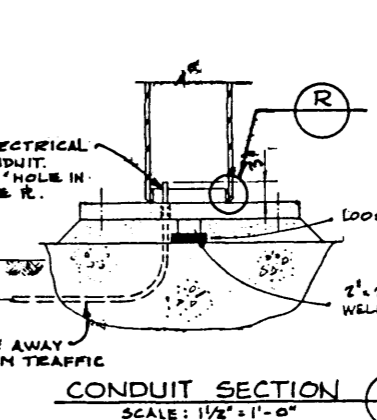
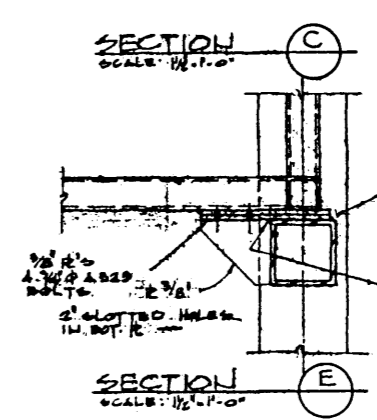
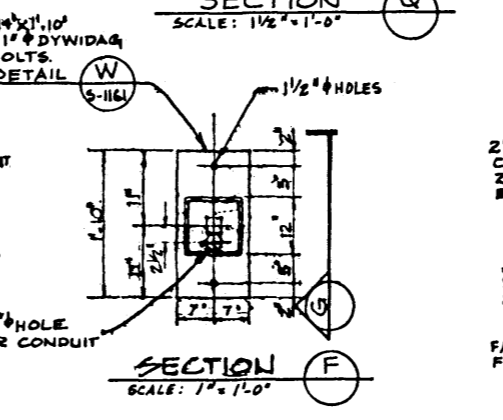
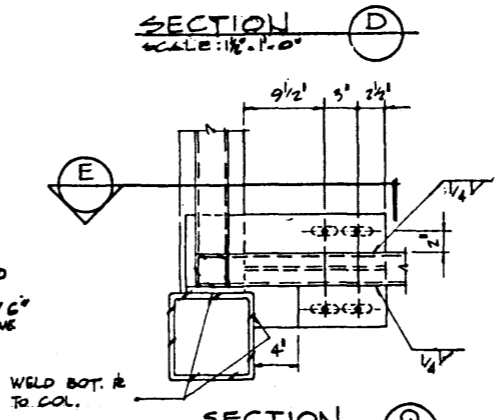
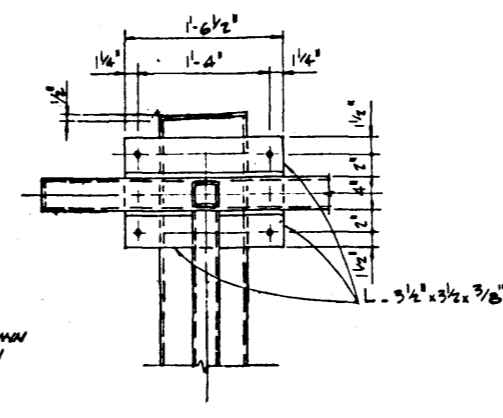
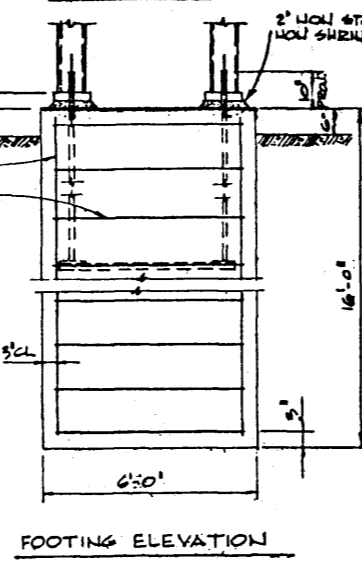
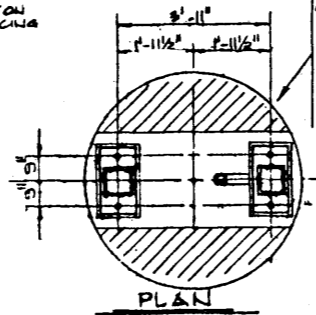
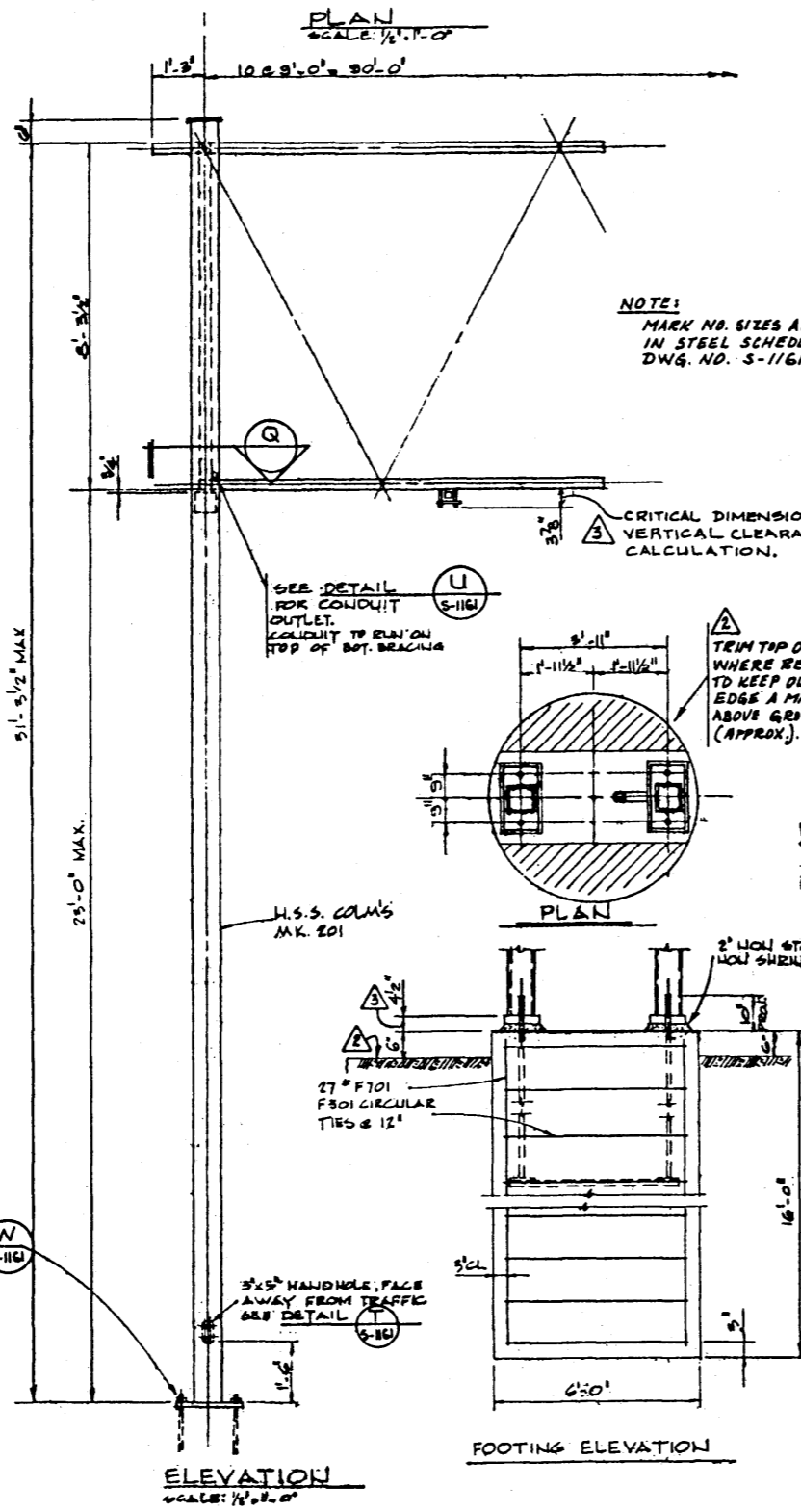
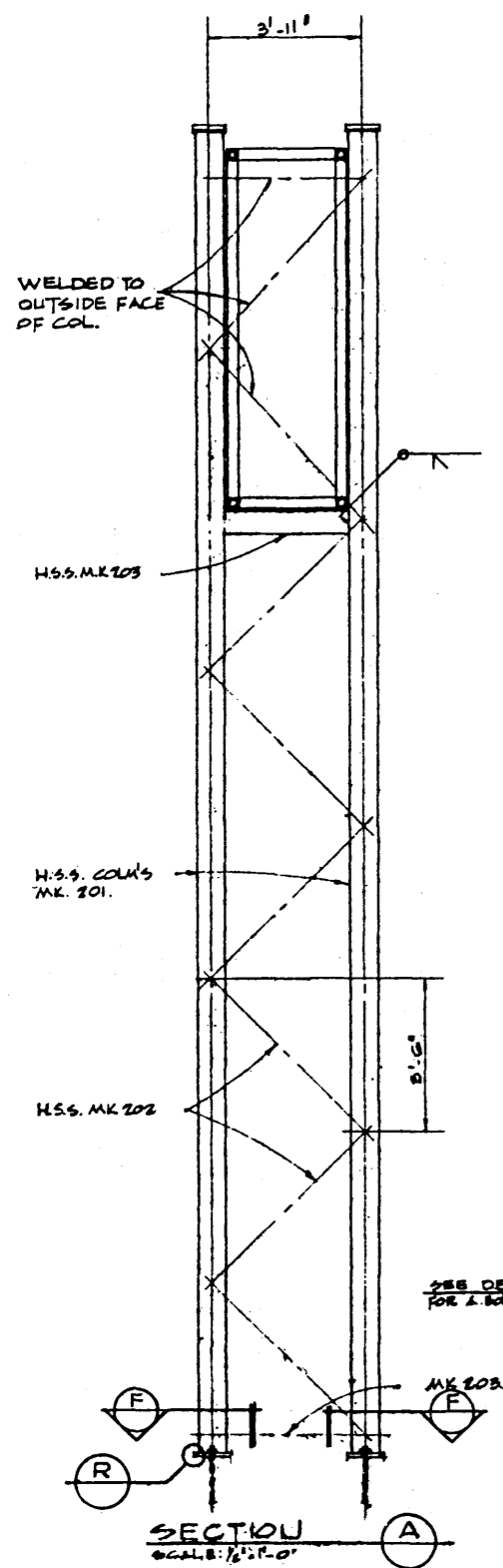
NOTE: BARS ARE TO BE ASSEMBLED INTO A CAGE BY AN APPROVED TACK WELDER.

ALL BAR DIMENSIONS ARE GUT TO OUT.

| QUANTITY ESTIMATE: 2 FOOTINGS | | |
|-------------------------------|---------|------------------|
| ITEM | UNIT | ESTIMATED QUANT. |
| CONCRETE CLASS 'K | CU. YD. | 53.5 |
| REINFORCING STEEL | LB. | 1945.3 |

NOTE: FOR FINISHING PURPOSES, LOOSE SHIMS TO BE PLACED ONLY UNDER BASE. SHIM WELDED TO U/S OF BASE.

AFTER THE GROUT HAS BEEN CURED TIGHTEN ALL BOLTS WITH TORQUE WRENCH AND PROVIDE NOT LESS THAN 300 FT. LB. OF TORQUE.



NOTE: MARK NO. SIZES ARE SHOWN IN STEEL SCHEDULE ON DWG. NO. S-1161.

CRITICAL DIMENSION FOR VERTICAL CLEARANCE CALCULATION.

SEE DETAIL U FOR CONDUIT OUTLET. CONDUIT TO RUN ON TOP OF BOT. BRACING.

TRIM TOP OF PILE WHERE REQUIRED TO KEEP OUTSIDE EDGE A MAXIMUM 6" ABOVE GROUND LINE (APPROX.).

WELD BOT. R TO COL.

2 2x2x1/4x1/4x1/4 C/W 2.1" DY WIDAG BAR BOLTS. SEE DETAIL W.

2" NON STAIN WOOD SHIMK GRABIT

27" F301 CIRCULAR TIES @ 12"

2 1/2" HOLE FOR CONDUIT

NOTE: FOUNDATIONS SHALL NOT BE SET IN SOFT CLAY, LOOSE ORGANIC SAND AND SILT OR SIMILAR SOIL.

WORK THIS DWG. IN CONJUNCTION WITH DWG. NO. S-1161

| REVISIONS | APPROVED | | Albera HIGHWAYS AND TRANSPORT BRIDGE BRANCH | |
|-----------|----------|-----------|---|----|
| | DATE | BY | DATE | BY |
| 05-01-84 | KST | 05-01-84 | KST | |
| 22 MAR 76 | R.G.Q. | 22 MAR 76 | R.G.Q. | |
| 11 MAR 76 | R.G.Q. | 11 MAR 76 | R.G.Q. | |

| DEPARTMENT | DESIGNED BY | DATE | CHECKED BY | DATE | STATION | LOCATION | BRIDGE NO. | SCALE | FILE NO. | SHEET | DWG. NO. |
|------------|-------------|---------|------------|---------|---------|----------|------------|----------|----------|-------|----------|
| E.C. | R.B. | OCT. 75 | E.F.C. | OCT. 75 | | | | AS NOTED | | | S-1160 |

THE ASSOCIATION OF PROFESSIONAL ENGINEERS OF ALBERTA PERMIT NUMBER P442 CARSWELL ENGINEERING LTD.

