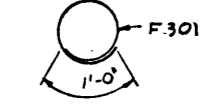


BAR LIST - 2 FOOTINGS					
MARK	SIZE	NO.	TYPE	LENGTH	WEIGHT
F801	#8	52	STR.	15'-6"	2152
F301	#3	34	CIRC.	18'-4"	2384.4
TOTAL					2386.4

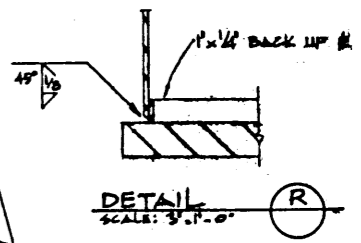
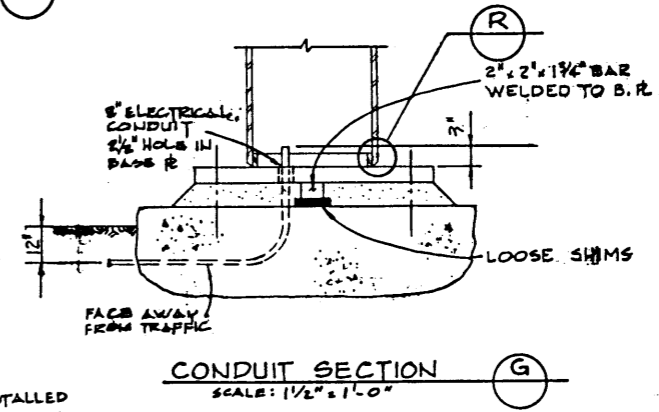
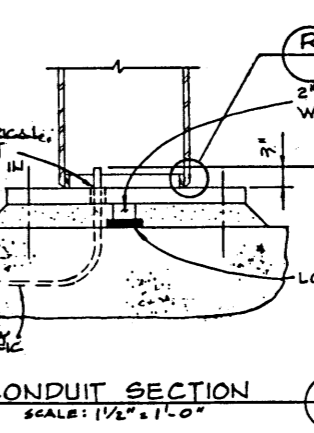
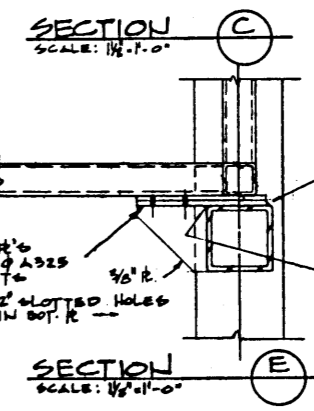
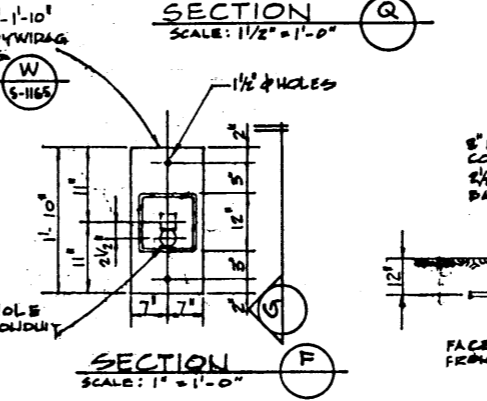
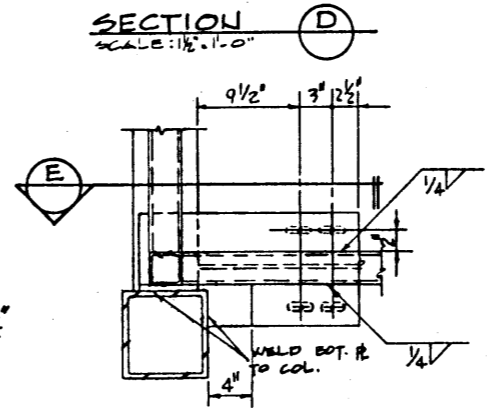
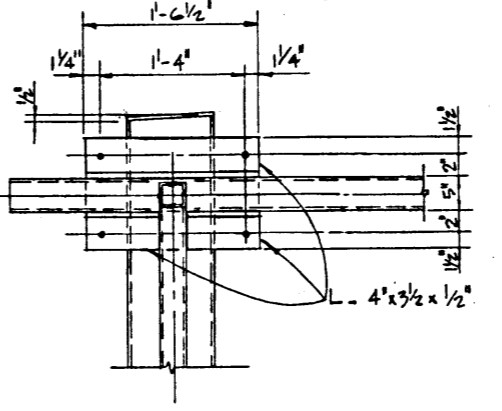
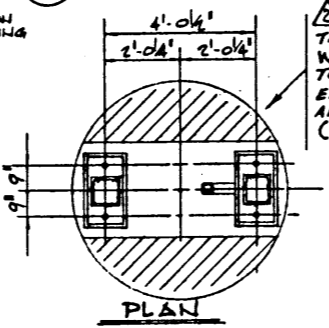
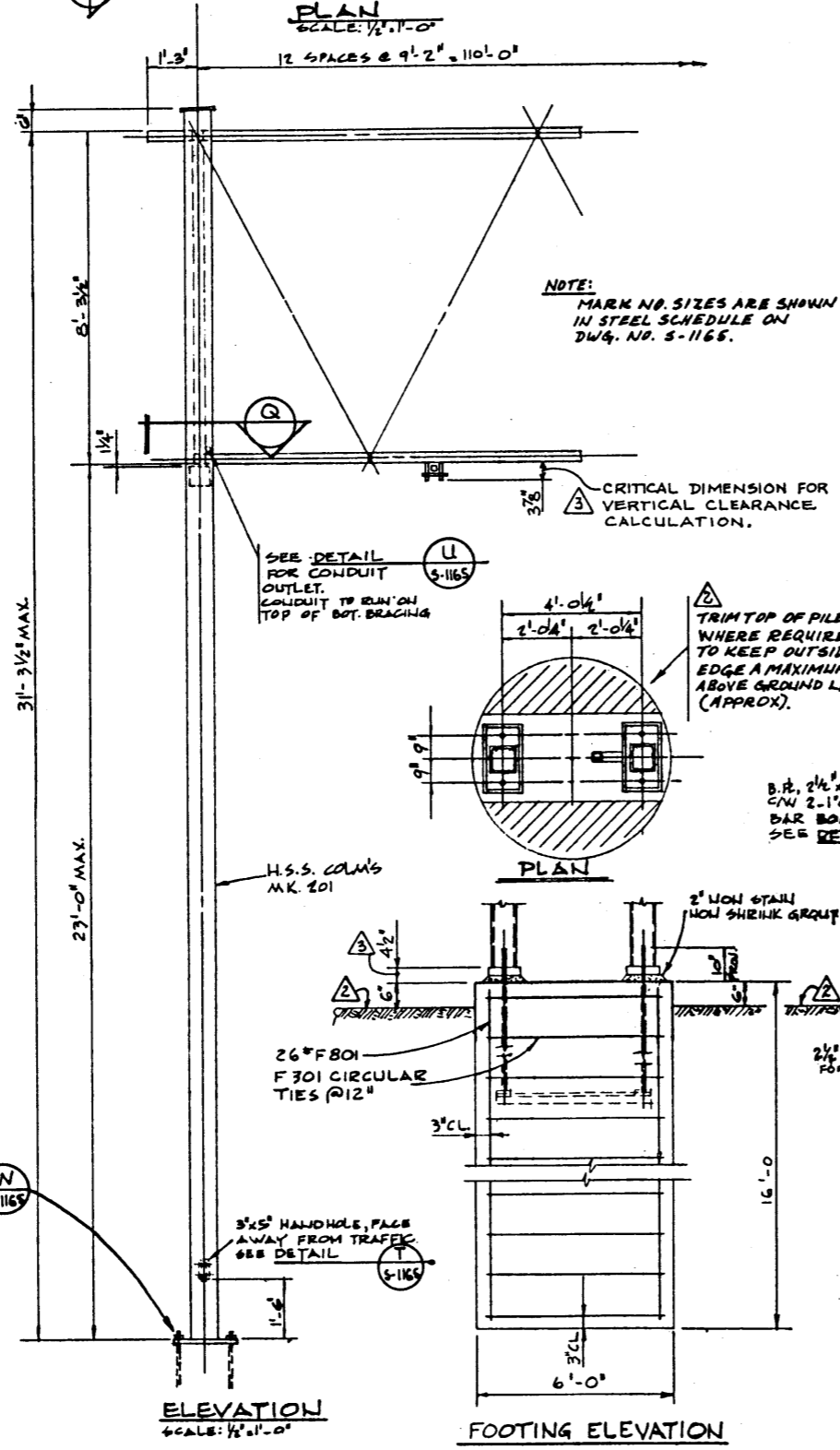
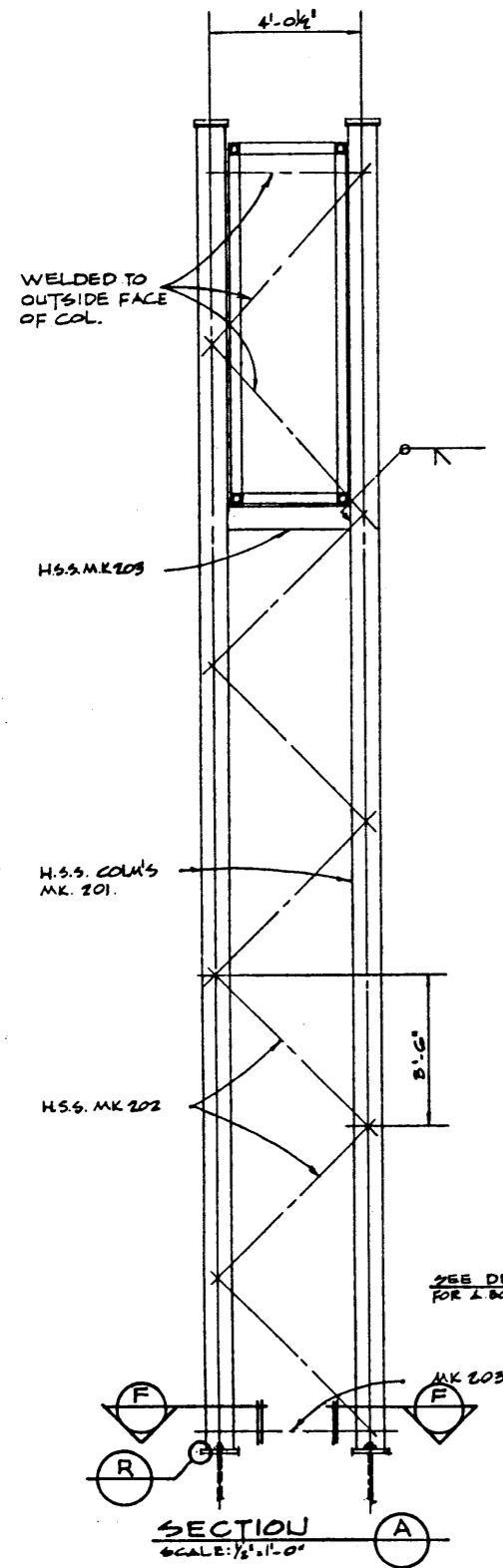
NOTE: BARS ARE TO BE ASSEMBLED INTO CAGE BY AN APPROVED TACK WELDER.

ALL BAR DIMENSIONS ARE OUT TO OUT



QUANTITY ESTIMATE - 2 FOOTINGS			
ITEM	UNIT	ESTIMATED	CONST.
CONCRETE CLASS 'A'	CU. YDS	33.5	
REINFORCING STEEL	LBW	2386.4	

NOTE:  
1. FOR LEVELLING PURPOSES LOOSE SHIMS TO BE PLACED UNDER BASE BAR SHIM WELDED TO 1/4" OF BASE R.  
2. AFTER THE CONCRETE HAS CURED TIGHTEN ALL BOLTS WITH TORQUE WRENCH AND PROVIDE NOT LESS THAN 300 FT. LB. OF TORQUE.



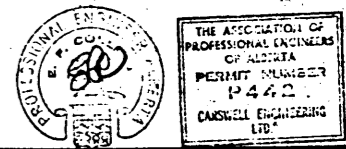
NOTE: MARK NO. SIZES ARE SHOWN IN STEEL SCHEDULE ON DWG. NO. S-1165.

TRIM TOP OF PILE WHERE REQUIRED TO KEEP OUTSIDE EDGE A MAXIMUM 6" ABOVE GROUND LINE (APPROX).

B.R. 2 1/2" x 14" x 1'-10" C/W 2-1" DIA DYWIDAG BAR BOLTS SEE DET. W S-1165

NOTE: FOUNDATIONS SHALL NOT BE INSTALLED IN SOFT CLAY, LOOSE ORGANIC SAND AND SILT OR SIMILAR SOIL.

WORK THIS DWG. IN CONJUNCTION WITH DWG. NO. S-1165.



CARSWELL ENGINEERING LTD. CONSULTING ENGINEERS CALGARY ALBERTA	APPROVED	<b>Abena</b> HIGHWAYS AND TRANSPORT BRIDGE BRANCH <b>STANDARD SIGN BRIDGE</b> <b>110'-0" SPAN COLUMN DETAILS</b>
	REVISIONS NO. DATE DESCRIPTION BY 85-01-31 CRITICAL CLEAR DIMENSION ADDED KST 22 MAR 76 TOP OF FOOTING PILE R.G.Q. 11 MAR 76 RELABELLED FROM CARSWELL DWG. R.G.Q.	
DESIGNED E.C. DRAWN BY R.E.B. DATE OCT. 75 CHECKED BY E.F.C. DATE JAN. 76	DATE STREAM LOCATION	SHEET OF DWG. NO. S-1164