

BAR LIST - 2 FOOTINGS

MARK	SIZE	NO.	TYPE	LENGTH	WEIGHT
F801	#8	52	STR.	16'-6"	2290.9
F301	#3	36	CIRC.	18'-4"	248.2
TOTAL					2539.1

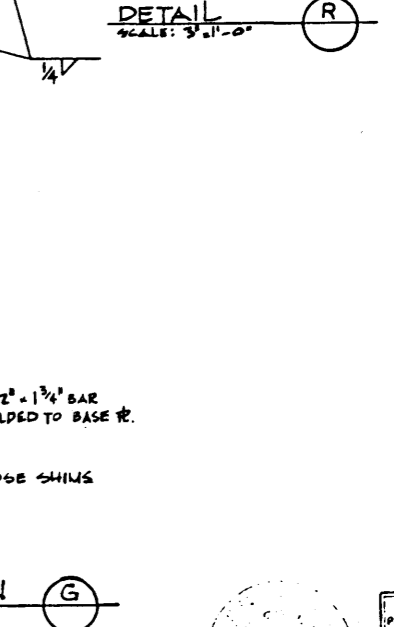
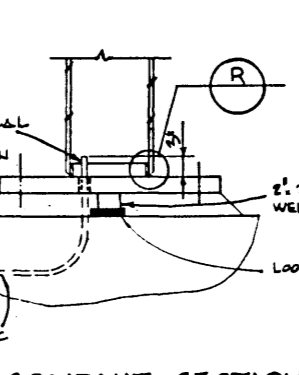
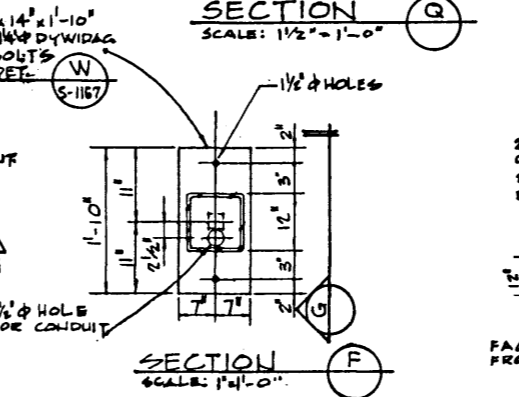
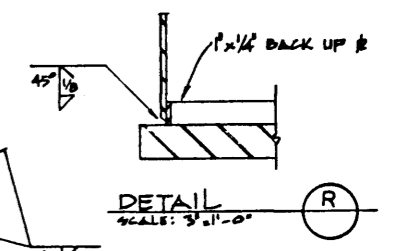
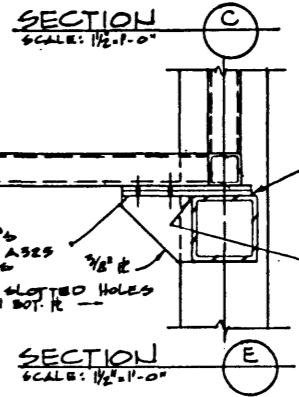
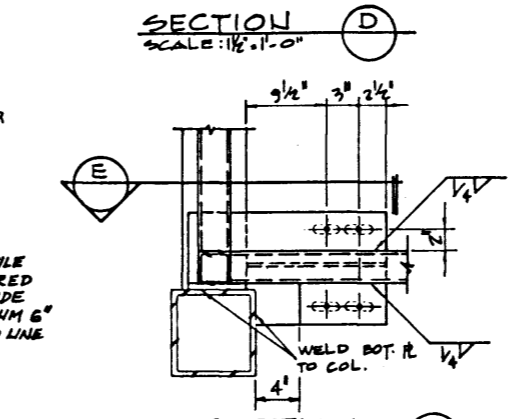
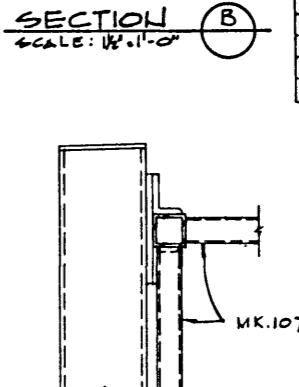
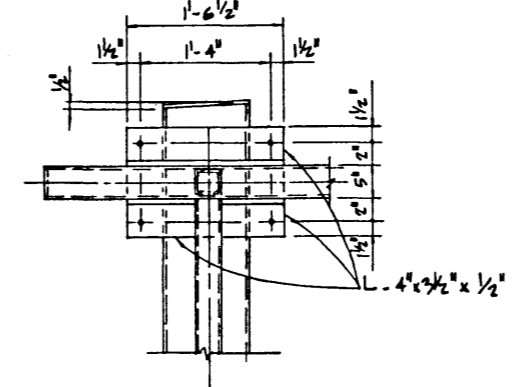
NOTE: BARS ARE TO BE ASSEMBLED INTO A CAGE BY AN APPROVED TACK WELDER.

ALL BAR DIMENSIONS ARE OUT TO OUT

QUANTITY ESTIMATE - 2 FOOTINGS

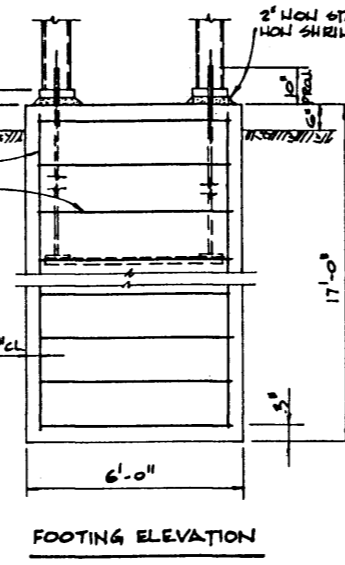
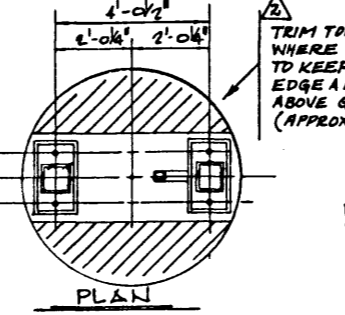
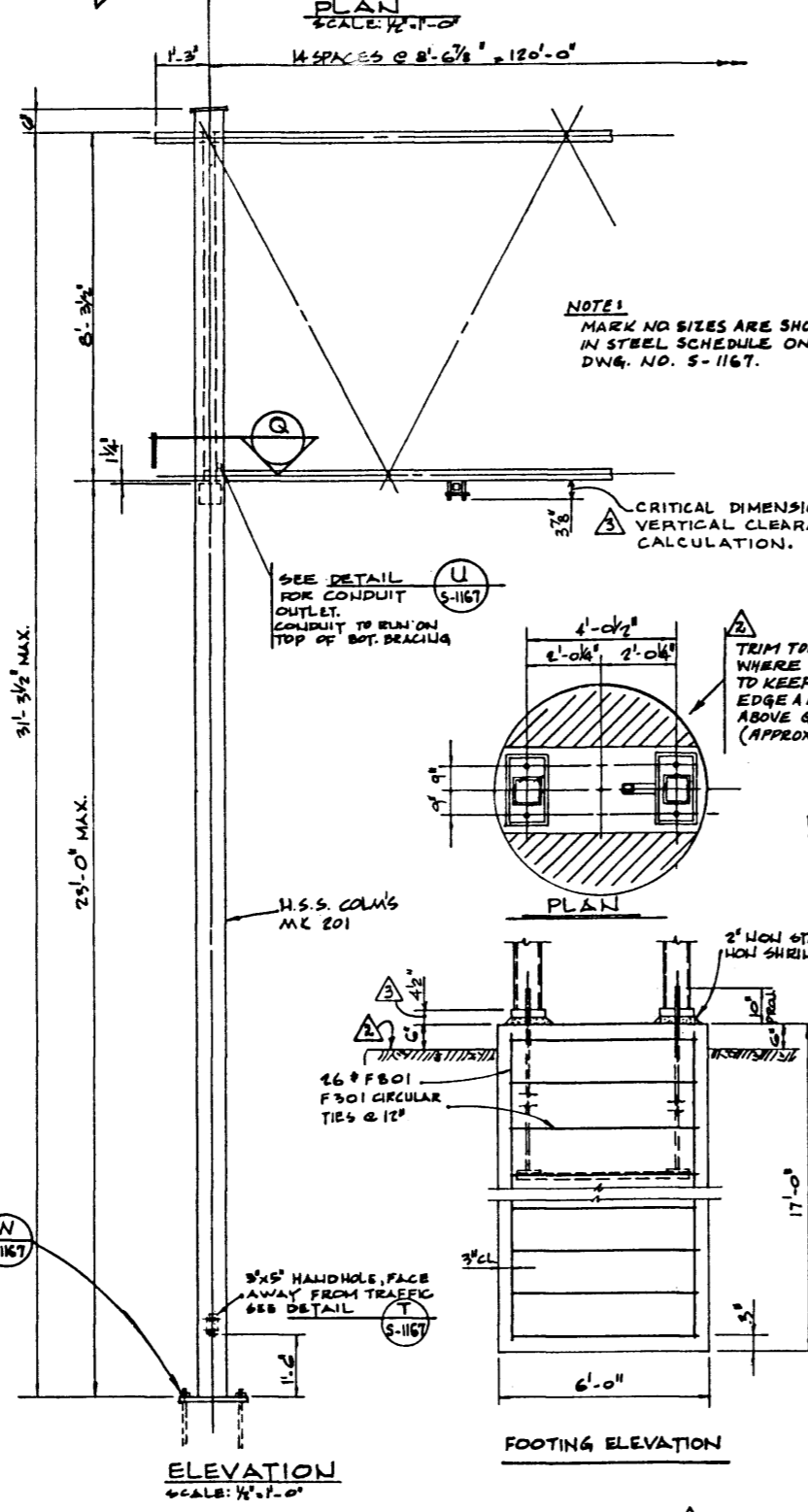
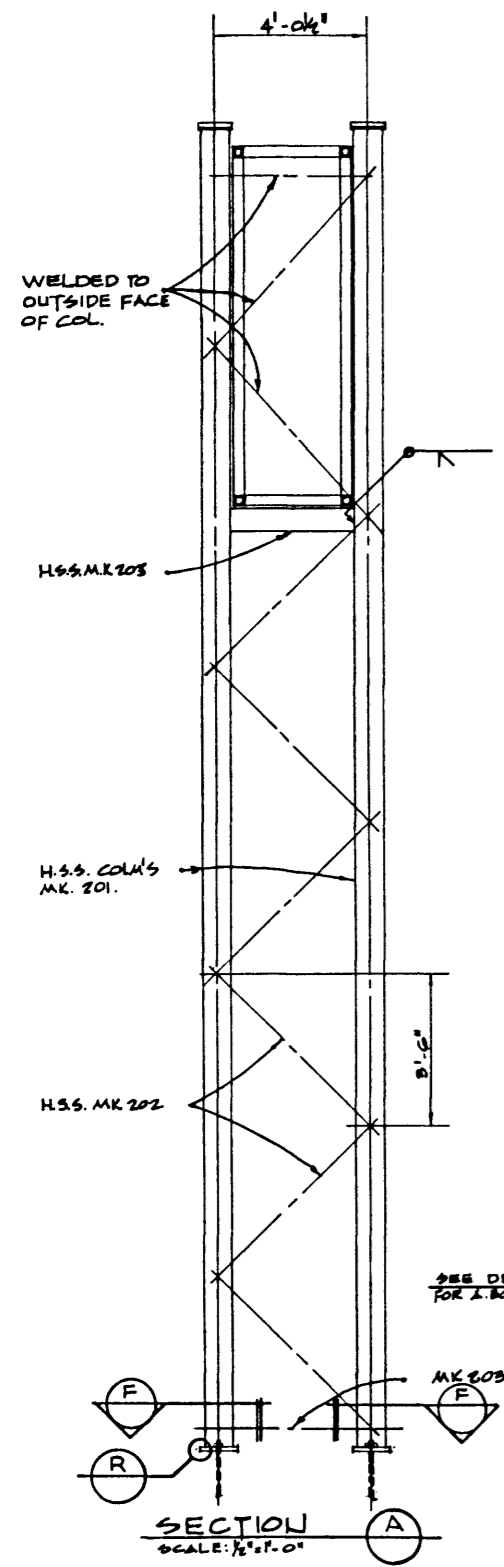
ITEM	UNIT	ESTIMATE	NO. COLS
CONCRETE CLASS 'K'	CU. YDS	35.6	
REINFORCING STEEL	LBs	2539.1	

NOTE:
1. FOR LEVELLING PURPOSES LOOSE SHIMS TO BE PLACED UNDER BASE SHIM WELDED TO 1/4" OF BASE R.
2. AFTER THE GROUT HAS CURED TIGHTEN ALL BOLTS WITH TORQUE WRENCH AND PROVIDE NOT LESS THAN 300 FT. LB. OF TORQUE.



NOTE: FOUNDATIONS SHALL NOT BE INSTALLED IN SOFT CLAY, LOOSE ORGANIC SAND AND SILT OR SIMILAR SOIL.

WORK THIS DWG. IN CONJUNCTION WITH DWG. NO. S-1167



CARSWELL DWG. NO. 120-1

CARSWELL ENGINEERING LTD CONSULTING ENGINEERS CALGARY ALBERTA	DESIGNED	DRAWN BY	DATE	CHECKED BY	DATE	STREAM	LOCATION	WHY. NO.	SCALE	FILE NO.	SHEET	DWG. NO.
	E.C.	R.E.B.	OCT. 75	E.F.C.	JAN. 76				AS NOTED			S-1166

APPROVED	Alberta HIGHWAYS AND TRANSPORT BRIDGE BRANCH
25-01-31 CRITICAL CLEAR DIMENSION ADDED KST	STANDARD SIGN BRIDGE
22 MAR 76 TOP OF FOOTING PILE R.G.Q.	120'-0" SPAN COLUMN DETAILS
11 MAR 76 RELABELLED FROM CARSWELL DWG. R.G.Q.	