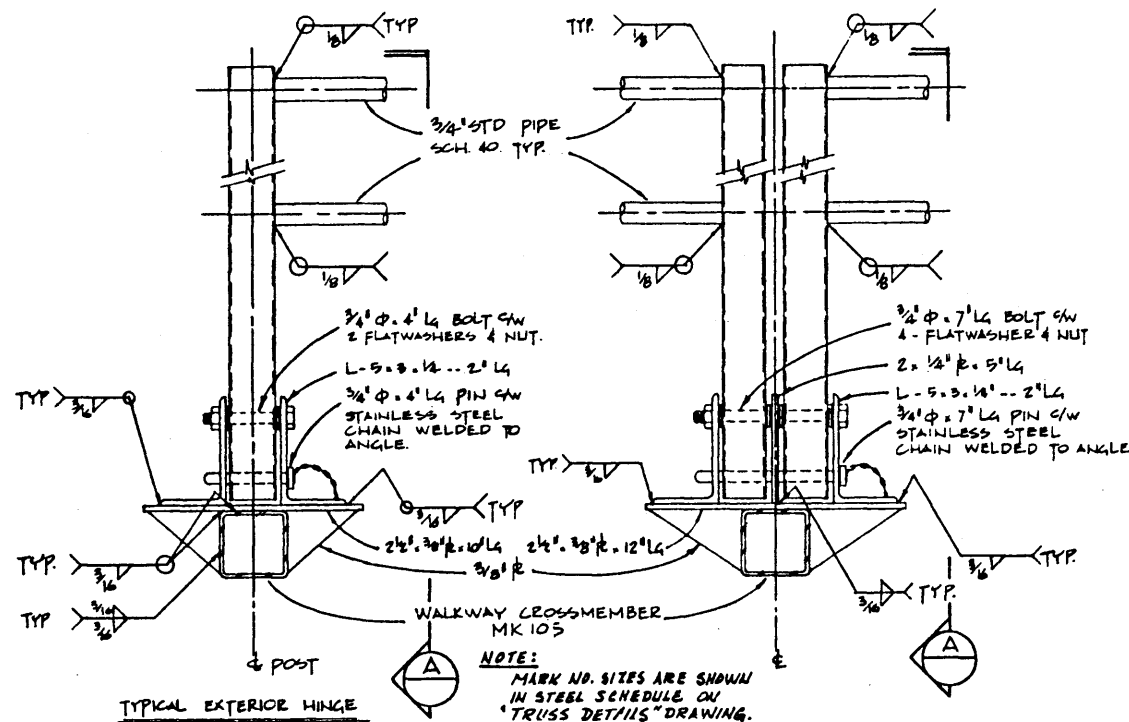
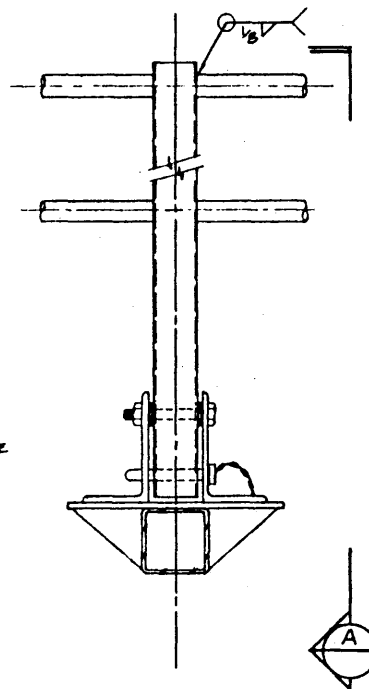


FRONT ELEVATION  
TYPICAL RAILING ASSEMBLY

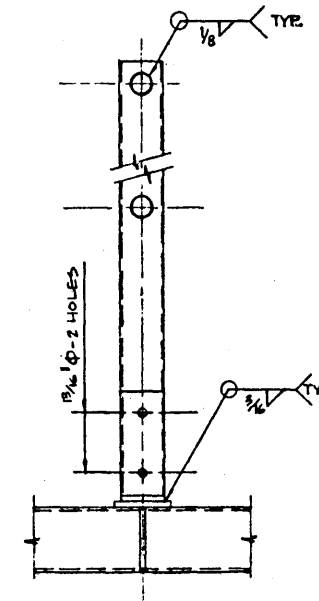


DETAIL P  
SCALE: 1/2 FULL SIZE

DETAIL Q  
SCALE: 1/2 FULL SIZE



DETAIL R  
SCALE: 1/2 FULL SIZE



SECTION A  
SCALE: 1/2 FULL SIZE

NOTE:  
MARK NO. SIZES ARE SHOWN  
IN STEEL SCHEDULE ON  
'TRUSS DETAILS' DRAWING.

CARSWELL DWG. NO. ST-3

THE ASSOCIATION OF  
PROFESSIONAL ENGINEERS  
OF ALBERTA  
PERMIT NUMBER  
F 442  
CARSWELL ENGINEERING  
LTD.



CARSWELL ENGINEERING LTD. CONSULTING ENGINEERS CALGARY ALBERTA	DESIGNED	DRAWN BY	DATE	CHECKED BY	DATE	STREAM	LOCATION	IMP. NO.	SCALE	FILE NO.	SHEET	DATE
	F.C.	P.R.	OCT 75	E.F.C.	OCT 75				AS NOTED			5-1168
APPROVED						<b>Abena</b> HIGHWAYS AND TRANSPORT BRIDGE BRANCH STANDARD SIGN BRIDGE RAILING DETAILS						
REVISIONS NO. DATE DESCRIPTION BY 11 MAR 76 RELABELLED FROM CARSWELL DWG. R.G.Q. 12 MAR 76 RELABELLED FROM CARSWELL DWG. R.G.Q.						CHIEF BRIDGE ENGINEER DATE						