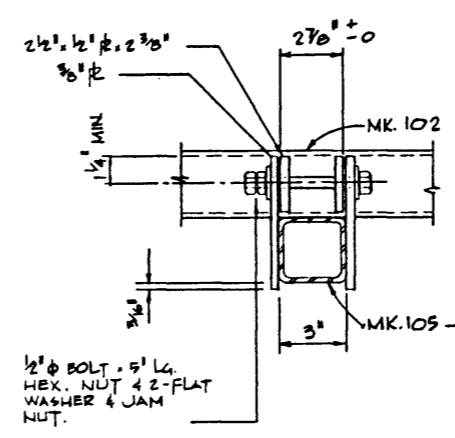


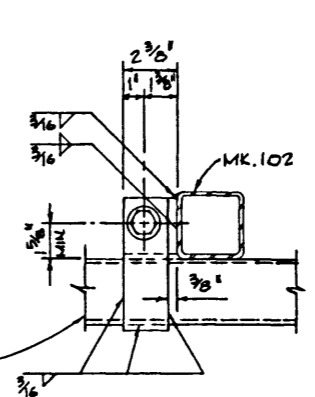
NOTE:  
WALKWAY GRATING TO BE CONTINUOUS (NO SPLICE) OVER AS MANY WALKWAY BRACKETS AS PRACTICABLE CONSISTENT WITH FABRICATION, EASE OF HANDLING, AND ASSEMBLING.

FOR DIM. 'X' SEE GENERAL LAYOUT FOR EACH SIGN STRUCTURE.

WELDED TYPE GRATING WITH 1/4" x 1/8" BEARING BARS @ 1/16" CENTERS AND NON-SLIP CROSS BARS @ 4" CENTERS.

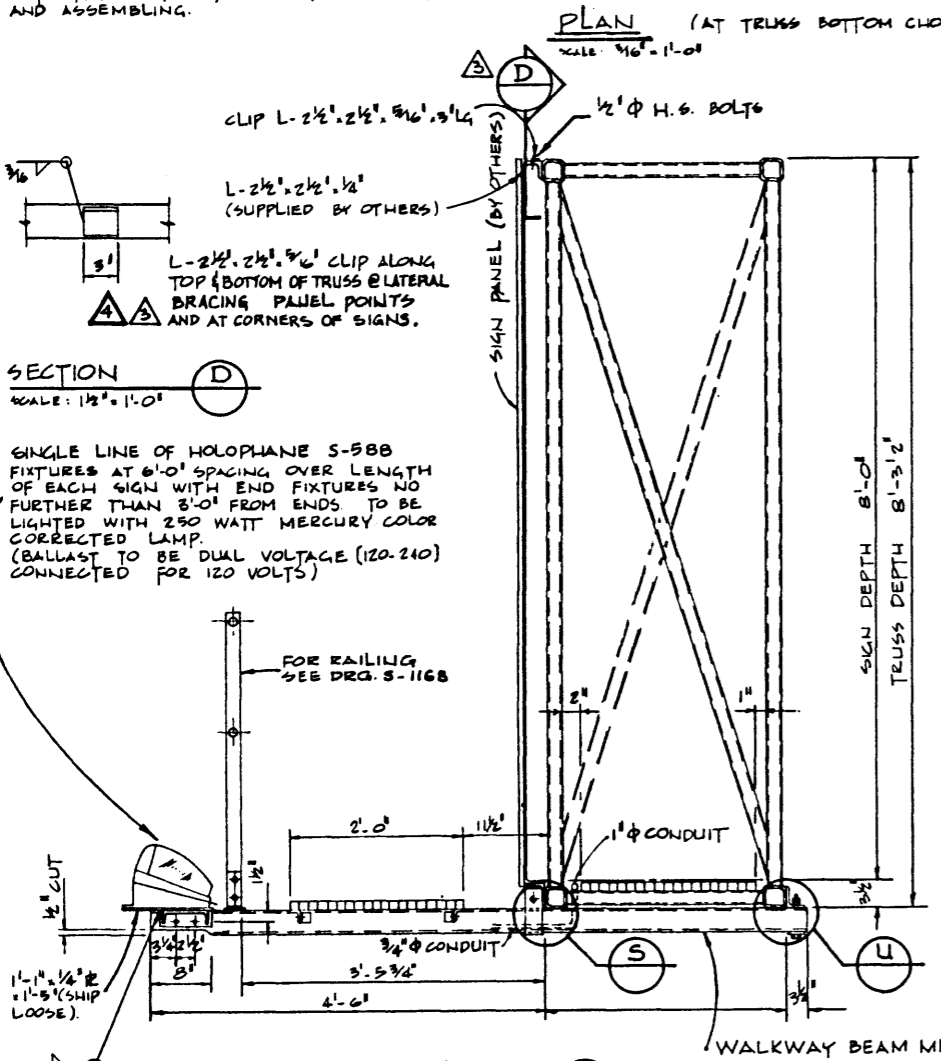


DETAIL S  
SCALE: 3/4" = 1'-0"



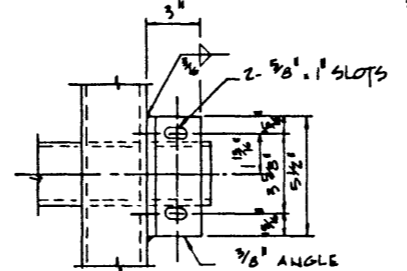
L-1 3/8 x 3/4 x 3/16 - 9/16" - 1/4" L4 HEX HD. BOLT & 2 FLATWASHER, 1 LOCKWASHER & NUT.

DETAIL T  
SCALE: 3/4" = 1'-0"

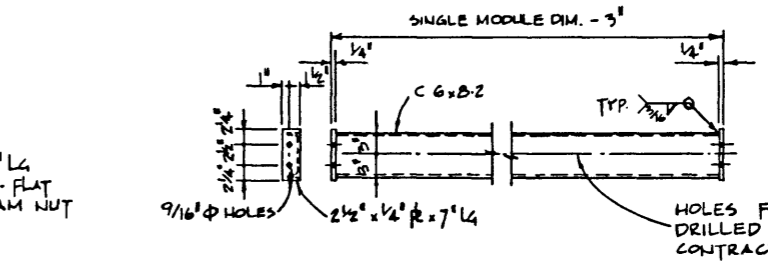


SECTION D  
SCALE: 1/2" = 1'-0"

NOTE:  
MARK NO. SIZES ARE SHOWN IN STEEL SCHEDULE ON "TRUSS DETAILS" DRAWING.



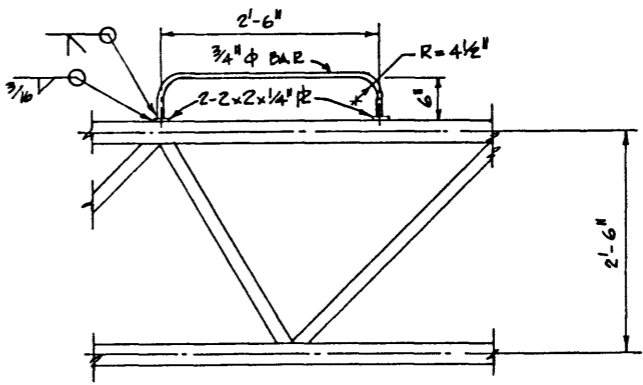
DETAIL U  
SCALE: 3/4" = 1'-0"



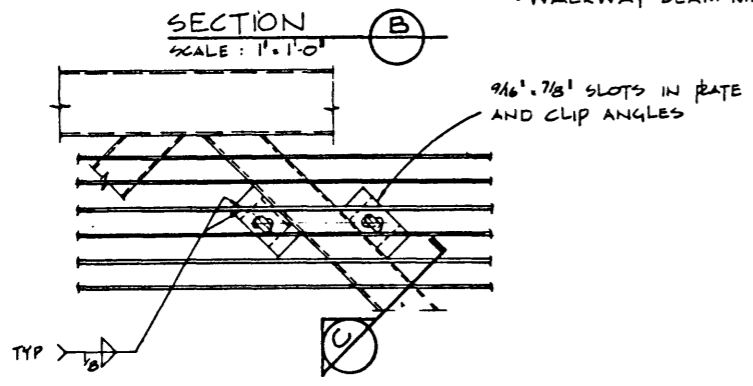
DETAIL V  
SCALE: 1" = 1'-0"

HOLES FOR CONDUIT TO BE DRILLED BY ELECTRICAL CONTRACTOR AS REQUIRED.

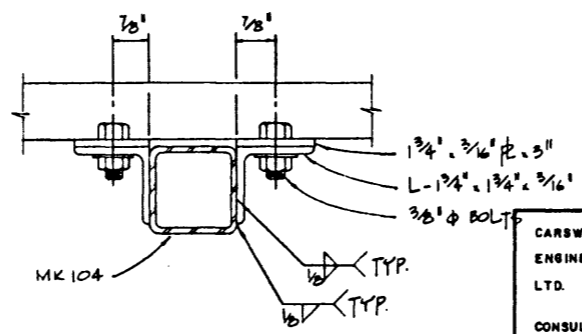
NOTE:  
ELECTRICAL CONDUIT AND BOXES TO BE CONCEALED IN THE PLANE OF THE BOTTOM CHORD



LADDER HOLDER DETAIL X  
SCALE: 1" = 1'-0"



DETAIL W  
SCALE: 3/4" = 1'-0"



SECTION C  
SCALE: 1/2" = 1'-0"

CARSWELL DWG. NO. ST-4

CARSWELL ENGINEERING LTD. CONSULTING ENGINEERS CALGARY ALBERTA	DESIGNED	DRAWN BY	DATE	CHECKED BY	DATE	STREAM	LOCATION	HWY. NO.	SCALE	FILE NO.	SHEET	DWG. NO.
	E.C.	R.B.	OCT. 75	E.F.C.	OCT. 75				AS NOTED		OF	S-1169
	REVISIONS NO. DATE DESCRIPTION BY 06-04-03 CLIP ANGLE LOCATION - SECTION D K.S.T. 04-04-04 CLARIFICATION OF SECTION D K.S.T. 03-07-11 LADDER DETAIL ADDED T.J.S. 11 MAR. 76 RELABELLED FROM CARSWELL DWG. R.G.Q.											
APPROVED						CHIEF BRIDGE ENGINEER		Alberta HIGHWAYS AND TRANSPORT BRIDGE BRANCH <b>STANDARD SIGN BRIDGE</b> <b>WALKWAY DETAILS</b>				