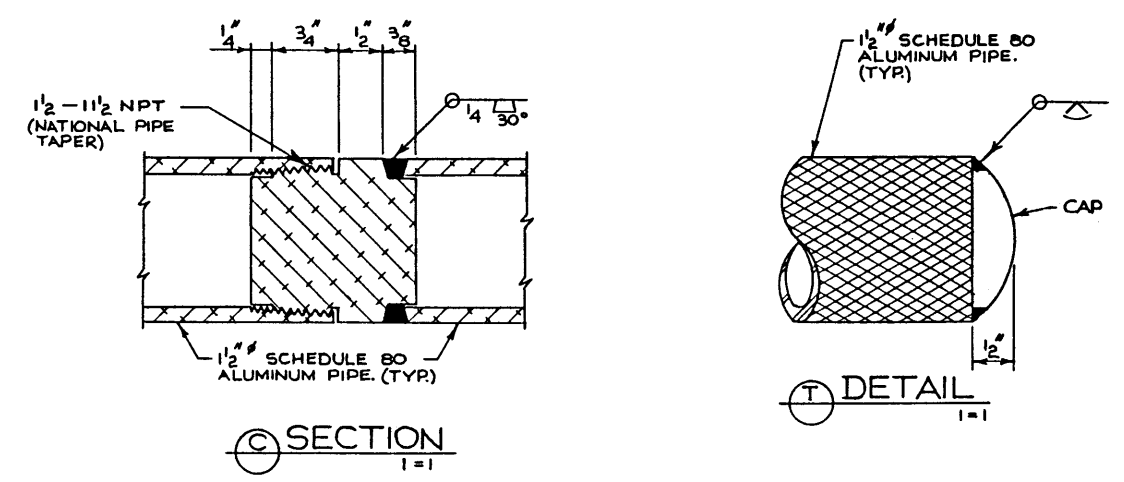
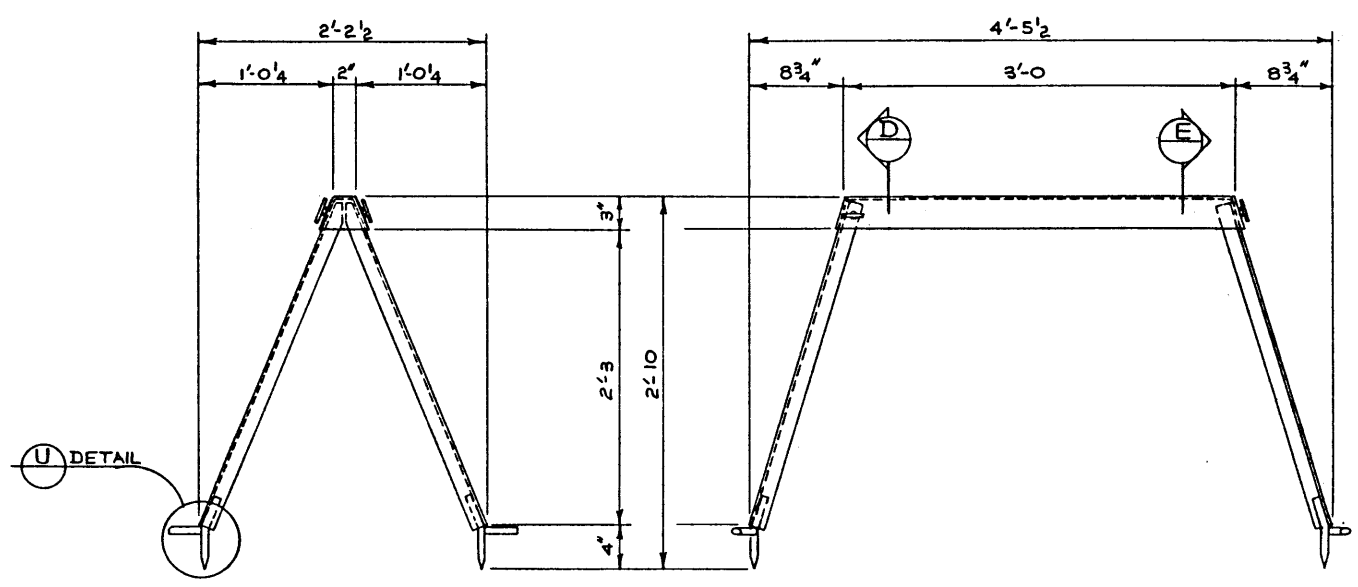


INSTRUMENT ELEVATION
1" = 1'-0"

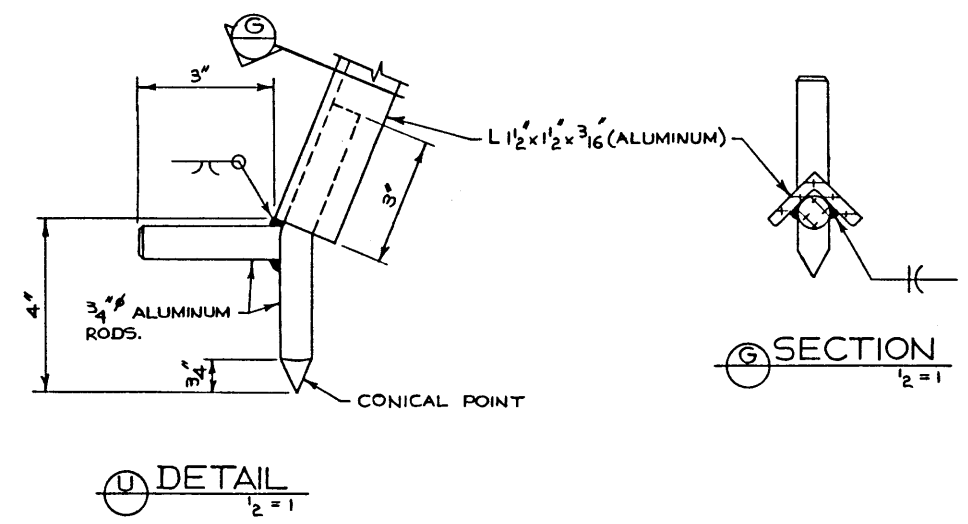


C SECTION
1 = 1

T DETAIL
1 = 1

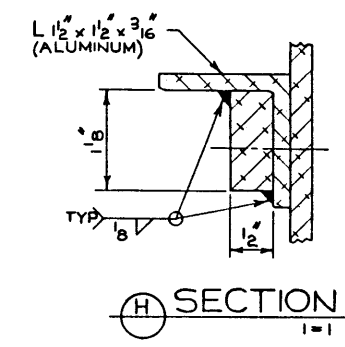


INSTRUMENT SUPPORT
1/8" = 1"



U DETAIL
1/2" = 1"

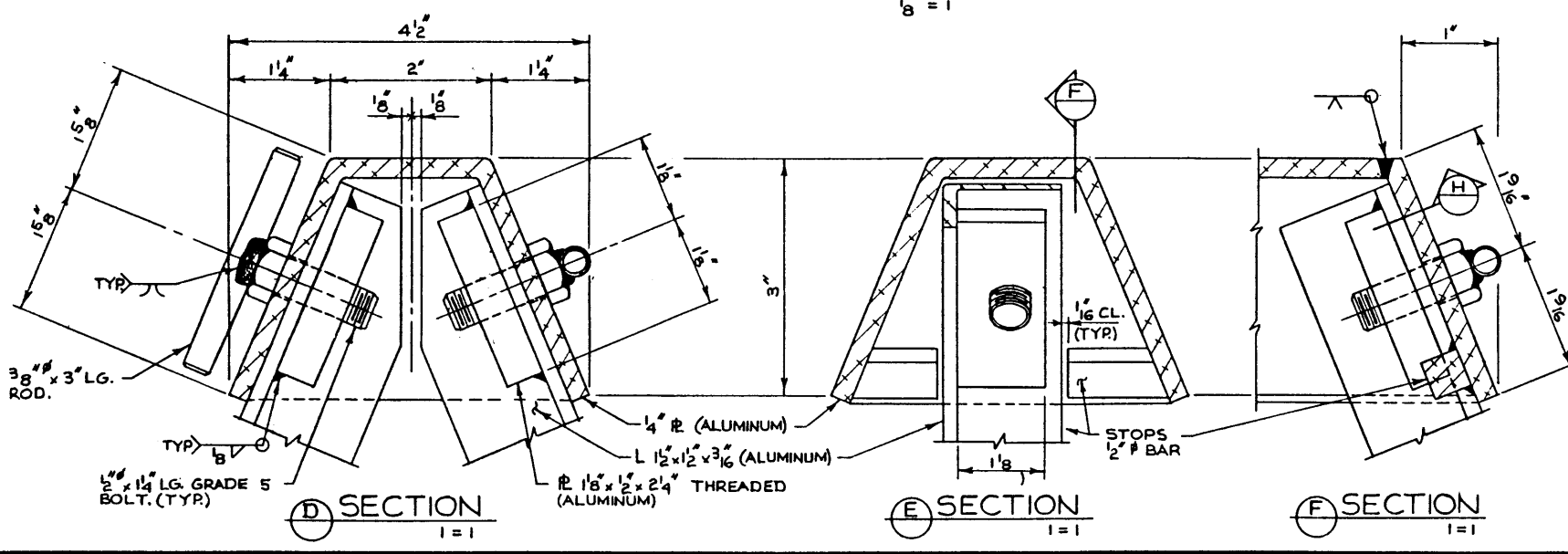
G SECTION
1/2" = 1"



H SECTION
1" = 1"

GENERAL NOTES

- SHOULD SLIPPAGE OR GOUGING OCCUR BETWEEN KNURLED PIPE AND TOP OF SAWHORSE DURING INITIAL USE, A STRIP OF NEOPRENE SHALL BE FASTENED TO THE TOPS OF THE SAWHORSES, SUCH AS TO PREVENT THESE OCCURENCES.



D SECTION
1 = 1

E SECTION
1 = 1

F SECTION
1 = 1

DESIGNED C. W. PETERSON				DRAWN BY W. S.		DATE 79-08-14		CHECKED BY		DATE		APPROVED		Alberta TRANSPORTATION BRIDGE BRANCH EXTENSION INSTRUMENT FOR PILING SET-REBOUND MEASUREMENTS - SHEET #2	
REVISIONS												CHIEF BRIDGE ENGINEER		DATE	
NO.	DATE	DESCRIPTION													
DESIGNED	DRAWN BY	DATE	CHECKED BY	DATE	STREAM	LOCATION	HWY NO.	SCALE	FILE NO.	SHEET	DWG NO.				
					SHOWN					22	S-1181				