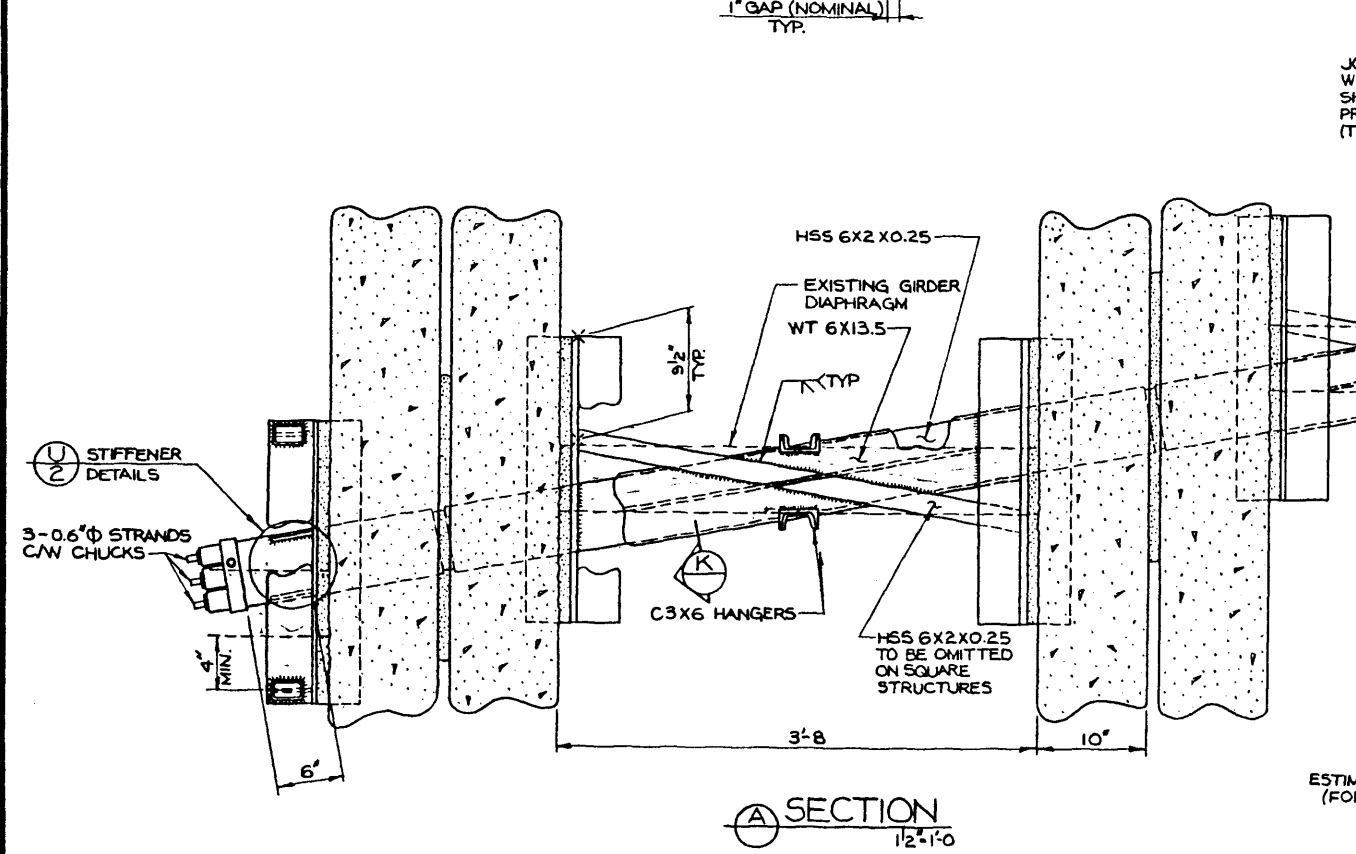
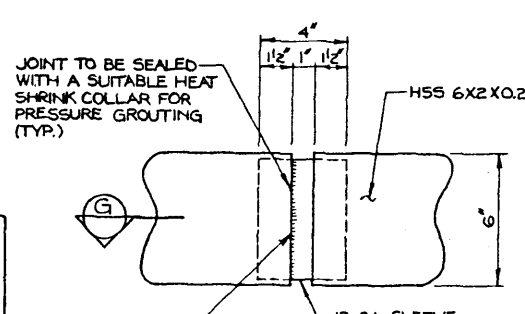


ELEVATION
12'-1"0

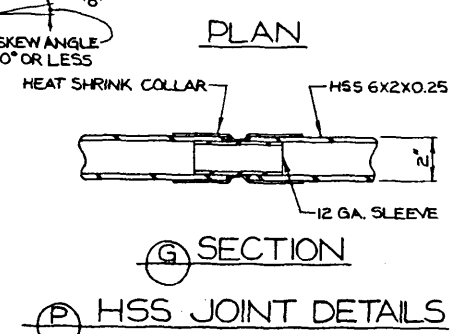


SECTION A-A
12'-1"0

ESTIMATED WEIGHT - 354 LBS/BAY
(FOR 10° SKEW)

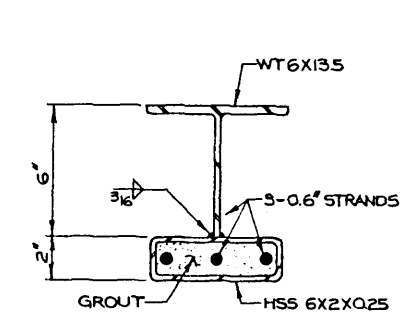


PLAN

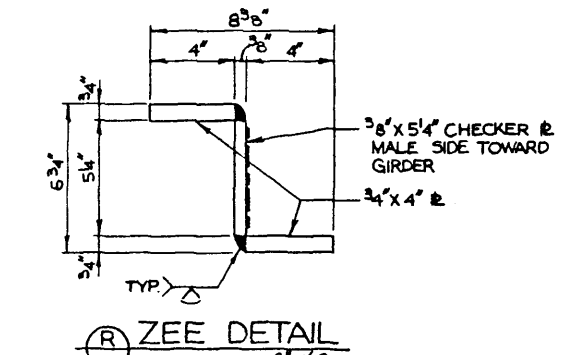


SECTION G-G

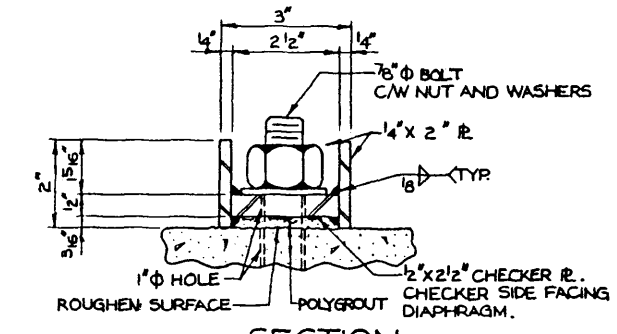
HSS JOINT DETAILS



SECTION K-K
3'-1"0



ZEE DETAIL R-R
3'-1"0



SECTION C-C
6'-1"0

FOR USE WITH SKEWS 10° OR LESS.

• WORK THIS DRAWING IN CONJUNCTION WITH DWG. S-1183

DESIGNED C.W. PETERSON				DRAWN BY D.K.O.		DATE 79 07 25		CHECKED BY		DATE		STREAM		LOCATION		HWY NO		SCALE SHOWN		FILE NO		SHEET 1 OF 2		DWG NO S-1182	
APPROVED												CHIEF BRIDGE ENGINEER													
REVISIONS												DATE													
<p>Albera TRANSPORTATION BRIDGE BRANCH</p> <p>LATERAL PRE-STRESSING ATTACHMENT FOR VF GIRDERS DETAILS - SHEET #1</p>																									