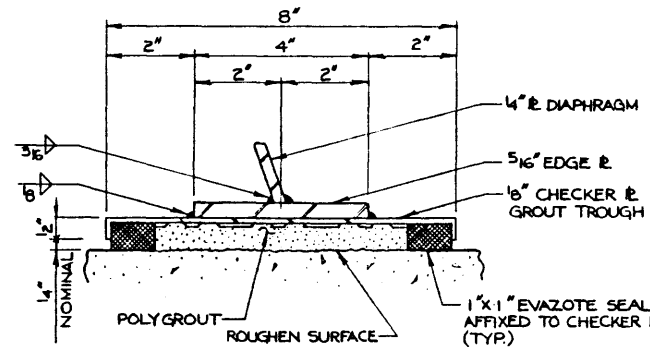


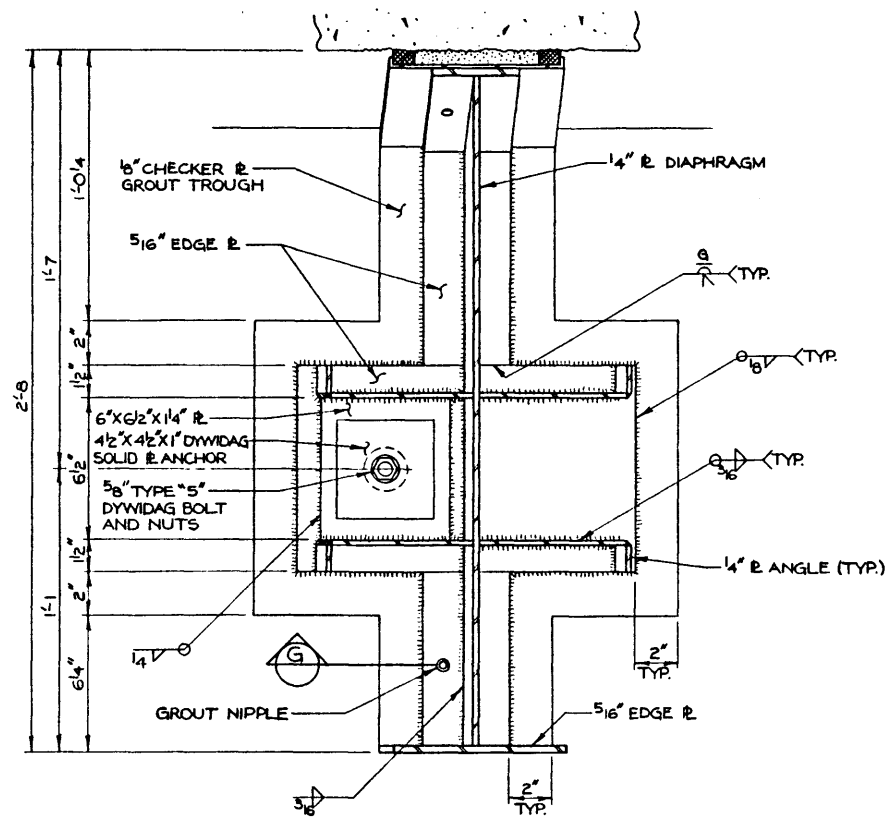
ELEVATION

F SECTION

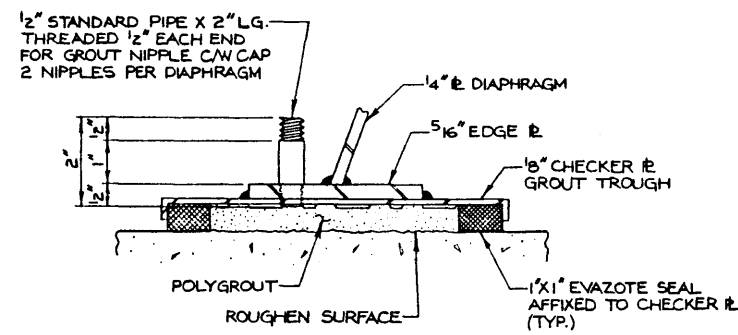
Q END R DETAILS
6'-1'-0"



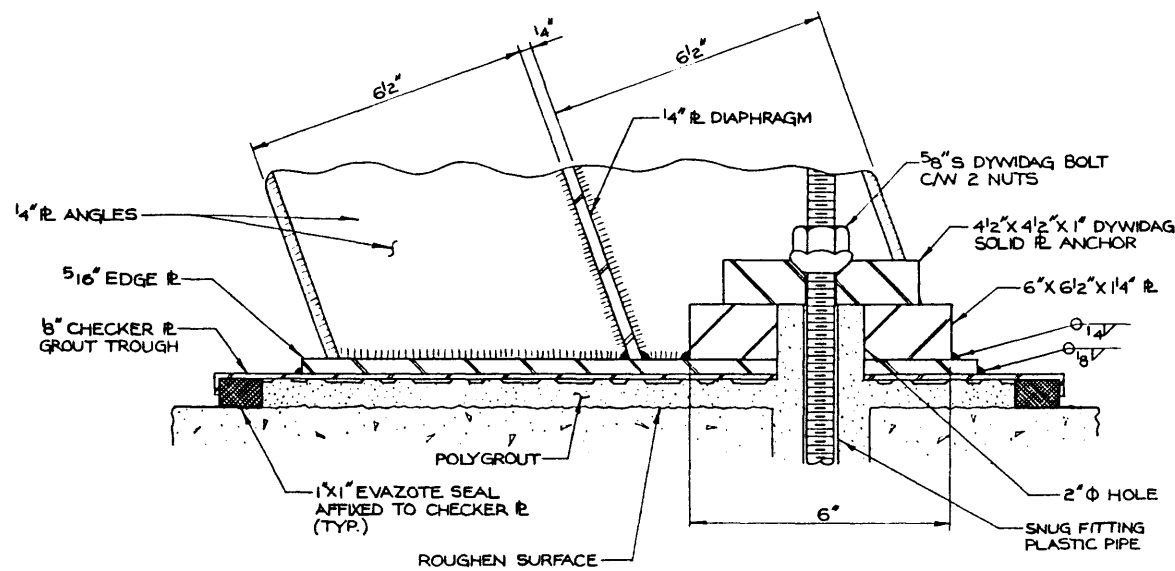
D SECTION
6'-1'-0"



B SECTION
3'-1'-0"



G SECTION
6'-1'-0"



E SECTION
6'-1'-0"

WORK THIS DRAWING IN CONJUNCTION WITH DWG. S-1186

DESIGNED C.W. PETERSON		DRAWN BY D.K.O.	DATE 79 08 07	CHECKED BY	DATE	APPROVED	Alberta TRANSPORTATION BRIDGE BRANCH STEEL DIAPHRAGM ATTACHMENT FOR VF GIRDERS DETAILS - SHEET #2					
REVISIONS						CHIEF BRIDGE ENGINEER	SHEET 2 OF 2 S-1187					
NO	DATE	DESCRIPTION				DATE	STREAM	LOCATION	HWY. NO	SCALE SHOWN	FILE NO	DWG NO