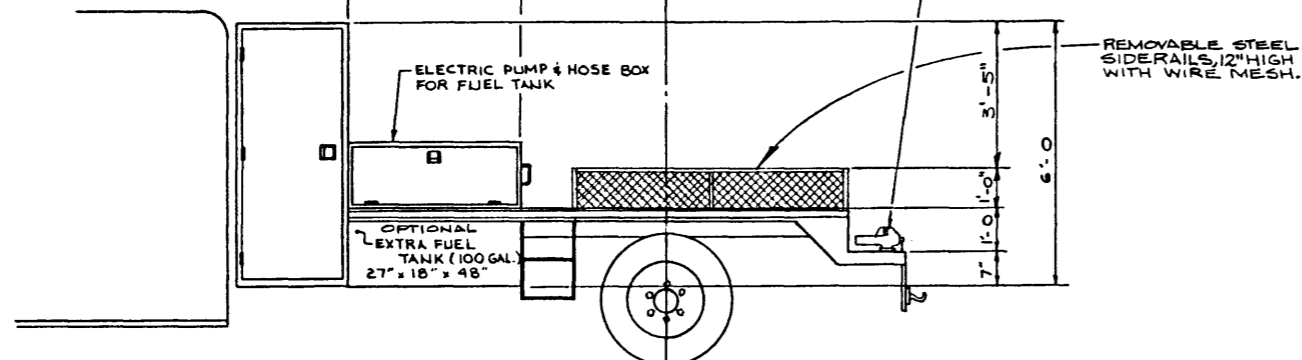
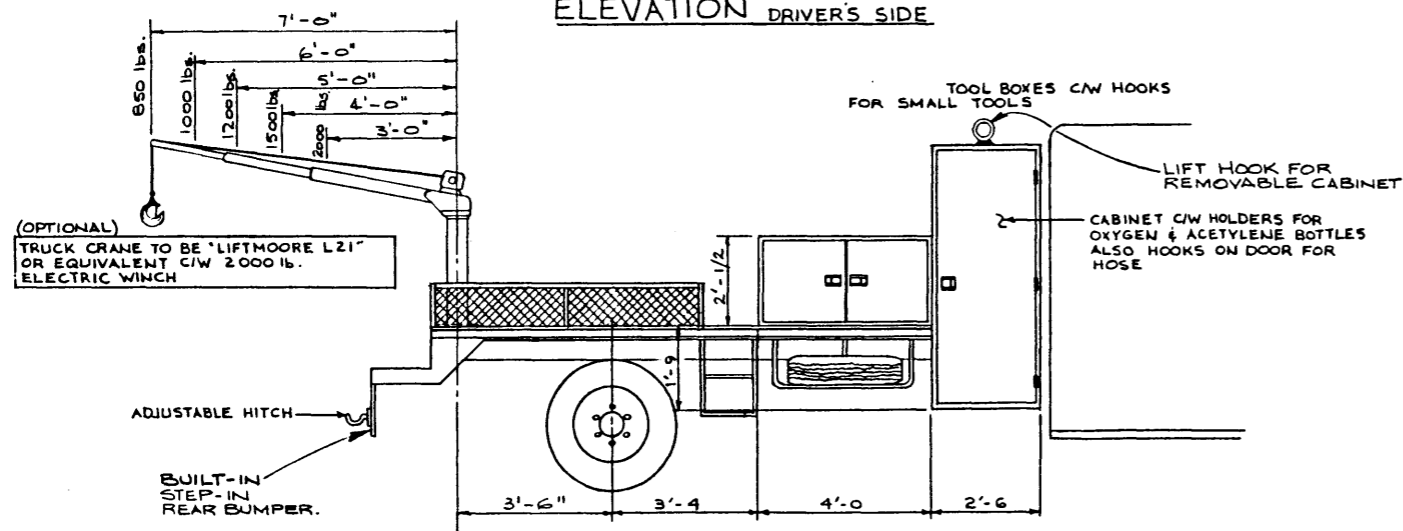


PLAN



ELEVATION DRIVER'S SIDE

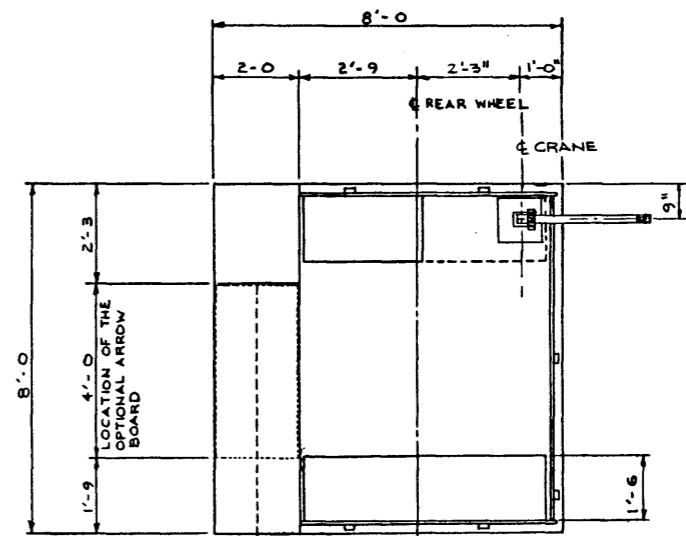


ELEVATION PASSENGER'S SIDE

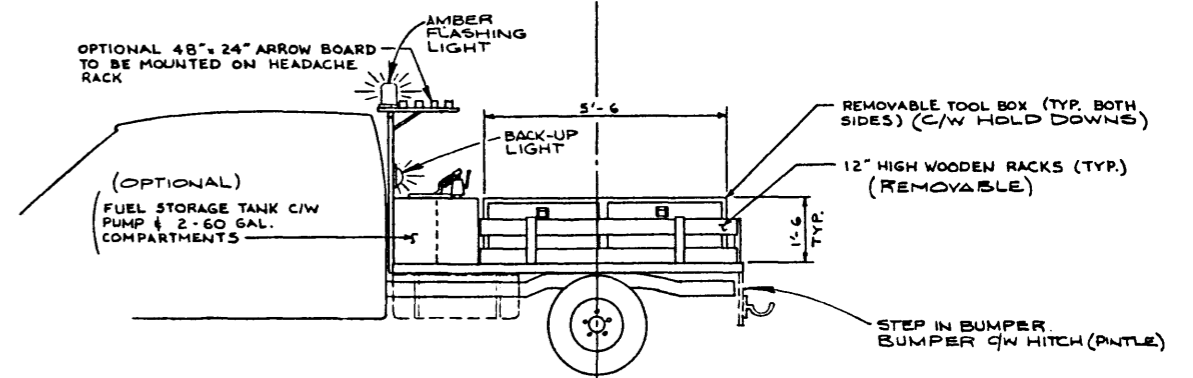
DECK FOR 25 000 GVW CREW CAB

NOTE: DECK TO BE BUILT SO IT CAN BE TRANSFERRED WHEN TRUCK IS REPLACED.

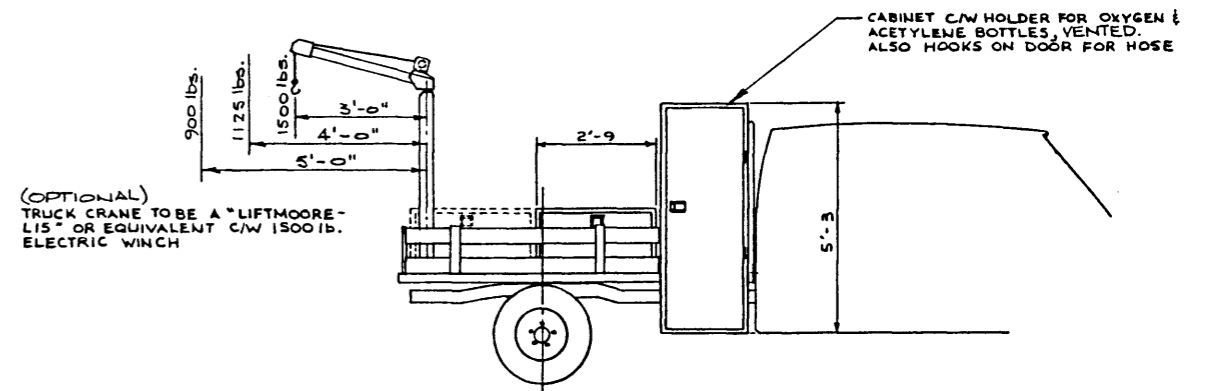
- OPTIONS:
- REMOVABLE SIGN RACK
  - FRONT & REAR TOWING HOOKS
  - HOLDERS FOR HAZZARDOUS GOODS PLAQUARDS.



PLAN



ELEVATION DRIVER'S SIDE



ELEVATION PASSENGER'S SIDE

DECK FOR 10 000 G.V.W. CREW CAB

NOTE: DECK TO BE BUILT SO IT CAN BE TRANSFERRED WHEN TRUCK IS REPLACED

DESIGNED J.B. C.W.				DRAWN D.B.C. H.W.M.				DATE 89-05-24				CHECKED				DATE				STREAM				LOCATION				HIGHWAY				JOB No. U 657 B				SHEET of				DRAWING S-1196																							
REVISIONS																APPROVED																																															
REV																DATE																DESCRIPTION																BY															
PRELIM																EXECUTIVE DIRECTOR BRIDGE ENGINEERING																																															