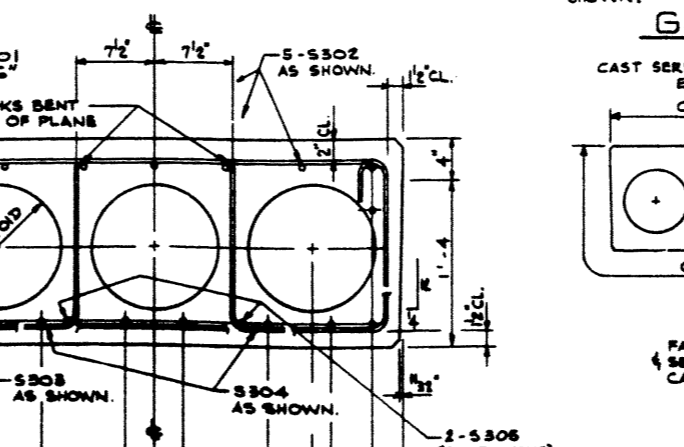
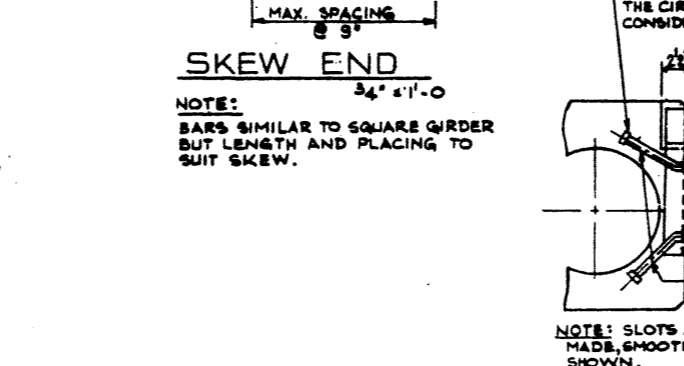
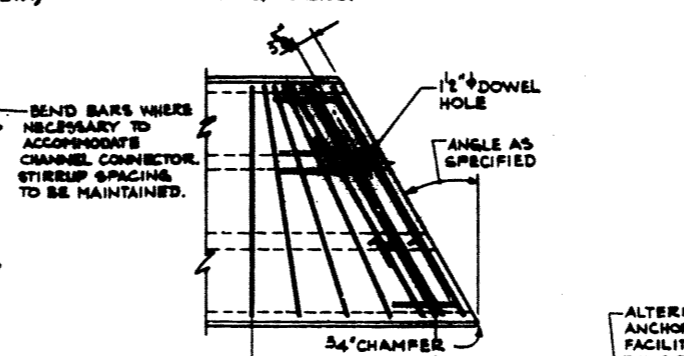


NOTE:
12" Voids to be sealed at ends. Seal to be water-proof and sealing method to be approved by the engineer.

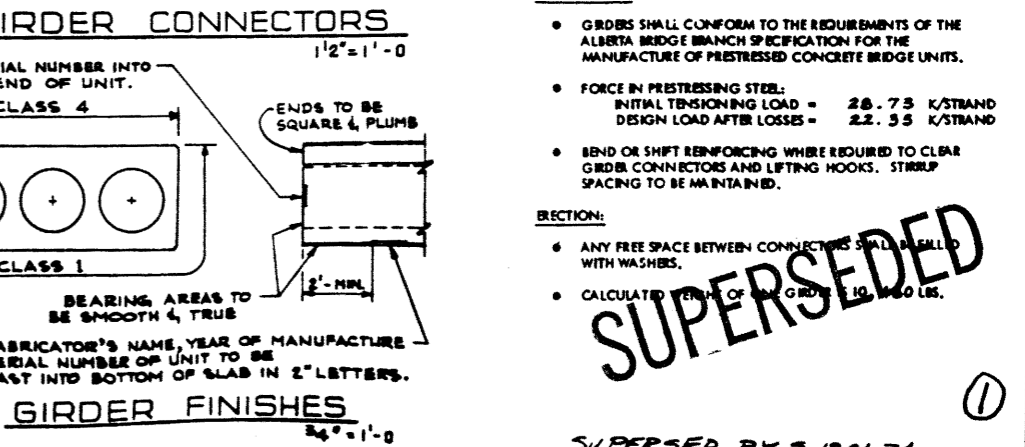
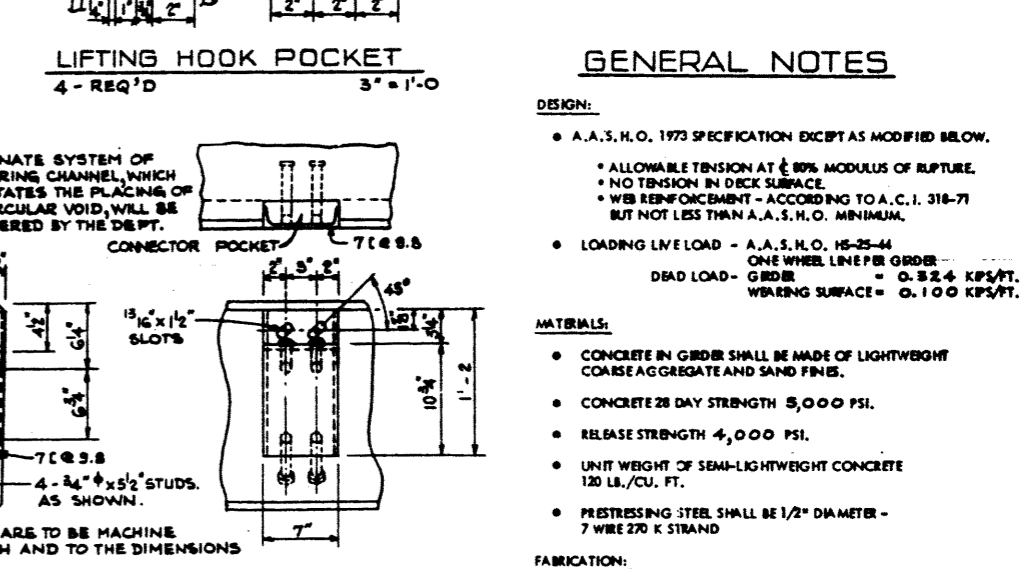
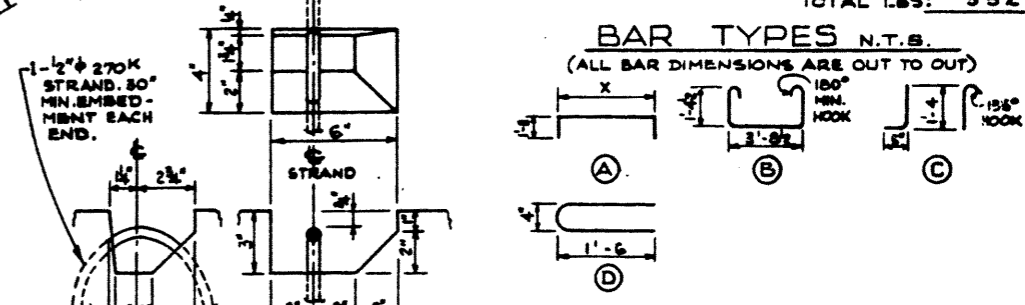
NOTE:
12 - 1/2" #7 WIRE STRAND, REQUIRED PER GIRDER.



BAR LIST: FOR UNSKEWED GIRDER

MARK	SIZE	NO.	TYPE	X	Y	LENGTH	WEIGHT
S 301	3	38	A	3'-6 1/2"		9'-9"	84
S 302	3	5	STR.			19'-8"	37
S 303	3	41	B			7'-4"	113
S 304	3	30	C			2'-1"	63
S 305	3	2	STR.			19'-4"	15
E 401	4	6	D	3'-4"		3'-4"	13
E 402	4	2	A	3'-4"		3'-4"	7

TOTAL LBS: 332



SUPERSEDED

SUPERSEDED BY 5-1201-74

APPROVED

20 FT. TYPE VS-20 INTERIOR GIRDER SEMI-LIGHTWT. CONCRETE

5-1201