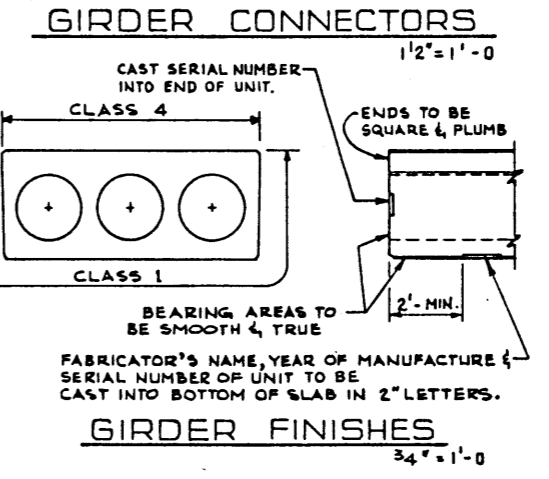
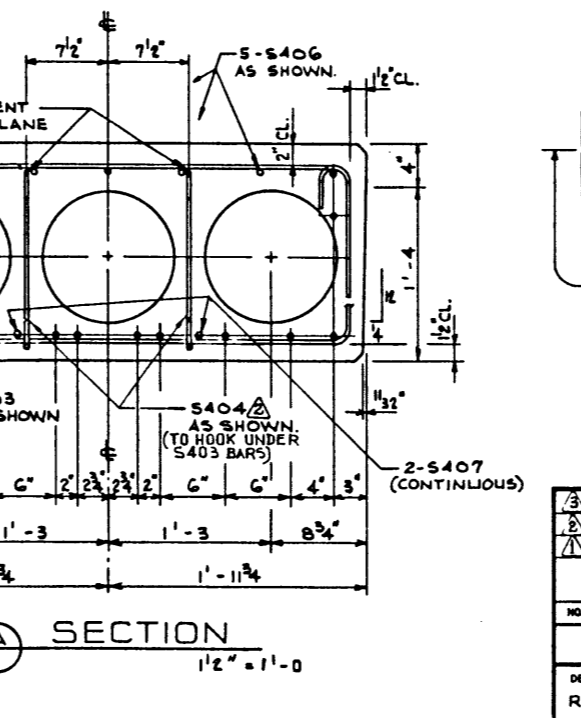
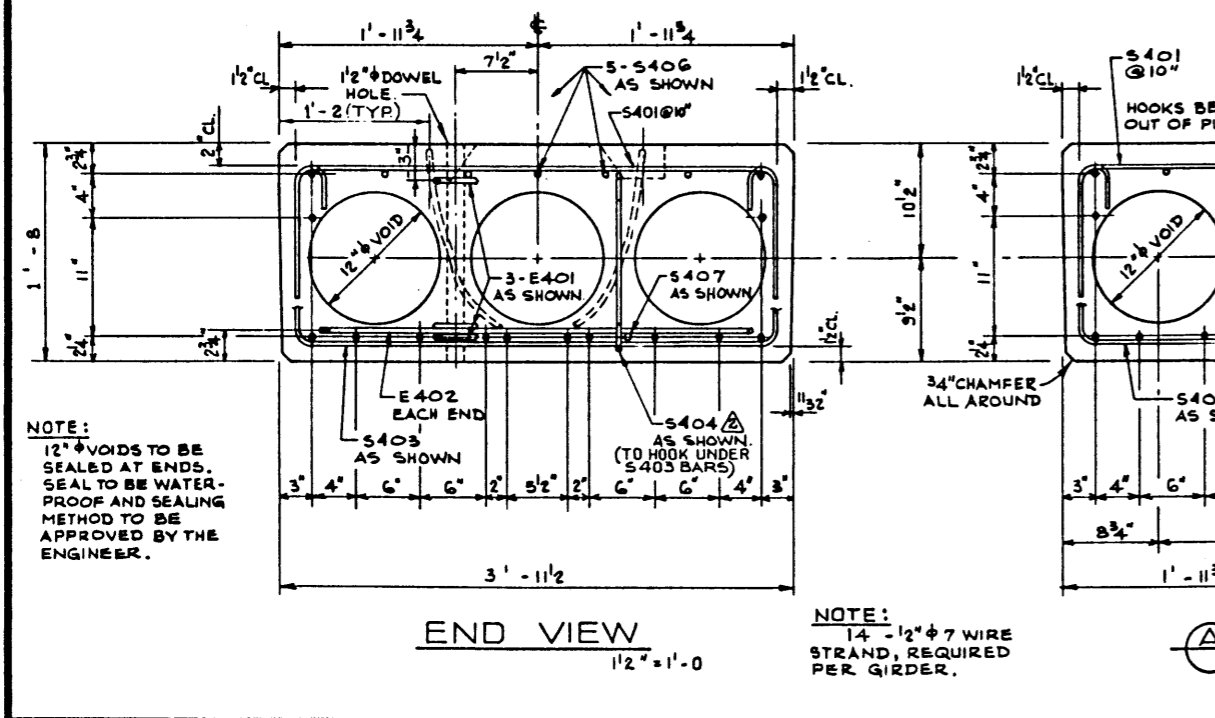
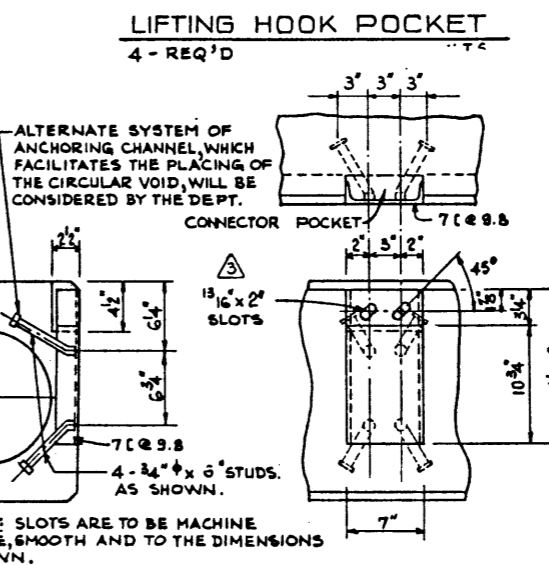
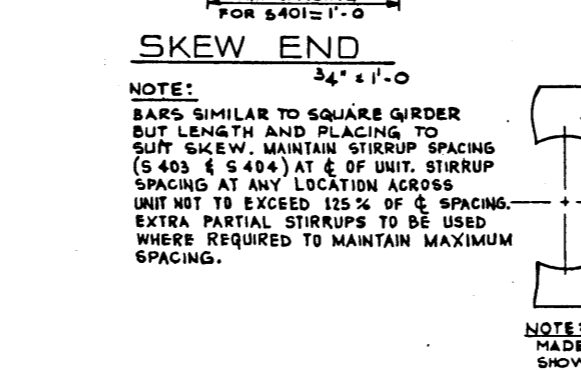
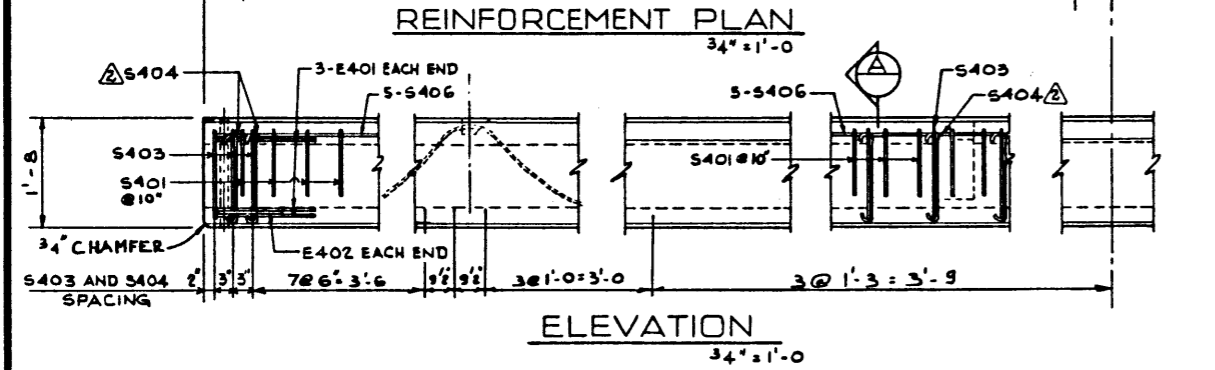
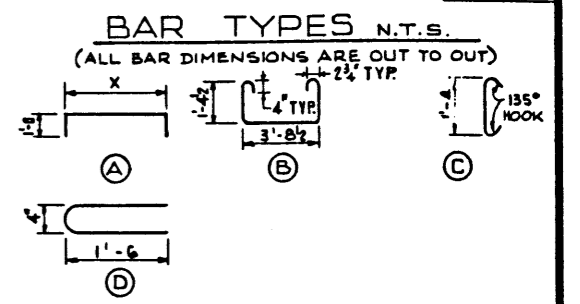
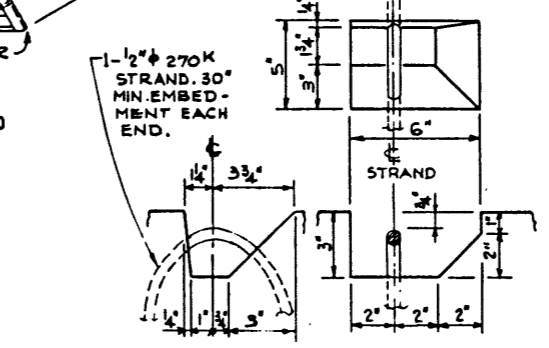
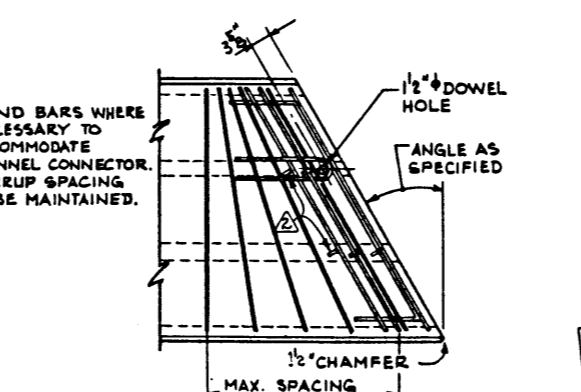
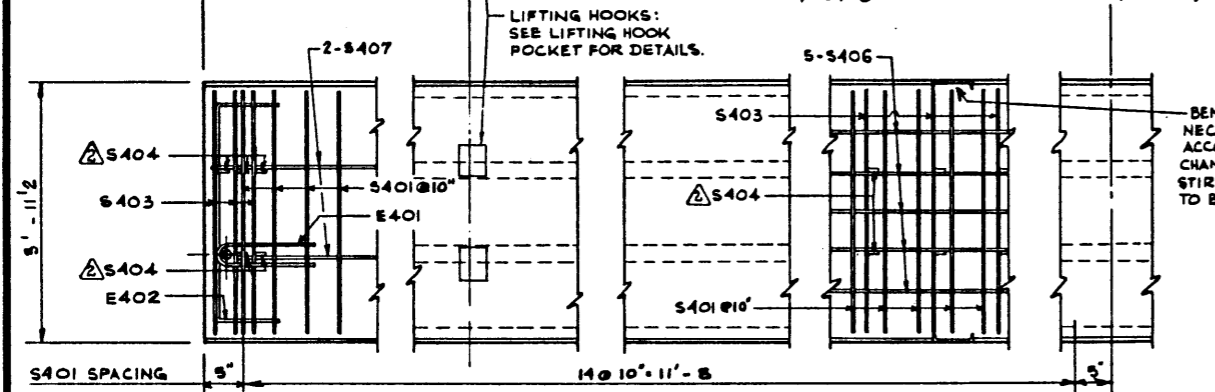


BAR LIST: FOR UNSKEWED GIRDER

MARK	SIZE	NO.	TYPE	X	Y	LENGTH	WEIGHT
S 401	4	30	A	3'-8 1/2"		5'-9"	115
S 406	4	5	STR			24'-8"	82
S 403	4	35	B			7'-4"	171
S 404	4	6B	C			2'-1"	95
S 407	4	2	STR			24'-4"	33
E 401	4	6	D			3'-4"	13
E 402	4	2	A	3'-4"		5'-4"	7

TOTAL LBS: 516



77 09 02	1/2" SLOTS CHANGED TO 2" LG.	R.W.K.	APPROVED		Albera HIGHWAYS AND TRANSPORT BRIDGE BRANCH 25FT. TYPE VS-20 INTERIOR GIRDER SEMI-LIGHTWT. CONCRETE
22 JAN 76	BAR S404 REPRESENTATION CORRECTED	R.G.Q.			
DEC 2 74	REDRAWN FROM 5-1209-74 REV. POST SPACING, LIFTING HOOKS (CONNECTORS & CENTRE STIRRUP).	R.G.Q.			
NO.	DATE	DESCRIPTION	BY	DATE	
DESIGNED	DRAWN BY	DATE	CHECKED BY	DATE	STREAM
R.G.Q.	M.H.	NOV 74			LOCATION
					HWY. NO.
					SCALE
					FILE NO.
					SHEET
					DWG. NO.
					S-120374A