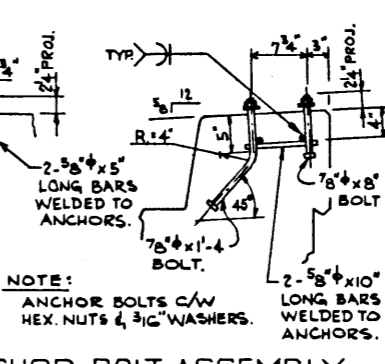
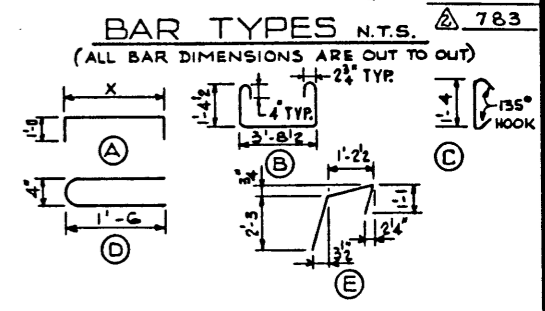
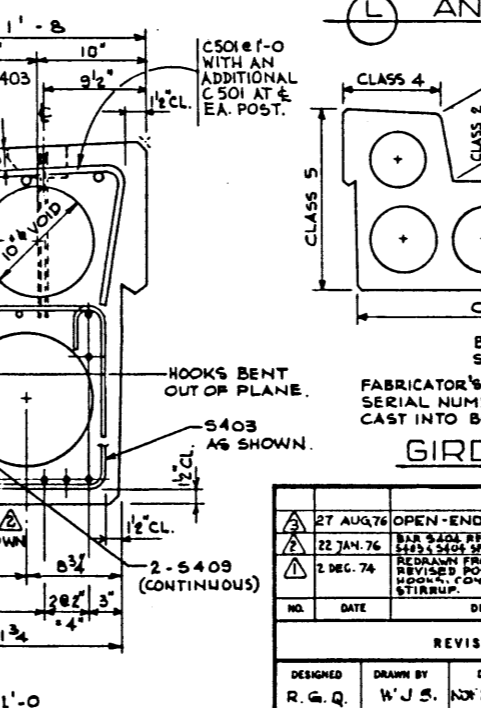
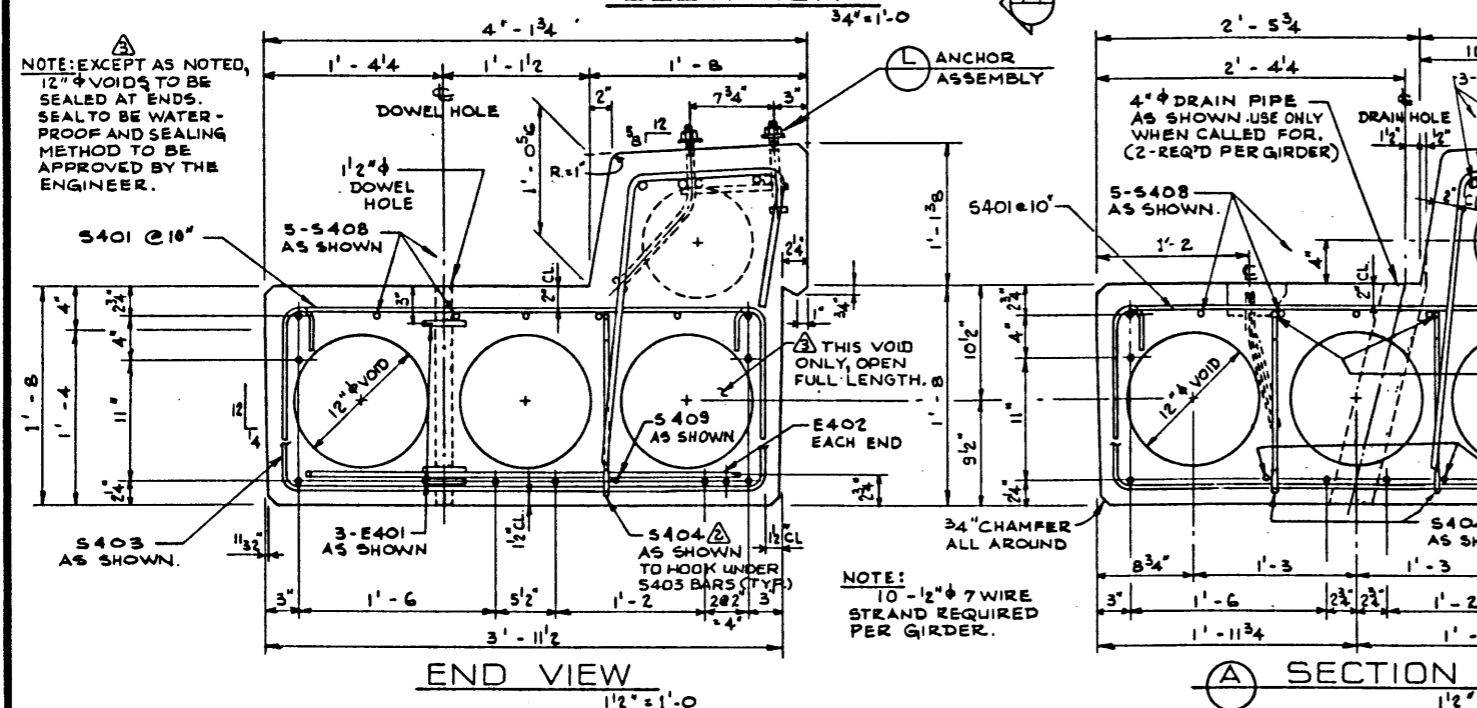
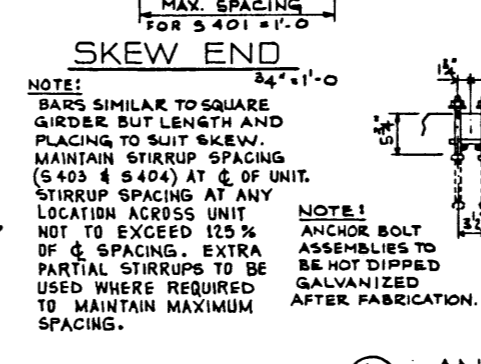
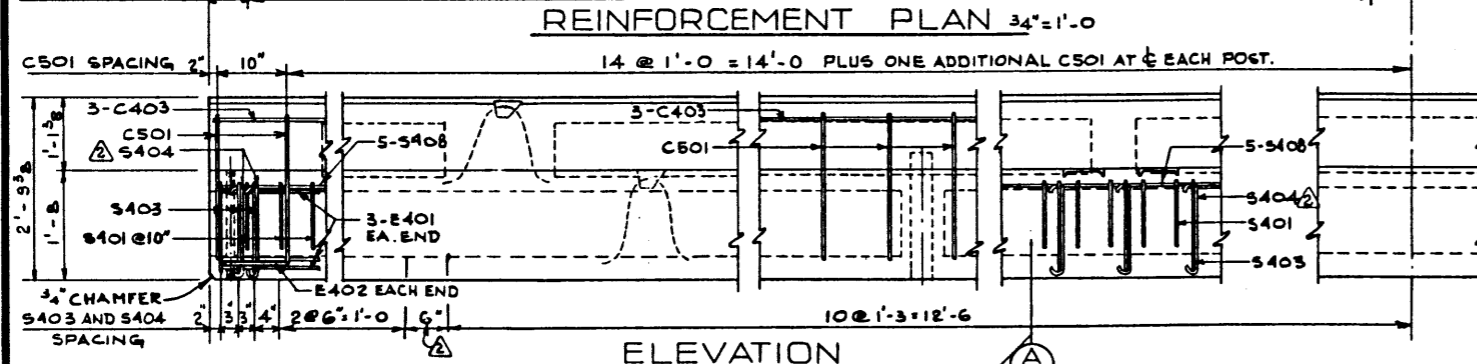
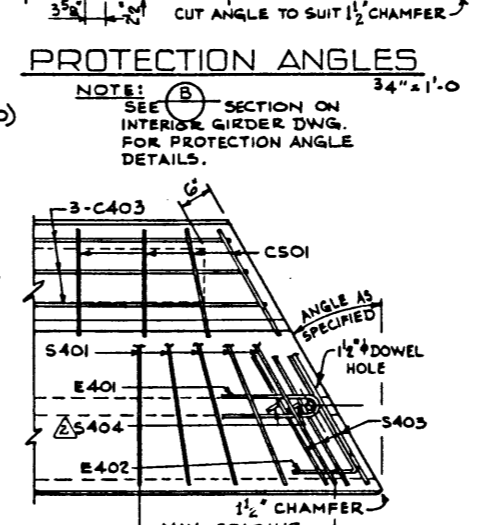
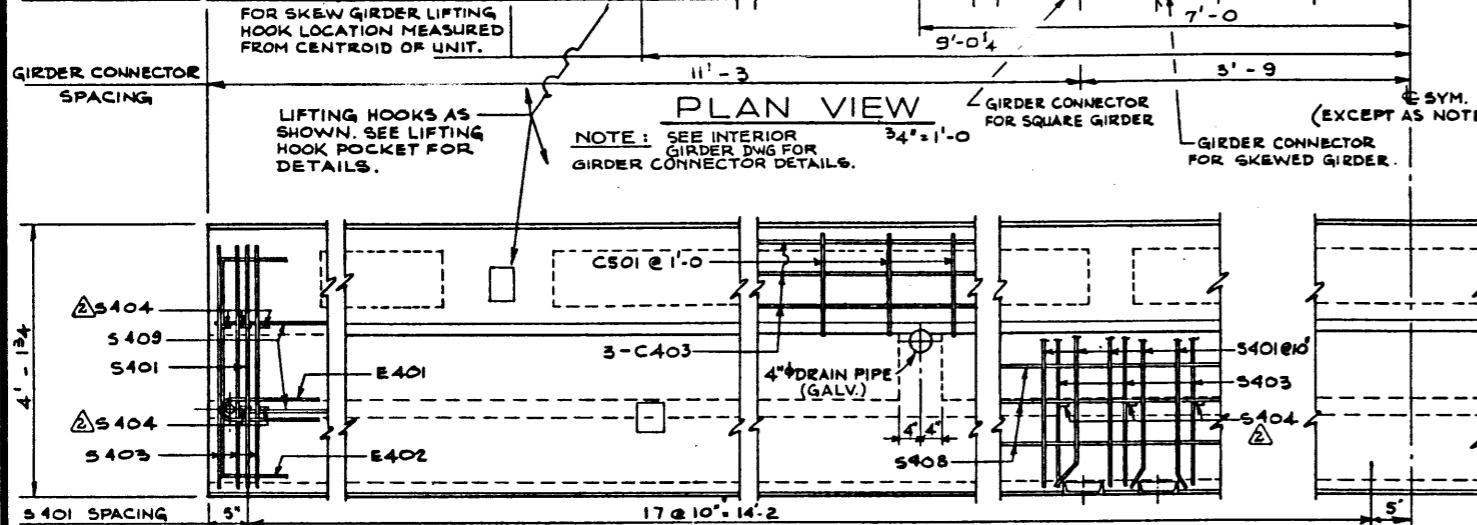


BAR LIST: FOR UNSKEWED GIRDER

MARK	SIZE	NO.	TYPE	X	Y	LENGTH	WEIGHT
S 401	4	36	A	3'-8 1/2"		5'-9"	138
S 408	4	5	STR			29'-8"	99
S 403	4	33	B			7'-4"	152
S 404	4	6	C			2'-1"	89
S 409	4	2	STR			29'-4"	39
E 401	4	6	D			3'-4"	13
E 402	4	2	A	3'-4"		5'-4"	7
C 403	4	3	STR			29'-8"	59
C 501	5	37	E			4'-7"	177

TOTAL LBS: 757



NO.	DATE	DESCRIPTION	BY
27	AUG 76	OPEN ENDED VOID	RWK
22	JAN 76	BAR S 404 REPRESENTATION CORRECTED	R.G.Q.
2	DEC 74	REDESIGNED FROM 30" TO 34" DEPTH REVISED POST SPACING, LIFTING HOOK, CONNECTOR AND CENTRE STIRRUP.	P.G.Q.

APPROVED

DATE: Dec, 1974

DESIGNED	DRAWN BY	DATE	CHECKED BY	DATE	STREAM	LOCATION	HWY. NO.	SCALE	FILE NO.	SHEET	DWG. NO.
R.G.Q.	W.J.S.	NOV 25, 1974						SHOWN		OF	S1206-74A