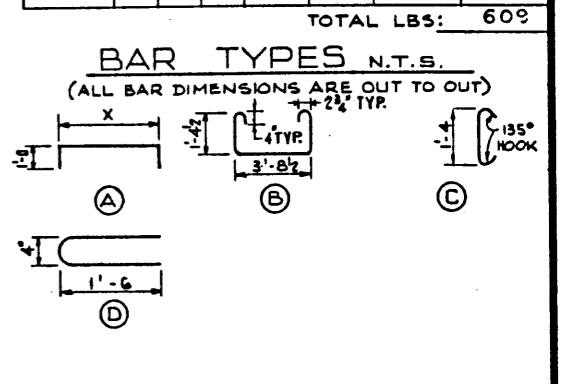


NO.	DATE	DESCRIPTION	BY
77 09 02		1/2" LG SLOTS CHANGED TO 2" LG.	R.W.K.
22 JAN. 76		BAR S404 REPRESENTATION CORRECTED	R.G.Q.
DEC. 2 74		REVISION FROM 5 1507-1A REV. R.G.Q.	
		POST SPACING, LIFTING HOOKS, CONNECTORS & CENTRE STIRRUP.	

DESIGNED: R.G.Q. DRAWN BY: M.P.F. DATE: NOV. 74 CHECKED BY: DATE: STREAM: LOCATION: MPY. NO. SCALE: FILE NO. SHEET: DIV. NO. S-1207-74A

BAR LIST: FOR UNSKEWED GIRDER							
MARK	SIZE	NO.	TYPE	X	Y	LENGTH	WEIGHT
S 401	4	42	A	3'-8 1/2"		5'-9"	161
S 410	4	5	STR.			34'-8"	116
S 403	4	33	B			7'-4"	171
S 404	4	68	C			2'-1"	95
S 411	4	2	STR.			34'-4"	46
E 401	4	6	D			3'-4"	13
E 402	4	2	A	3'-4"		5'-4"	7

TOTAL LBS: 609



GENERAL NOTES

- DESIGN:
- A.A.S.H.O. 1973 SPECIFICATION EXCEPT AS MODIFIED BELOW.
 - ALLOWABLE TENSION AT 80% MODULUS OF RUPTURE.
 - NO TENSION IN DECK SURFACE.
 - WEB REINFORCEMENT - ACCORDING TO A.C.I. 318-71 BUT NOT LESS THAN A.A.S.H.O. MINIMUM.
 - LOADING LIVE LOAD - A.A.S.H.O. HS-20-44 ONE WHEEL LINE PER GIRDER
 - DEAD LOAD - GIRDER = 0.524 KPS/FT. WEARING SURFACE = 0.100 KPS/FT.
- MATERIALS:
- CONCRETE IN GIRDER SHALL BE MADE OF LIGHTWEIGHT COARSE AGGREGATE AND SAND FINES.
 - CONCRETE 28 DAY STRENGTH 5,000 PSI.
 - RELEASE STRENGTH 4,000 PSI.
 - UNIT WEIGHT OF SEMI-LIGHTWEIGHT CONCRETE 120 LB./CU. FT.
 - PRESTRESSING STEEL SHALL BE 1/2" DIAMETER - 7 WIRE 270 K STRAND
- FABRICATION:
- GIRDERS SHALL CONFORM TO THE REQUIREMENTS OF THE ALBERTA BRIDGE BRANCH SPECIFICATION FOR THE MANUFACTURE OF PRESTRESSED CONCRETE BRIDGE UNITS.
 - FORCE IN PRESTRESSING STEEL:
 - INITIAL TENSIONING LOAD = 28.73 K/STRAND
 - DESIGN LOAD AFTER LOSSES = 20.83 K/STRAND
 - BEND OR SHIFT REINFORCING WHERE REQUIRED TO CLEAR GIRDER CONNECTORS AND LIFTING HOOKS. STIRRUP SPACING TO BE MAINTAINED.
- SECTION:
- ANY FREE SPACE BETWEEN CONNECTORS SHALL BE FILLED WITH WASHERS.
 - CALCULATED WEIGHT OF ONE GIRDER IS 18,340 LBS.

Alberta HIGHWAYS AND TRANSPORT BRIDGE BRANCH

35FT. TYPE VS-20 INTERIOR GIRDER SEMI-LIGHTWT. CONCRETE

APPROVED

DATE: 11/74

REVISIONS

DESIGNED: R.G.Q. DRAWN BY: M.P.F. DATE: NOV. 74 CHECKED BY: DATE: STREAM: LOCATION: MPY. NO. SCALE: FILE NO. SHEET: DIV. NO. S-1207-74A