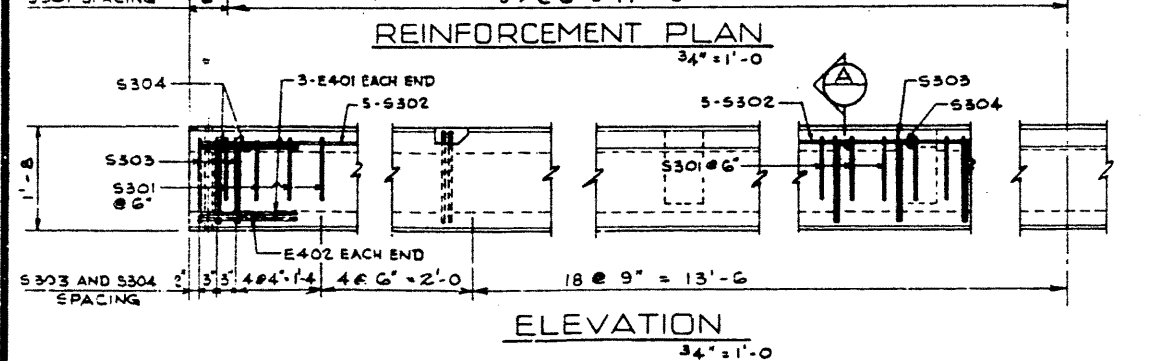
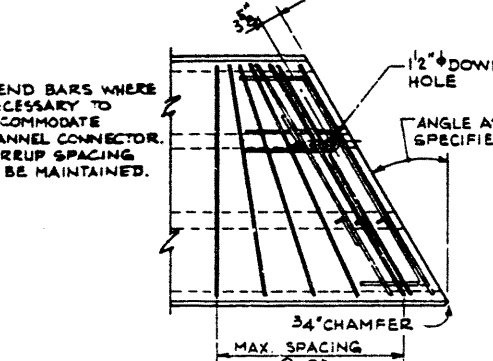
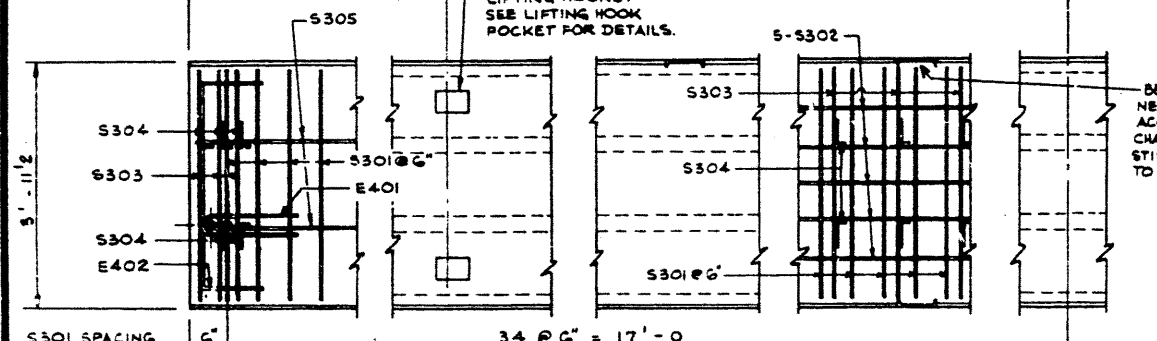


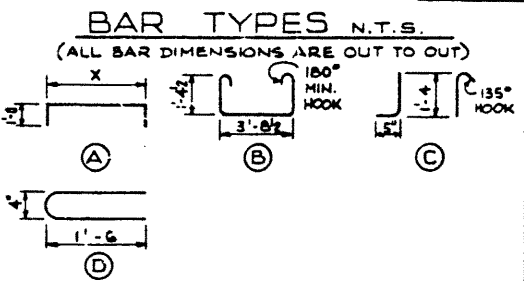
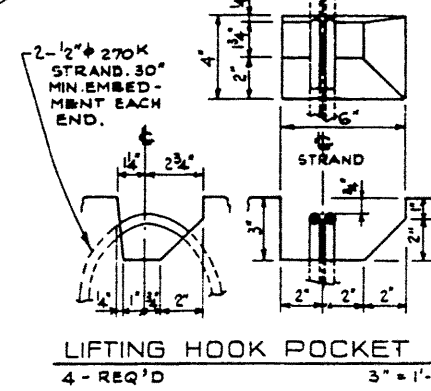
**PROTECTION ANGLES**  
TO BE SUPPLIED BOTH ENDS OF ALL GIRDERS.  
34" x 1'-0"

MARK	SIZE	NO.	TYPE	X	Y	LENGTH	WEIGHT
S 301	3	69	A	3'-8 1/2"		5'-8	149
S 302	3	10	STR.			17'-10	67
S 303	3	57	B			7'-4	157
S 304	3	112	C			2'-1	88
S 305	3	4	STR.			17'-8	27
E 401	4	6	D			3'-4	13
E 402	4	2	A	3'-4		5'-4	7

TOTAL LBS: 508

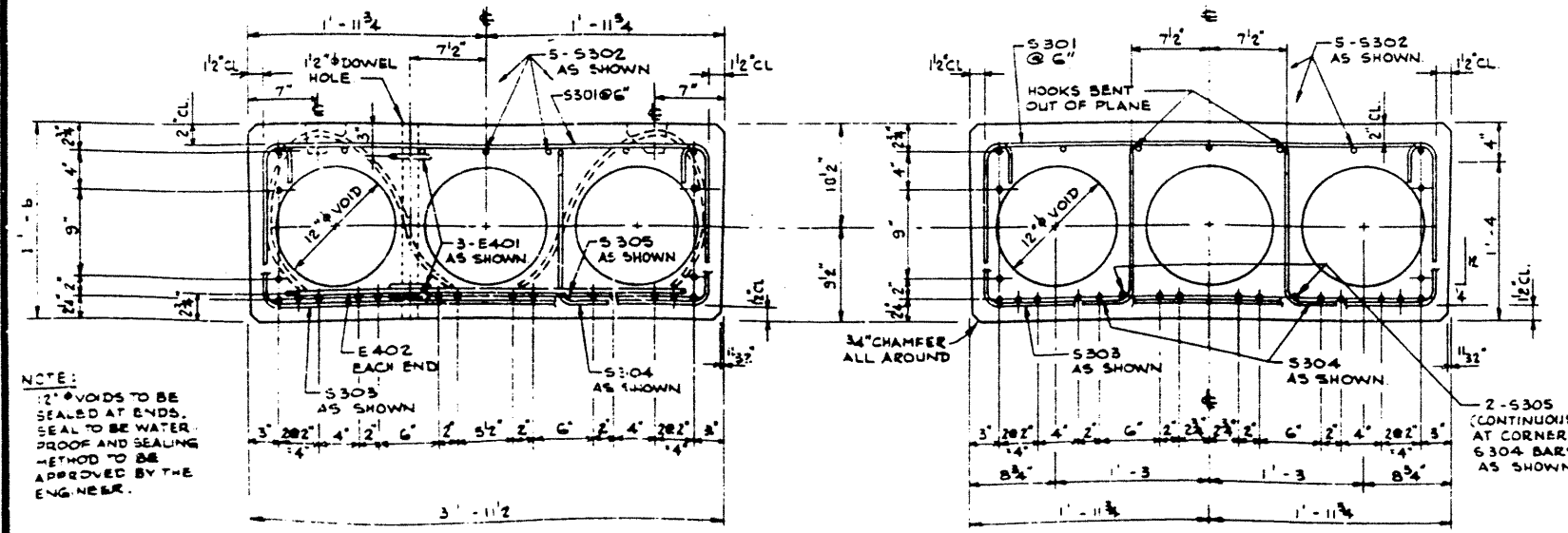


**SKEW END**  
NOTE:  
BARS SIMILAR TO SQUARE GIRDER BUT LENGTH AND PLACING TO SUIT SKEW.

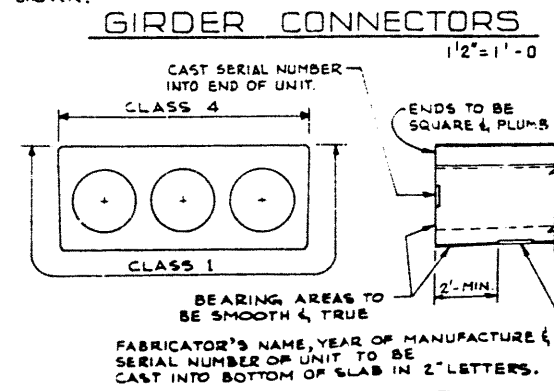


**GENERAL NOTES**

- DESIGN:
- A.A.S.H.O. 1973 SPECIFICATION EXCEPT AS MODIFIED BELOW.
  - ALLOWABLE TENSION AT 80% MODULUS OF RUPTURE.
  - NO TENSION IN DECK SURFACE.
  - WEB REINFORCEMENT - ACCORDING TO A.C.I. 318-71 BUT NOT LESS THAN A.A.S.H.O. MINIMUM.
- LOADING LIVE LOAD - A.A.S.H.O. HS-25-44  
ONE WHEEL LINE PER GIRDER  
DEAD LOAD - GIRDER = 0.524 KPS/FT.  
WEARING SURFACE = 0.100 KPS/FT.
- MATERIALS:
- CONCRETE IN GIRDER SHALL BE MADE OF LIGHTWEIGHT COARSE AGGREGATE AND SAND FINES.
  - CONCRETE 28 DAY STRENGTH 5,000 PSI.
  - RELEASE STRENGTH 4,000 PSI.
  - UNIT WEIGHT OF SEMI-LIGHTWEIGHT CONCRETE 120 LB./CU. FT.
  - PRESTRESSING STEEL SHALL BE 1/2" DIAMETER - 7 WIRE 270 K STRAND
- FABRICATION:
- GIRDERS SHALL CONFORM TO THE REQUIREMENTS OF THE ALBERTA BRIDGE BRANCH SPECIFICATION FOR THE MANUFACTURE OF PRESTRESSED CONCRETE BRIDGE UNITS.
  - FORCE IN PRESTRESSING STEEL:  
INITIAL TENSIONING LOAD = 28.73 K/STRAND  
DESIGN LOAD AFTER LOSSES = 20.83 K/STRAND
  - BEND OR SHIFT REINFORCING WHERE REQUIRED TO CLEAR GIRDER CONNECTORS AND LIFTING HOOKS. STIRRUP SPACING TO BE MAINTAINED.



NOTE:  
12" Voids TO BE SEALED AT ENDS. SEAL TO BE WATER PROOF AND SEALING METHOD TO BE APPROVED BY THE ENGINEER.



**GIRDER FINISHES**  
FABRICATOR'S NAME, YEAR OF MANUFACTURE & SERIAL NUMBER OF UNIT TO BE CAST INTO BOTTOM OF SLAB IN 2" LETTERS.

REVISIONS	DATE	DESCRIPTION	BY
1	FEB/74	REVISED	Handwritten

**SUPERSEDED**

**SUPERSEDED BY S-1207-74**

APPROVED

**Albion** HIGHWAYS AND TRANSPORT BRIDGE BRANCH

35FT. TYPE VS-20 INTERIOR GIRDER SEMI-LIGHTWT. CONCRETE

DESIGNED BY	DRWN BY	CHECKED BY	DATE	SCALE	LOCATION	REV. NO.	SHEET NO.	TOTAL SHEETS
R.G.S.	V.G.S.	Handwritten	FEB/74	1:1		SHOWN	5-1207	