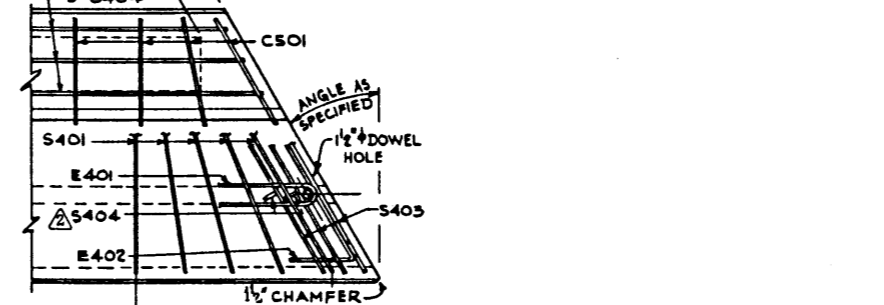
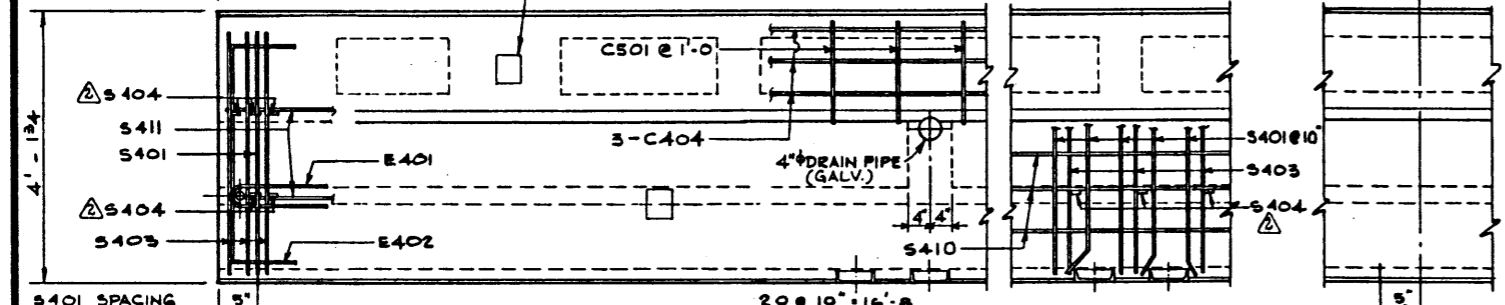
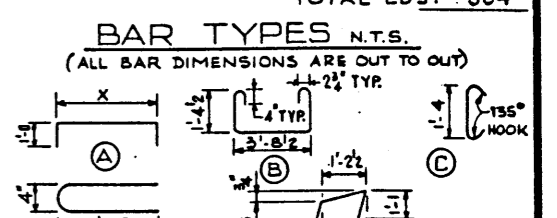
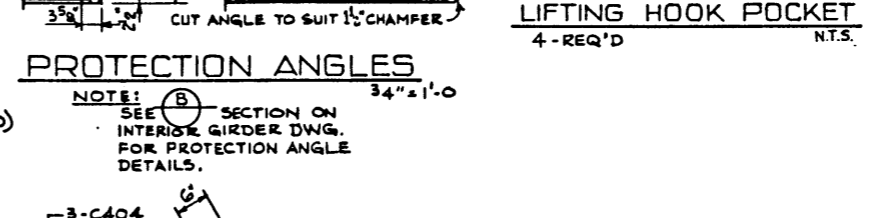
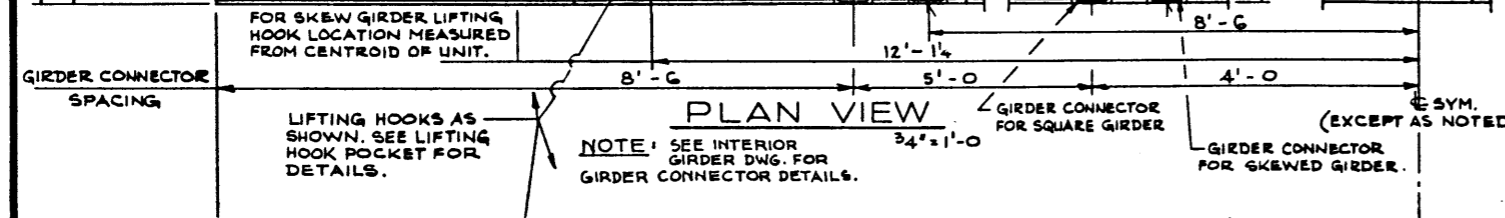


BAR LIST: FOR UNSKEWED GIRDER

MARK	SIZE	NO.	TYPE	X	Y	LENGTH	WEIGHT
S 401	4	42	A	3'-8 1/2"		5'-9"	161
S 410	4	5	STR			34'-8"	116
S 403	4	33	B			7'-4"	162
S 404	4	64	C			2'-1"	89
S 411	4	2	STR			34'-4"	46
E 401	4	6	D			3'-4"	13
E 402	4	2	A	3'-4"		5'-4"	7
C 404	4	3	STR			34'-8"	69
C 501	5	42	E			4'-7"	201

TOTAL LBS: 364



GENERAL NOTES

DESIGN:

- A.A.S.H.O. 1973 SPECIFICATION EXCEPT AS MODIFIED BELOW.
- ALLOWABLE TENSION AT 80% MODULUS OF RUPTURE.
- NO TENSION IN DECK SURFACE.
- WEB REINFORCEMENT - ACCORDING TO A.C.I. 318-71 BUT NOT LESS THAN A.A.S.H.O. MINIMUM.
- LOADING LIVE LOAD - A.A.S.H.O. HS-25-44
- ONE WHEEL LINE PER GIRDER
- DEAD LOAD - GIRDER = 0.663 KIPS/FT.
- WEARING SURFACE = 0.063 KIPS/FT.

MATERIALS:

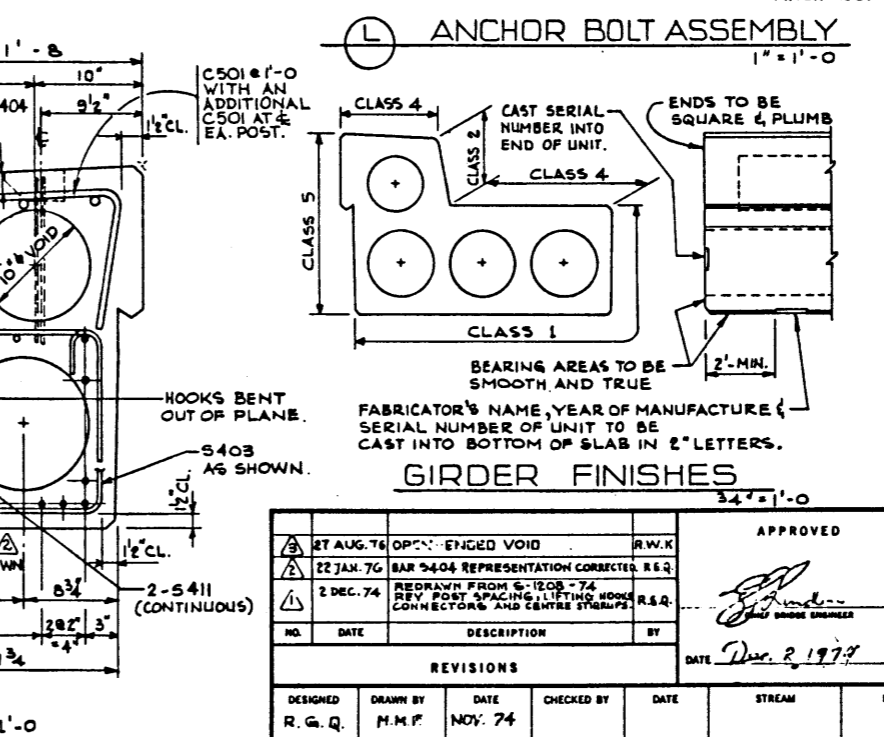
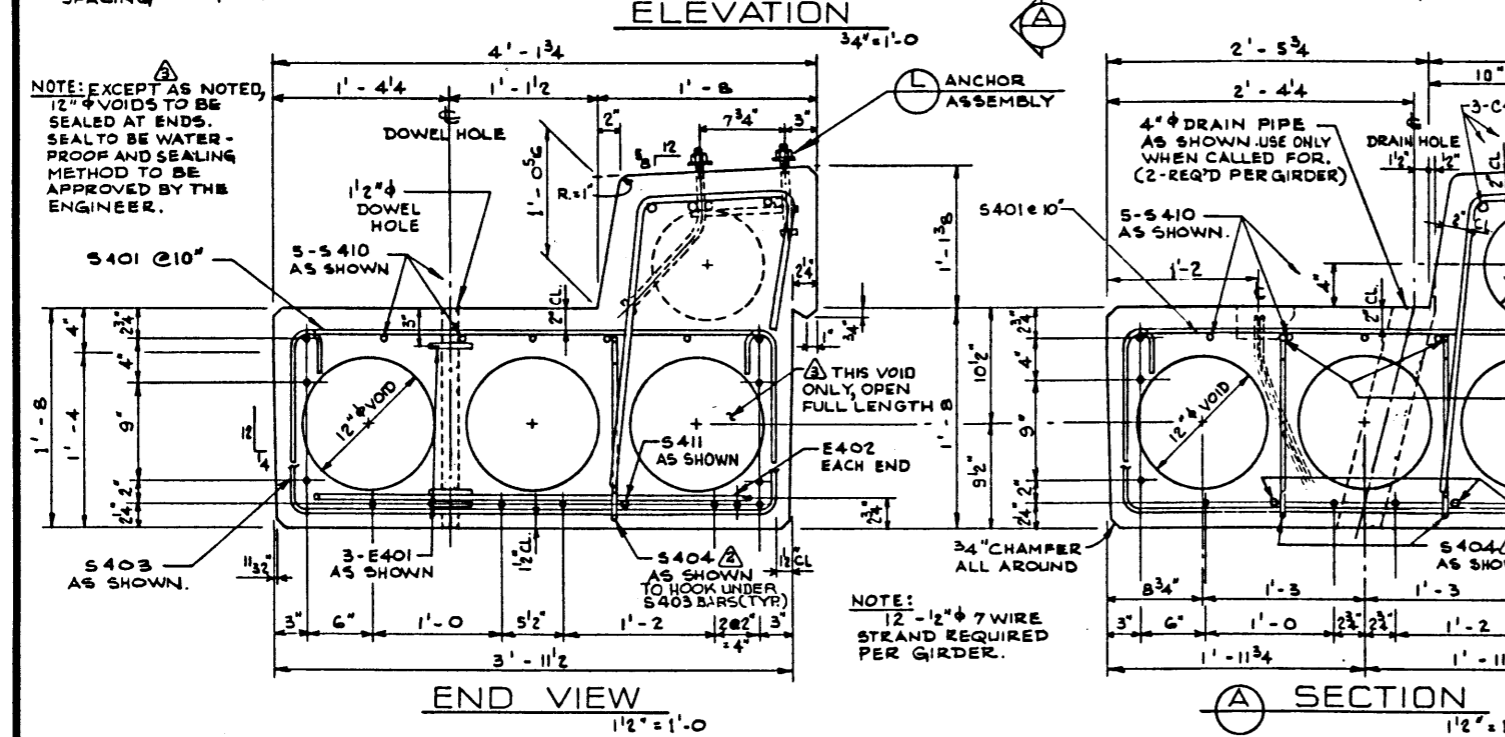
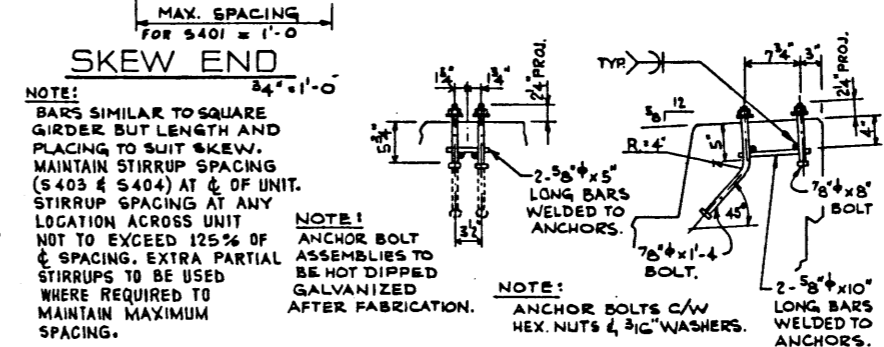
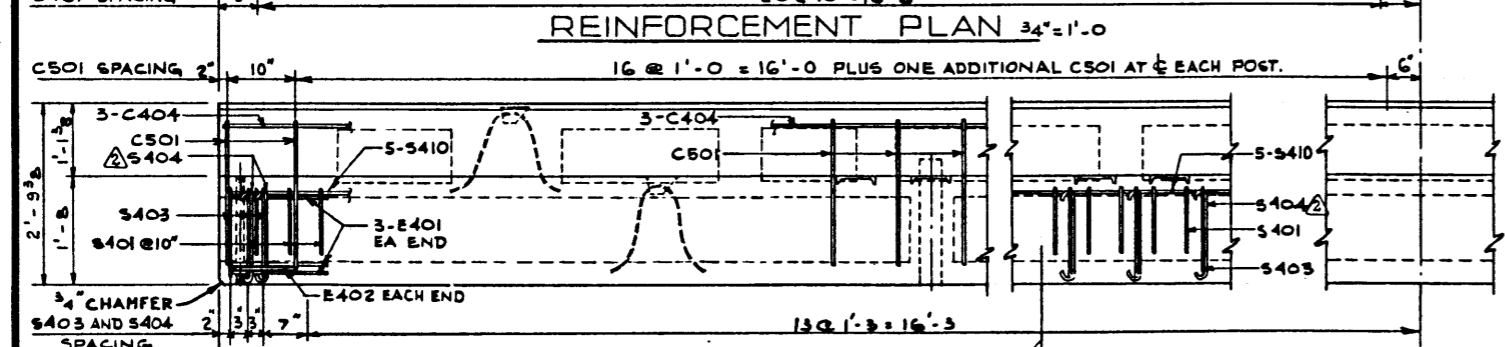
- CONCRETE IN GIRDER SHALL BE MADE OF LIGHTWEIGHT COARSE AGGREGATE AND SAND FINES.
- CONCRETE 28 DAY STRENGTH 5,000 PSI.
- RELEASE STRENGTH 4,000 PSI.
- UNIT WEIGHT OF SEMI-LIGHTWEIGHT CONCRETE 120 LB./CU. FT.
- PRESTRESSING STEEL SHALL BE 1/2" DIAMETER - 7 WIRE 270 K STRAND.

FABRICATION:

- GIRDERS SHALL CONFORM TO THE REQUIREMENTS OF THE ALBERTA BRIDGE BRANCH SPECIFICATION FOR THE MANUFACTURE OF PRESTRESSED CONCRETE BRIDGE UNITS.
- FORCE IN PRESTRESSING STEEL: INITIAL TENSIONING LOAD = 28.73 K/STRAND; DESIGN LOAD AFTER LOSSES = 22.74 K/STRAND
- CURB TO BE CAST MONOLITHICALLY WITH GIRDER.
- ANCHOR BOLT ASSEMBLIES SHALL BE CAST IN GIRDER AT SPACINGS AS SHOWN.
- BEND OR SHIFT REINFORCING WHERE REQUIRED TO CLEAR GIRDER CONNECTORS, LIFTING HOOK, & ANCHOR BOLT ASSEMBLIES. STIRRUP SPACING TO BE MAINTAINED.

ERECTION:

- ANY FREE SPACE BETWEEN CONNECTORS SHALL BE FILLED WITH WASHERS.
- CALCULATED WEIGHT OF ONE GIRDER IS 23,990 LBS.



GIRDER FINISHES

2 3

DESIGNED	DRAWN BY	DATE	CHECKED BY	DATE	STREAM	LOCATION	HWY. NO.	SCALE	FILE NO.	SHEET	DWG. NO.
R. G. Q.	M. M. P.	NOV. 74						SHOWN		12	S1208-74A

APPROVED: *[Signature]* DATE: Dec. 2, 1977

REVISIONS:

NO.	DATE	DESCRIPTION	BY
1	27 AUG. 76	OPEN ENDED VOID	R.W.K.
2	22 JAN. 76	BAR S404 REPRESENTATION CORRECTED R.S.Q.	
3	2 DEC. 74	REV. POST SPACING, LIFTING HOOKS, CONNECTORS & CENTRE STIRRUPS R.S.Q.	

Alberta HIGHWAYS AND TRANSPORT BRIDGE BRANCH

35 FT. TYPE VS-20 CURB GIRDER SEMI-LIGHTWT. CONCRETE