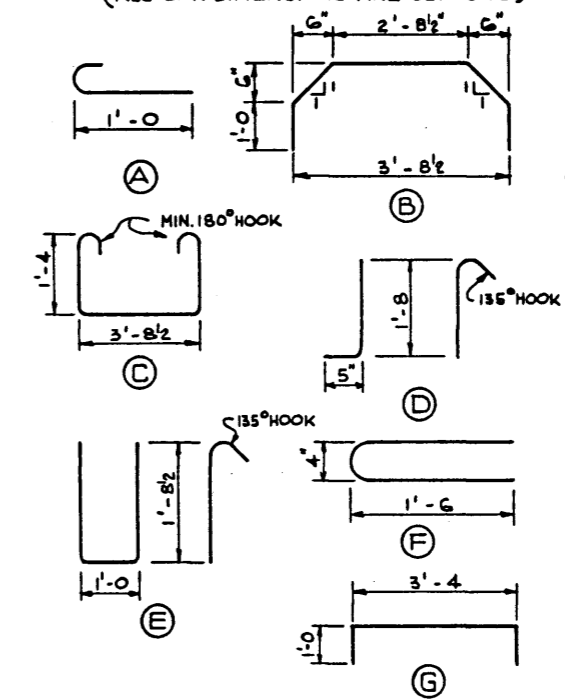


NOTE: 12 - 1/2" x 7 WIRE STRAND, REQUIRED PER GIRDER.

END VIEW 1/2" = 1'-0"

SECTION 1/2" = 1'-0"

BAR TYPES N.T.S.
(ALL BAR DIMENSIONS ARE OUT TO OUT)



SKEW END
3/4" = 1'-0"

NOTE: BARS SIMILAR TO SQUARE GIRDER BUT LENGTH AND PLACING TO SUIT SKEW.

BAR LIST: FOR UNSKEWED GIRDER

MARK	SIZE	NO.	TYPE	X	Y	LENGTH	WEIGHT
S 301	3	108	A			1'-5	58
S 401	4	51	B			6'-2	210
S 402	4	51	STR			3'-4	114
S 403	4	31	C			7'-5	150
S 404	4	27	D			2'-6	45
S 405	4	7	STR			34'-8	162
E 501	5	4	E			5'-4	22
E 401	4	4	F			3'-4	9
E 402	4	4	G			5'-4	14

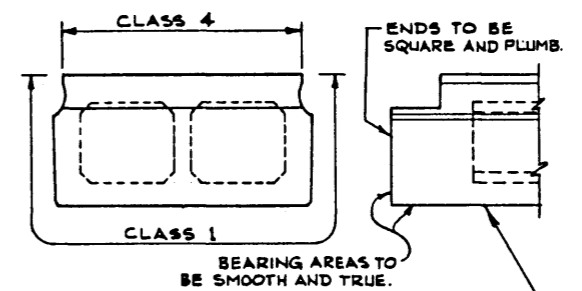
TOTAL LBS: 791
784

GENERAL NOTES

- DESIGN:
- A.A.S.H.O. 1973 SPECIFICATION EXCEPT AS MODIFIED BELOW.
 - ALLOWABLE TENSION AT 80% MODULUS OF RUPTURE.
 - NO TENSION IN DECK SURFACE.
 - WEB REINFORCEMENT - ACCORDING TO A.C.I. 318-71 BUT NOT LESS THAN A.A.S.H.O. MINIMUM.
 - LOADING LIVE LOAD - A.A.S.H.O. 15-22-44
0.70 WHEEL LINE PER GIRDER
 - DEAD LOAD - GIRDER = 0.55 KPS/FT.
WEARING SURFACE = 0.10 KPS/FT.

- MATERIALS:
- CONCRETE IN GIRDER SHALL BE MADE OF LIGHTWEIGHT COARSE AGGREGATE AND SAND FINES.
 - CONCRETE 28 DAY STRENGTH 5000 PSI.
 - RELEASE STRENGTH 4000 PSI.
 - UNIT WEIGHT OF SEMI-LIGHTWEIGHT CONCRETE 120 LB./CU. FT.
 - PRESTRESSING STEEL SHALL BE 1/2" DIAMETER - 7 WIRE 270 K STRAND.

- FABRICATION:
- GIRDERS SHALL CONFORM TO THE REQUIREMENTS OF THE ALBERTA BRIDGE BRANCH SPECIFICATION FOR THE MANUFACTURE OF PRESTRESSED CONCRETE BRIDGE UNITS.
 - FORCE IN PRESTRESSING STEEL:
INITIAL TENSIONING LOAD = 28.73 K/STRAND
DESIGN LOAD AFTER LOSSES = 22.12 K/STRAND
- ERECTION:
- LIFTING FORCE AT EACH HOOK SHALL NOT EXCEED 35% FROM THE VERTICAL. GIRDER SURFACE MUST BE LEVEL AT ALL TIMES.
 - CALCULATED WEIGHT OF ONE GIRDER IS 15,780 LBS.



GIRDER FINISHES
3/4" = 1'-0"

DESIGNED R.G.Q. D.K.D.		DRAWN BY V.G.B.		DATE MAY 74		CHECKED BY		DATE JAN 8 1976		APPROVED CHIEF BRIDGE ENGINEER		Alberta HIGHWAYS AND TRANSPORT BRIDGE BRANCH	
REVISIONS NO. DATE DESCRIPTION BY										35 FT. TYPE RD-24 INTERIOR GIRDER SEMI-LIGHTWT. CONCRETE		SHEET 5-1213	
DESIGNED		DRAWN BY		DATE		CHECKED BY		DATE		STREAM		LOCATION	
NO.		DATE		DESCRIPTION		BY		DATE		MNY. NO.		SCALE	
SHOWN		FILE NO.		SHEET		DWS. NO.							