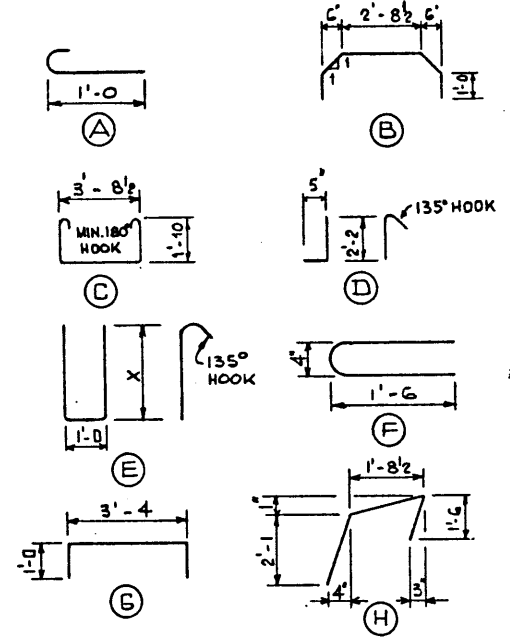


BAR TYPES N.T.S.

(ALL BAR DIMENSIONS ARE OUT TO OUT.)



BAR LIST: FOR UNSKEWED GIRDER

MARK	SIZE	NO.	TYPE	X	Y	LENGTH	WEIGHT
S 301	3	78	A			1'-5	42
S 401	4	73	B			6'-2	301
S 402	4	73	STR			3'-4	163
S 403	4	41	C			8'-3	226
S 404	4	37	D			3'-0	74
B 405	4	14	STR			25'-4	237
E 401	4	4	F			3'-4	9
E 402	4	4	G			5'-4	14
E 501	5	2	E	2'-2 1/2		6'-4	13
E 502	5	2	E	3'-2		8'-3	17
C 401	4	6	STR			25'-4	102
C 501	5	61	H			5'-4	339

* ASSUMED 6 POSTS. TOTAL LBS.: 1537

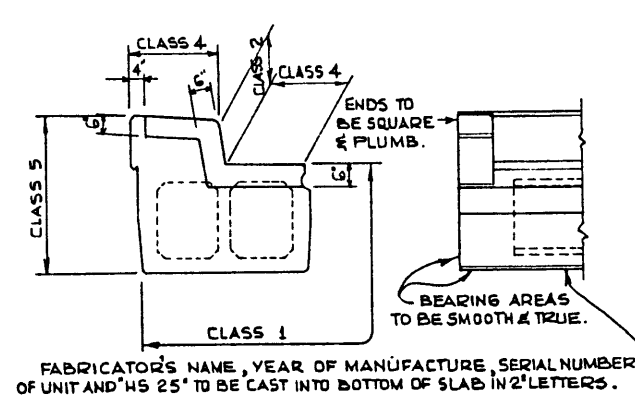
GENERAL NOTES

- DESIGN:
- A.A.S.H.O. 1973 SPECIFICATION EXCEPT AS MODIFIED BELOW.
 - ALLOWABLE TENSION AT 80% MODULUS OF RUPTURE.
 - NO TENSION IN DECK SURFACE.
 - WEB REINFORCEMENT - ACCORDING TO A.C.I. 318-71 BUT NOT LESS THAN A.A.S.H.O. MINIMUM.
 - LOADING LIVE LOAD - A.A.S.H.O. HS-25-44
 - 0.70 WHEEL LINE PER GIRDER
 - DEAD LOAD - GIRDER = 0.96 KPS/FT.
 - WEARING SURFACE = 0.10 KPS/FT.

- MATERIALS:
- CONCRETE IN GIRDER SHALL BE MADE OF LIGHTWEIGHT COARSE AGGREGATE AND SAND FINES.
 - CONCRETE IN CURB SHALL BE MADE OF STANDARD WEIGHT AGGREGATES.
 - CONCRETE 28 DAY STRENGTH 5000 PSI.
 - RELEASE STRENGTH 4000 PSI.
 - UNIT WEIGHT OF SEMI-LIGHTWEIGHT CONCRETE 120 LB./CU. FT.
 - PRESTRESSING STEEL SHALL BE 1/2" DIAMETER - 7 WIRE 270 K STRAND.

- FABRICATION:
- GIRDERS SHALL CONFORM TO THE REQUIREMENTS OF THE ALBERTA BRIDGE BRANCH SPECIFICATION FOR THE MANUFACTURE OF PRESTRESSED CONCRETE BRIDGE UNITS.
 - FORCE IN PRESTRESSING STEEL: INITIAL TENSIONING LOAD = 26.73 K/STRAND DESIGN LOAD AFTER LOSSES = 23.07 K/STRAND
 - CURB TO BE CAST MONOLITHICALLY WITH GIRDER.
 - ANCHOR BOLT ASSEMBLIES SHALL BE CAST IN GIRDER AT SPACINGS AS REQUIRED.

- ERECTION:
- LIFTING FORCE AT EACH HOOK SHALL NOT EXCEED 35° FROM THE VERTICAL. GIRDER SURFACE MUST BE LEVEL AT ALL TIMES.
 - CALCULATED WEIGHT OF ONE GIRDER IS 44.57 LBS.



GIRDER FINISHES

APPROVED		HIGHWAYS AND TRANSPORT BRIDGE BRANCH	
12 OCT 77		50 FT. TYPE RD-30 CURB GIRDER	
STRAND LOCATION		SEMI-LIGHTWT. CONCRETE	
DATE		BY	
DESCRIPTION		DATE	
REVISIONS			
DESIGNED	DRAWN BY	DATE	CHECKED BY
R.G.R.	P.SZ.	77 02 21	
D.K.D.			
STREAM	LOCATION	HWY. NO.	SCALE
			SHOWN
FILE NO.	SHEET	DWG. NO.	
		S-1226	

