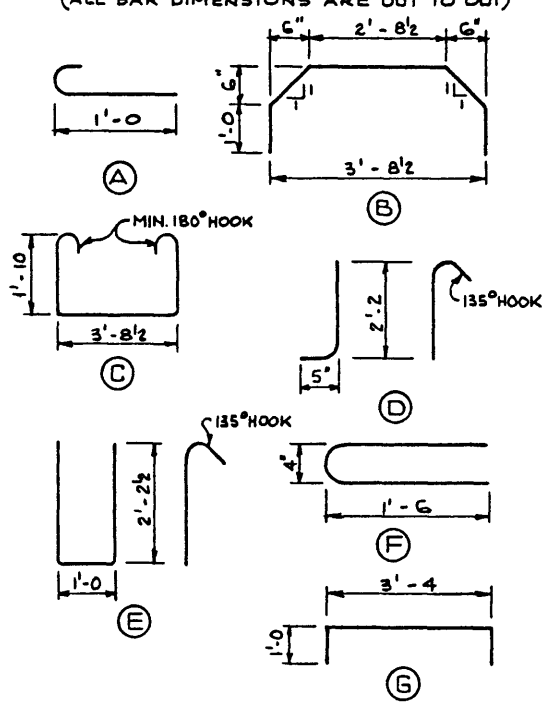


BAR TYPES N.T.S.
(ALL BAR DIMENSIONS ARE OUT TO OUT)



BAR LIST: FOR UNSKEWED GIRDER							
MARK	SIZE	NO.	TYPE	X	Y	LENGTH	WEIGHT
S 301	3	172	A			1'-5	92
S 401	4	81	B			6'-2	334
S 402	4	81	STR.			3'-4	180
S 403	4	45	C			8'-3	248
S 404	4	41	D			3'-0	82
S 405	4	14	STR.			27'-10	260
E 501	5	4	E			6'-4	26
E 401	4	4	F			3'-4	9
E 402	4	4	G			5'-4	14
							TOTAL LBS: 1,245

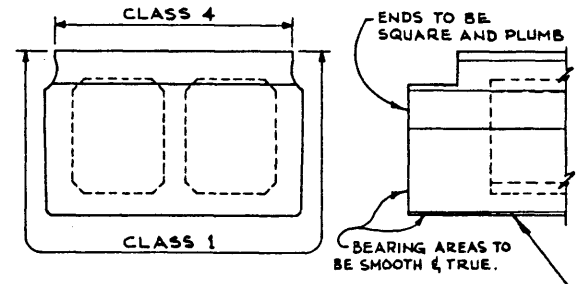
GENERAL NOTES

- DESIGN:
- A.A.S.H.O. 1973 SPECIFICATION EXCEPT AS MODIFIED BELOW.
 - ALLOWABLE TENSION AT 80% MODULUS OF RUPTURE.
 - NO TENSION IN DECK SURFACE.
 - WEB REINFORCEMENT - ACCORDING TO A.C.I. 318-71 BUT NOT LESS THAN A.A.S.H.O. MINIMUM.
 - LOADING LIVE LOAD - A.A.S.H.O. HS-25-44
 - 0.70 WHEEL LINE PER GIRDER
 - DEAD LOAD - GIRDER = 0.64 KIPS/FT.
 - WEARING SURFACE = 0.10 KIPS/FT.

- MATERIALS:
- CONCRETE IN GIRDER SHALL BE MADE OF LIGHTWEIGHT COARSE AGGREGATE AND SAND FINES.
 - CONCRETE 28 DAY STRENGTH 5,000 PSI.
 - RELEASE STRENGTH 4,000 PSI.
 - UNIT WEIGHT OF SEMI-LIGHTWEIGHT CONCRETE 120 LB./CU. FT.
 - PRESTRESSING STEEL SHALL BE 1/2" DIAMETER - 7 WIRE 270 K STRAND.

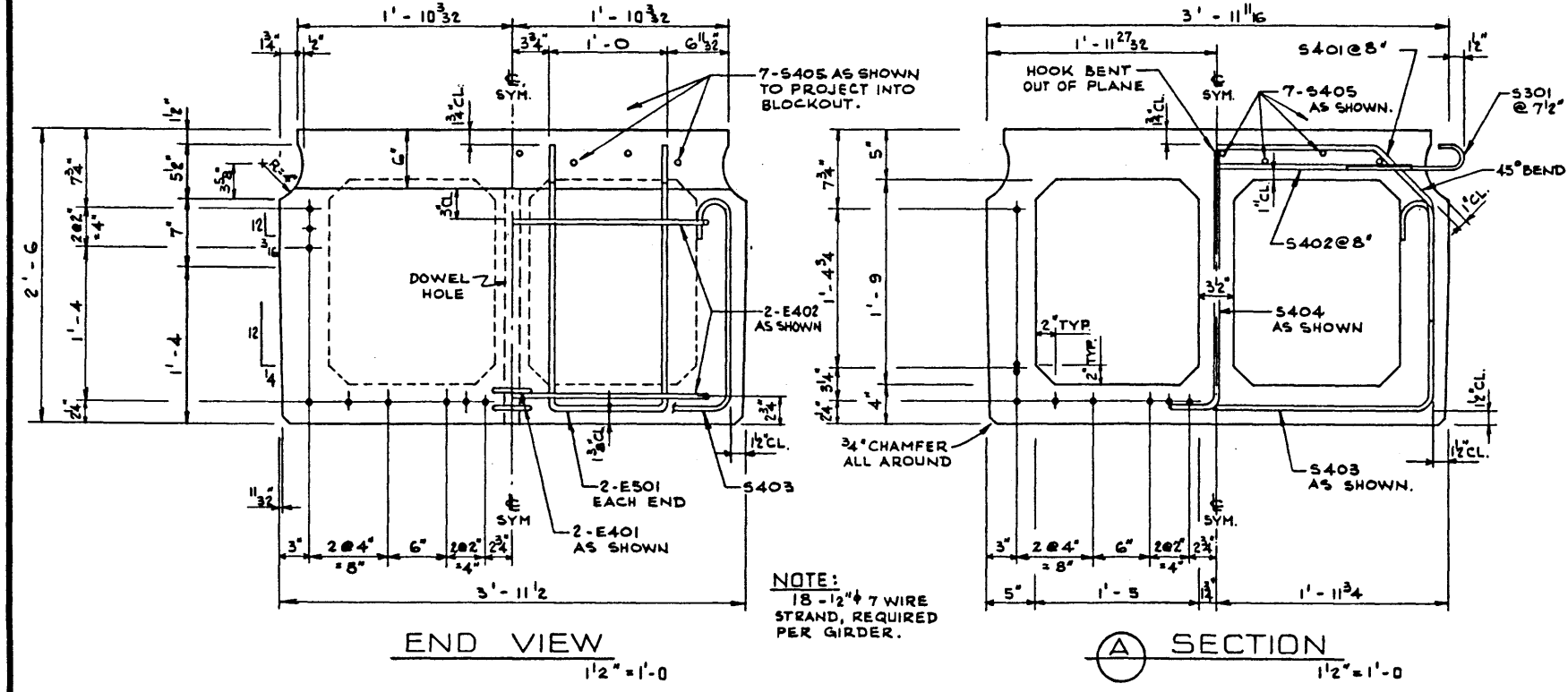
- FABRICATION:
- GIRDERS SHALL CONFORM TO THE REQUIREMENTS OF THE ALBERTA BRIDGE BRANCH SPECIFICATION FOR THE MANUFACTURE OF PRESTRESSED CONCRETE BRIDGE UNITS.
 - FORCE IN PRESTRESSING STEEL: INITIAL TENSIONING LOAD = 28.73 K/STRAND DESIGN LOAD AFTER LOSSES = 21.13 K/STRAND

- ERECTION:
- LIFTING FORCE AT EACH HOOK SHALL NOT EXCEED 35° FROM THE VERTICAL. GIRDER SURFACE MUST BE LEVEL AT ALL TIMES.
 - CALCULATED WEIGHT OF ONE GIRDER IS 35,400 LBS.



FABRICATOR'S NAME, YEAR OF MANUFACTURE, SERIAL NUMBER OF UNIT AND 'HS 25' TO BE CAST INTO BOTTOM OF SLAB IN 2" LETTERS.

GIRDER FINISHES
3/4" = 1'-0"



DESIGNED R. G. D. D. K. D.		DRAWN BY V. G. B.		DATE FEB./74		CHECKED BY		DATE		STREAM		LOCATION		HWY. NO.		SCALE SHOWN		FILE NO.		SHEET OF		DWG. NO. S-1227	
<p>APPROVED</p> <p><i>[Signature]</i></p> <p>CHIEF BRIDGE ENGINEER</p> <p>DATE JAN 8 1976</p>												<p>PROVINCE OF ALBERTA DEPARTMENT OF HIGHWAYS AND TRANSPORT BRIDGE BRANCH</p> <p>55FT. TYPE RD-30 INTERIOR GIRDER SEMI-LIGHTWT. CONCRETE</p>											