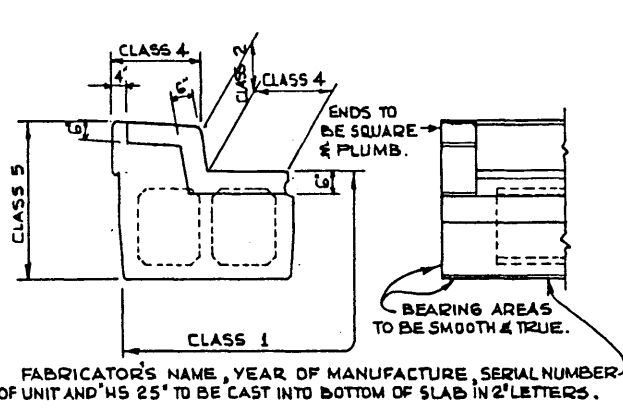
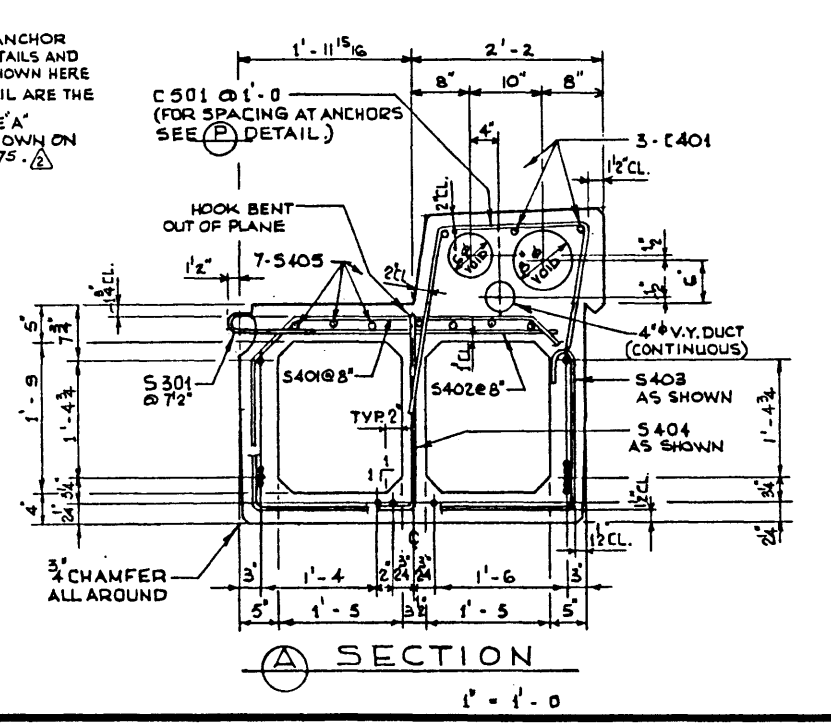
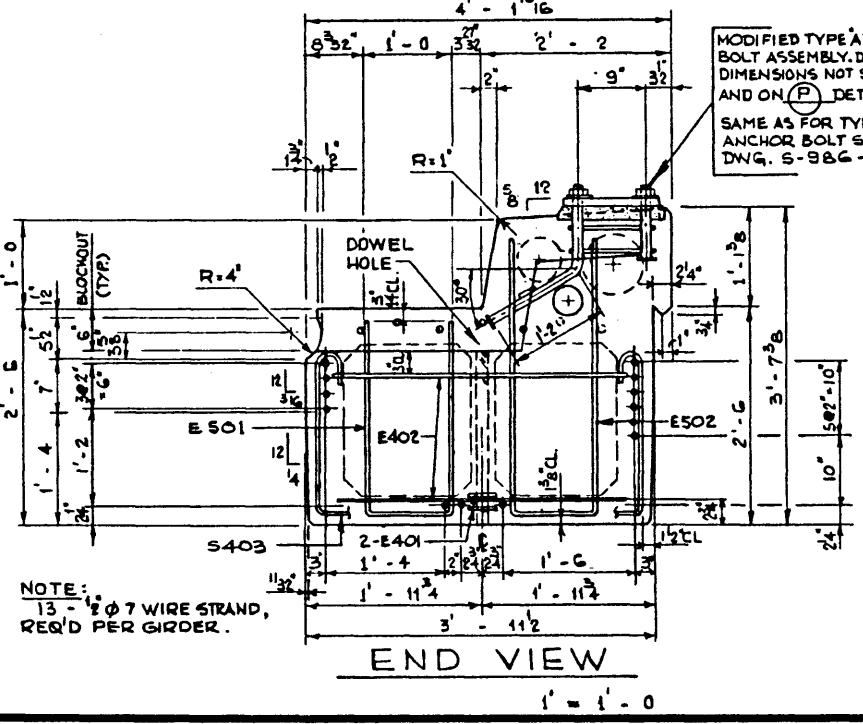
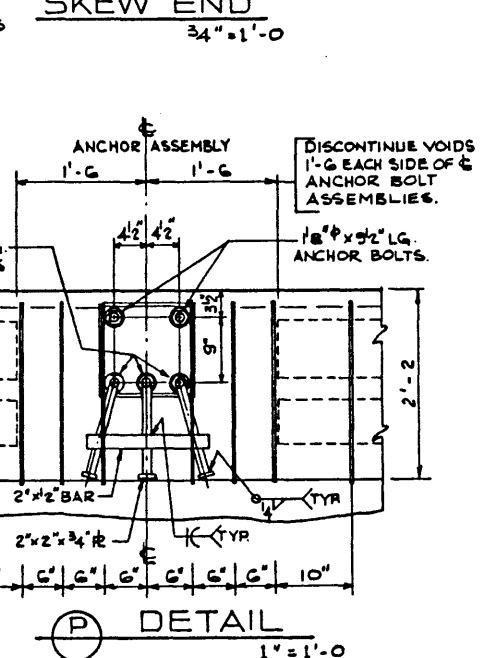
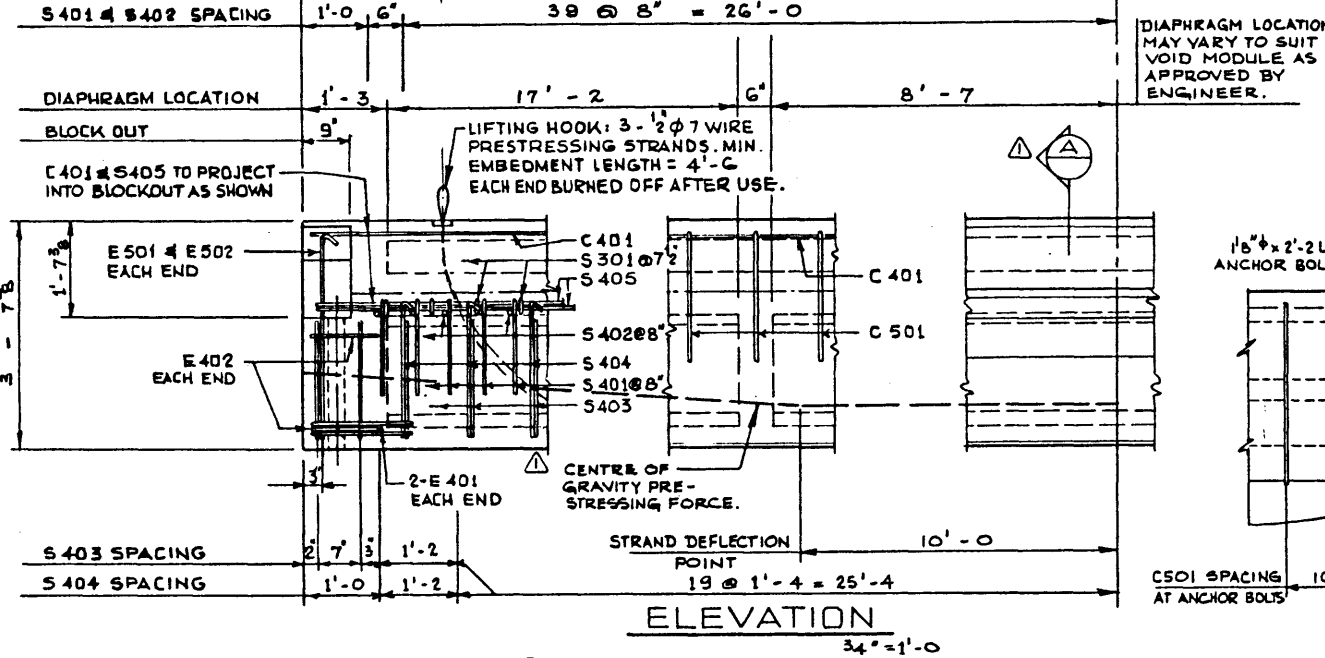


BAR LIST : FOR UNSKEWED GIRDER									
MARK	SIZE	NO.	TYPE	X	Y	LENGTH	WEIGHT		
S 301	3	87	A			1' - 5	46		
S 401	4	81	B			6' - 2	334		
S 402	4	81	STR			3' - 4	180		
S 403	4	45	C			8' - 3	248		
S 404	4	41	D			3' - 0	82		
S 405	4	14	STR			27' - 10	260		
E 401	4	4	F			3' - 4	9		
E 402	4	4	G			5' - 4	14		
E 501	5	2	E	2'-2"		6' - 4	13		
E 502	5	2	E	3'-2"		6' - 3	17		
C 401	4	6	STR			27' - 10	112		
C 501	5	68	H			5' - 4	378		
							TOTAL LBS: 1,693		



REVISIONS			
NO.	DATE	DESCRIPTION	BY
1	10 DEC. 1975	REF. DWG. S-986-74 TO 75, C501 SPACING CLARIFIED.	D.K.D.
2	APR. 9 1975	'A' SECTION MOVED.	R.B.Q.

- GENERAL NOTES**
- DESIGN:
- A.A.S.H.O. 1973 SPECIFICATION EXCEPT AS MODIFIED BELOW.
  - ALLOWABLE TENSION AT 80% MODULUS OF RUPTURE.
  - NO TENSION IN DECK SURFACE.
  - WEB REINFORCEMENT - ACCORDING TO A.C.I. 318-71 BUT NOT LESS THAN A.A.S.H.O. MINIMUM.
  - LOADING LIVE LOAD - A.A.S.H.O. HS-25-44 0.70 WHEEL LINE PER GIRDER
  - DEAD LOAD - GIRDER = 0.96 KPS/FT. WEARING SURFACE = 0.10 KPS/FT.
- MATERIALS:
- CONCRETE IN GIRDER SHALL BE MADE OF LIGHTWEIGHT COARSE AGGREGATE AND SAND FINES.
  - CONCRETE IN CURB SHALL BE MADE OF STANDARD WEIGHT AGGREGATES.
  - CONCRETE 28 DAY STRENGTH 5,000 PSI.
  - RELEASE STRENGTH 4,000 PSI.
  - UNIT WEIGHT OF SEMI-LIGHTWEIGHT CONCRETE 120 LB./CU. FT.
  - PRESSURING STEEL SHALL BE 1/2" DIAMETER - 7 WIRE 270 K STRAND.
- FABRICATION:
- GIRDERS SHALL CONFORM TO THE REQUIREMENTS OF THE ALBERTA BRIDGE BRANCH SPECIFICATION FOR THE MANUFACTURE OF PRESTRESSED CONCRETE BRIDGE UNITS.
  - FORCE IN PRESTRESSING STEEL: INITIAL TENSIONING LOAD = 28.73 K/STRAND DESIGN LOAD AFTER LOSSES = 22.85 K/STRAND
  - CURB TO BE CAST MONOLITHICALLY WITH GIRDER.
  - ANCHOR BOLT ASSEMBLIES SHALL BE CAST IN GIRDER AT SPACINGS AS REQUIRED.
- ERECTION:
- LIFTING FORCE AT EACH HOOK SHALL NOT EXCEED 35° FROM THE VERTICAL. GIRDER SURFACE MUST BE LEVEL AT ALL TIMES.
  - CALCULATED WEIGHT OF ONE GIRDER IS 48,600 LBS.

APPROVED		Alberta HIGHWAYS AND TRANSPORT BRIDGE BRANCH	
55FT. TYPE RD-30 CURB GIRDER		SEMI-LIGHTWT CONCRETE	
DESIGNED	DRAWN BY	DATE	CHECKED BY
R.G.R.	P.SZ.	APR./74	
D.K.D.			