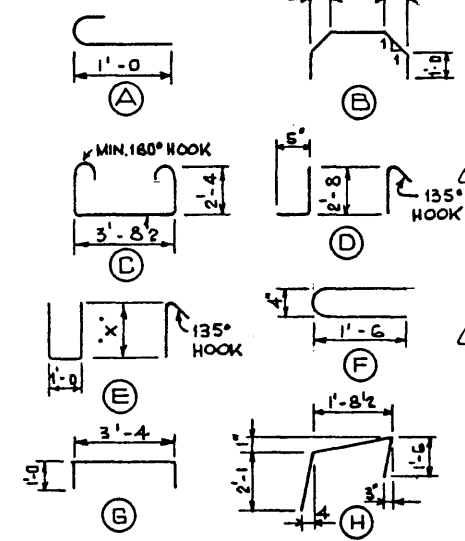


BAR TYPES N.T.S.

(ALL BAR DIMENSIONS ARE OUT TO OUT.)



BAR LIST: FOR UNSKEWED GIRDER

MARK	SIZE	NO.	TYPE	X	Y	LENGTH	WEIGHT
S 301	3	109	A			1 - 6	58
S 401	4	103	B			6 - 2	424
S 402	4	103	STR			3 - 4	229
S 403	4	57	C			9 - 3	352
S 404	4	53	D			3 - 6	124
S 405	4	14	STR			35 - 4	330
E 401	4	4	F			3 - 4	9
E 402	4	4	G			5 - 4	14
E 501	5	2	E	2'-0"		7 - 4	15
E 502	5	2	E	3'-8"		9 - 3	19
C 401	4	6	STR			35' - 4	142
C 501	5	85	H			5' - 4	473

* ASSUMED 7 POSTS TOTAL LBS.: 2193
2189

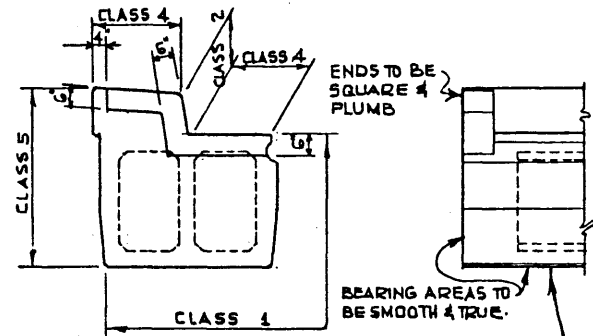
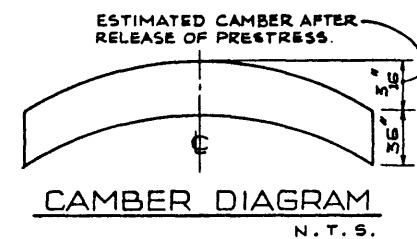
GENERAL NOTES

- DESIGN:**
- A.A.S.H.O. 1973 SPECIFICATION EXCEPT AS MODIFIED BELOW.
 - ALLOWABLE TENSION AT 80% MODULUS OF RUPTURE.
 - NO TENSION IN DECK SURFACE.
 - WEB REINFORCEMENT - ACCORDING TO A.C.I. 318-71 BUT NOT LESS THAN A.A.S.H.O. MINIMUM.
 - LOADING LIVE LOAD - A.A.S.H.O. HS-25-44
0.70 WHEEL LINE PER GIRDER
 - DEAD LOAD - GIRDER = 1.05 KIPS/FT.
WEARING SURFACE = 0.10 KIPS/FT.

- MATERIALS:**
- CONCRETE IN GIRDER SHALL BE MADE OF LIGHTWEIGHT COARSE AGGREGATE AND SAND FINES.
 - CONCRETE IN CURB SHALL BE MADE OF STANDARD WEIGHT AGGREGATES.
 - CONCRETE 28 DAY STRENGTH 5000 PSI.
 - RELEASE STRENGTH 4000 PSI.
 - UNIT WEIGHT OF SEMI-LIGHTWEIGHT CONCRETE 120 LB./CU. FT.
 - PRESSURING STEEL SHALL BE 1/2" DIAMETER - 7 WIRE 270 K STRAND.

- FABRICATION:**
- GIRDERS SHALL CONFORM TO THE REQUIREMENTS OF THE ALBERTA BRIDGE BRANCH SPECIFICATION FOR THE MANUFACTURE OF PRESTRESSED CONCRETE BRIDGE UNITS.
 - FORCE IN PRESSURING STEEL:
INITIAL TENSIONING LOAD = 28.73 K/STRAND
DESIGN LOAD AFTER LOSSES = 22.45 K/STRAND
 - CURB TO BE CAST MONOLITHICALLY WITH GIRDER.
 - ANCHOR BOLT ASSEMBLIES SHALL BE CAST IN GIRDER AT SPACINGS AS REQUIRED.

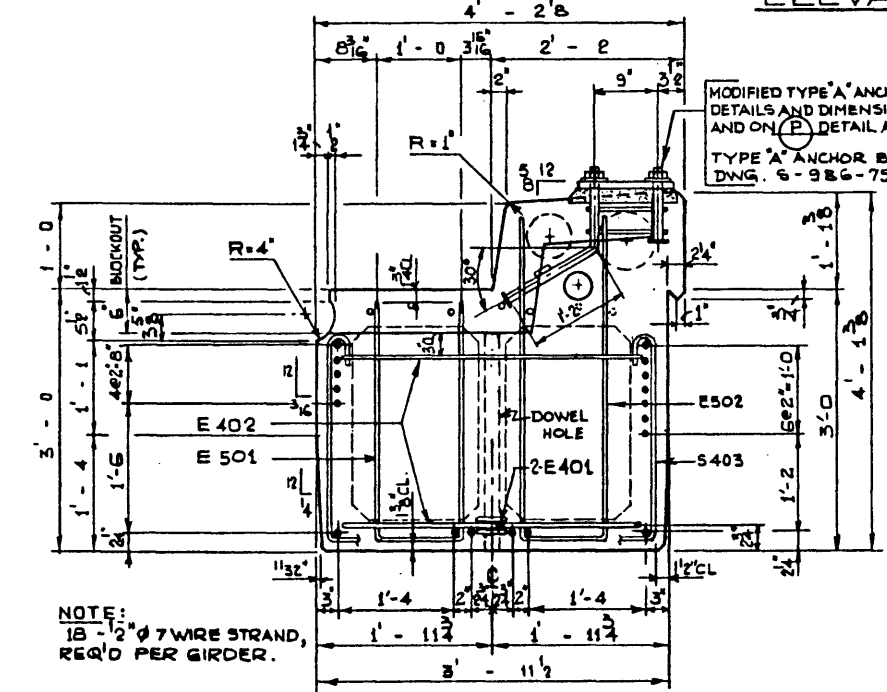
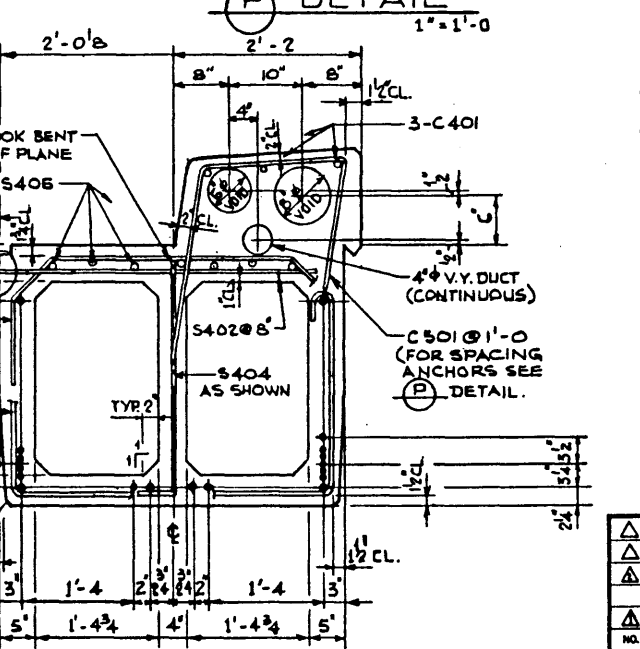
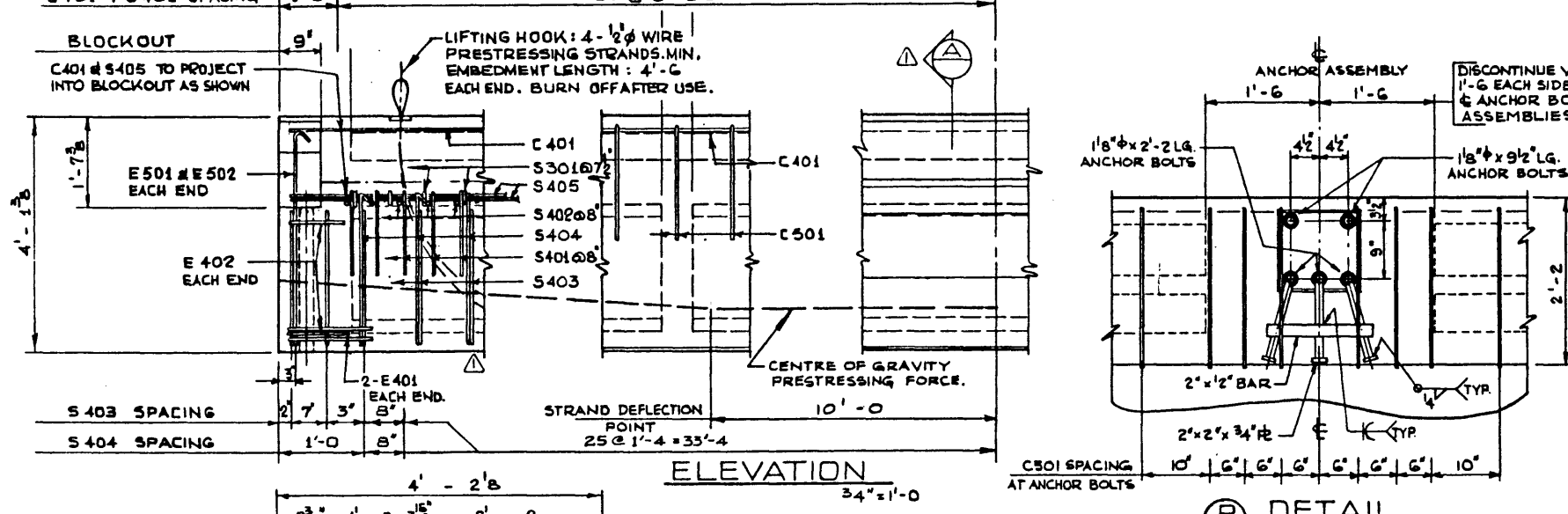
- ERECTION:**
- LIFTING FORCE AT EACH HOOK SHALL NOT EXCEED 35% FROM THE VERTICAL. GIRDER SURFACE MUST BE LEVEL AT ALL TIMES.
 - CALCULATED WEIGHT OF ONE GIRDER IS 67,560 LBS.



FABRICATOR'S NAME, YEAR OF MANUFACTURE, SERIAL NUMBER OF UNIT AND 'HS - 25' TO BE CAST INTO BOTTOM OF SLAB IN 2" LETTERS.

GIRDER FINISHES

1/2" = 1'-0"



SECTION

1" = 1'-0"

APPROVED		Albera HIGHWAYS AND TRANSPORT BRIDGE BRANCH	
18 DEC. 75 REF. DWG. S-986-74 TO 75, C501		70 FT. TYPE RD-36 CURB GIRDER SEMI-LIGHTWT. CONCRETE	
APR. 9, 1975 'A' SECTION MOVED.		DATE JAN 8, 1976	
REVISIONS			
DESIGNED	DRAWN BY	DATE	CHECKED BY
R. G. Q.	P. SZ.	NOV. 74	
D. K. D.			