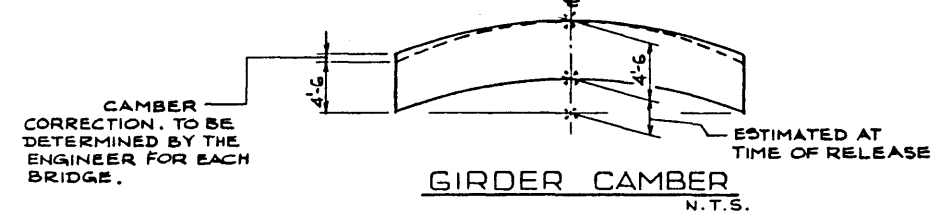
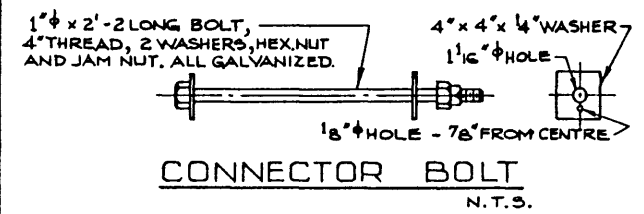
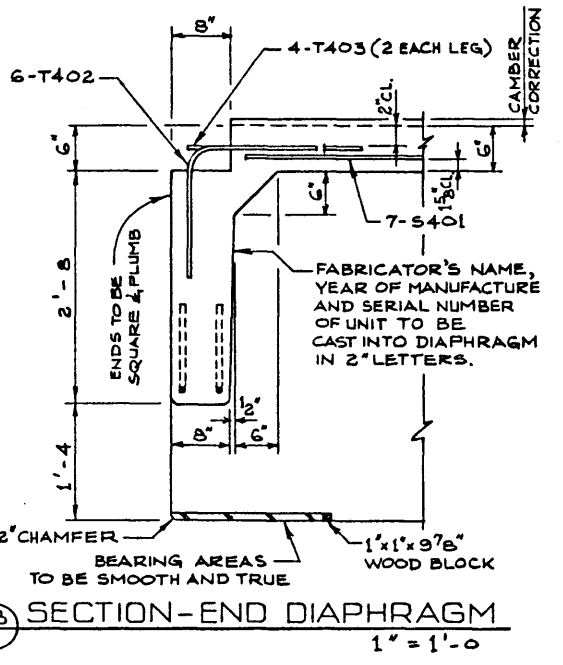
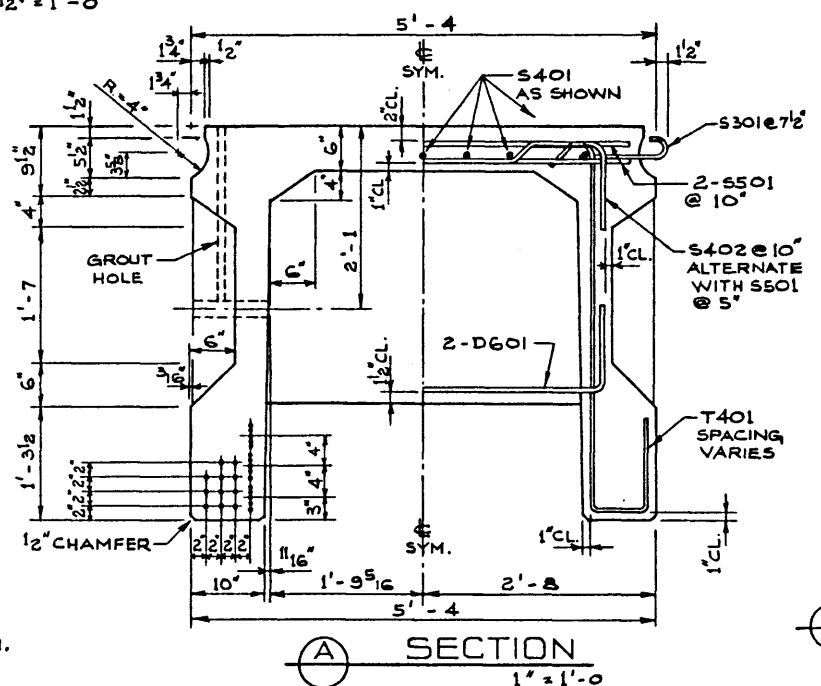
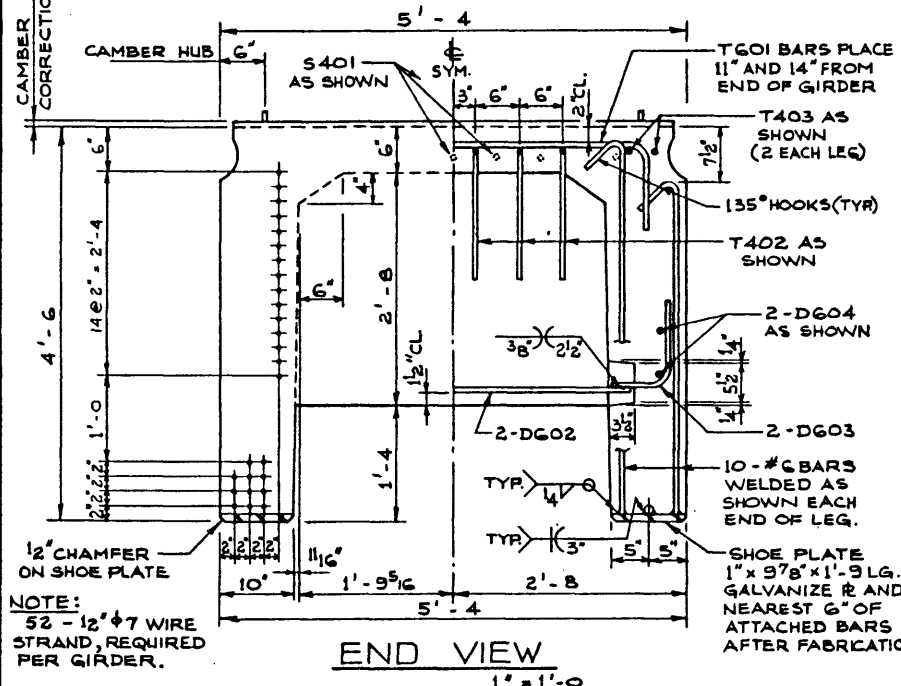
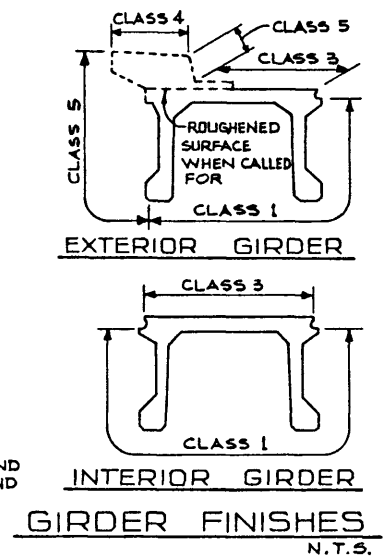


BAR LIST: FOR UNSKEWED GIRDER							
MARK	SIZE	NO.	TYPE	X	Y	LENGTH	WEIGHT
S 301	3	396	C			1'-6	223
S 401	4	28	STR.			31'-7	591
S 402	4	149	B			6'-5	639
S 501	5	300	STR.			4'-9	1,486
T 401	4	358	A			6'-5	1,535
T 402	4	12	E			3'-0	24
T 403	4	8	STR.			2'-0	11
T 601	6	4	D	4'-6		6'-6	39
D 601	6	8	D	4'-2		6'-2	74
D 602	6	4	STR.			4'-2	25
D 603	6	8	F			1'-8	20
D 604	6	8	STR.			2'-0	24
						TOTAL LBS.	4,681

GENERAL NOTES

- DESIGN:**
- A.A.S.H.T.O. 1973 SPECIFICATION PLUS 1974 AND 1975 INTERIMS EXCEPT AS MODIFIED BELOW.
 - ALLOWABLE FINAL TENSION AT CENTRELINE 80% MODULUS OF RUPTURE.
 - NO TENSION IN DECK SURFACE.
 - WEB REINFORCEMENT - ACCORDING TO A.C.I. 318-71 BUT NOT LESS THAN A.A.S.H.T.O. MINIMUM.
 - LOADING: LIVE LOAD - A.A.S.H.T.O. HS-20-44
 - 0.90 WHEEL LINE PER GIRDER.
 - DEAD LOAD - GIRDER = 1.000 KIP/FT.
 - WEARING SURFACE = 0.166 KIP/FT.
- MATERIALS:**
- CONCRETE IN GIRDER SHALL BE MADE OF LIGHTWEIGHT COARSE AGGREGATE AND NATURAL SAND FINES.
 - CONCRETE 28 DAY STRENGTH 5000 P.S.I.
 - RELEASE STRENGTH 4000 P.S.I.
 - UNIT WEIGHT OF SEMI-LIGHTWEIGHT CONCRETE 120 LB/CU. FT. PLUS OR MINUS 3% IN PLASTIC STATE.
 - AIR ENTRAINMENT SHALL NOT BE LESS THAN 0%.
 - PRESSURE RELIEFING STRAND SHALL BE 1/2" DIAMETER - 7 WIRE 270 K STRESS-RELIEVED STRAND.
 - STABILIZED STRAND (1/2" DIAMETER - 7 WIRE 270 K) MAY BE SUBSTITUTED PROVIDED THE INITIAL TENSION IN STRAND DOES NOT EXCEED THAT SPECIFIED FOR STRESS-RELIEVED STRAND AND PRESTRESS LOSSES ARE CALCULATED USING RECOMMENDATIONS FOR ESTIMATING PRESTRESS LOSSES BY THE P.C.I. COMMITTEE ON PRESTRESS LOSSES, FEBRUARY 1975. SUBSTITUTION OF STABILIZED STRAND SUBJECT TO THE APPROVAL OF THE ENGINEER.



APPROVED		Alberta TRANSPORTATION BRIDGE BRANCH	
77 02 22 NO. OF D-603 CHANGED IN BAR LIST J.R.C.		PRESTRESSED CONCRETE 125'-0 TYPE LF -54" GIRDER	
REVISIONS		DATE	
DESIGNED	DRAWN BY	DATE	CHECKED BY
R.G.Q.	V.G.B.	APR. 76	
STREAM	LOCATION	HWY. NO.	SCALE
			SHOWN
SHEET	OF	DWG. NO.	
		S-1279	