

REINFORCING STEEL SHALL BE IN ACCORDANCE WITH C.S.A. STANDARD G 30.12 M BILLET - STEEL FOR CONCRETE REINFORCEMENT.

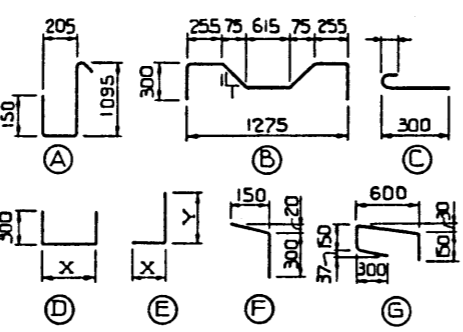
BAR LIST: FOR UNSKEWED GIRDER.

MARK	SIZE	NO.	TYPE	X	Y	LENGTH	MASS
G1001	10	228	C			430	77
G1002	10	87	B			1940	132
G1003	10	138	A			1550	168
G1004	10	8	STR.			600	4
G1501	15	12	STR.			10925	206
G1502	15	172	STR.			1435	388
G1503	15	10	E	450	450	900	14
G2001	20	4	D	1365		1965	19
G2002	20	6	D	1275		1875	26
G2003	20	4	STR.			1270	12
G2004	20	8	E	200	300	500	9
G2005	20	8	STR.			600	11
TOTAL kg							1066

* C1501	15	86	G			1200	162
** C1502	15	20	STR.			5450	171
TOTAL kg							590

ELEVATION
1:20

BAR TYPES:
(ALL BAR DIMENSIONS ARE OUT TO OUT)



NOTES:
* QUANTITY BASED ON 7 ANCHOR BOLT ASSEMBLIES. SEE BRIDGERAL LAYOUT FOR EACH BRIDGE FOR ACTUAL NUMBER OF ANCHOR BOLT ASSY.
** LENGTH BASED ON 5 500 mm JOINT SPACING. SEE CURB JOINT LAYOUT FOR EACH BRIDGE FOR ACTUAL JOINT SPACING.

DESIGN DATA:

- LOADING:**
LIVE LOAD - BRIDGE BRANCH MS-23
- 0.90 WHEEL LINE PER GIRDER.
DEAD LOAD - GIRDER = 1.25 t/m
- WEARING SURFACE AND SHEAR KEYS = 0.30 t/m
- FORCE IN PRESTRESSING STEEL:**
INITIAL TENSIONING LOAD: 128.6 kN/STRAND
DESIGN LOAD AFTER LOSSES: 96.1 kN/STRAND (INTERIOR GIRDER)
STRESS-RELIEVED LOW RELAXATION: 128.6 kN/STRAND
102.4 kN/STRAND
- CONCRETE:**
28 DAY STRENGTH: 35.0 MPa
RELEASE STRENGTH: 28.0 MPa
- ESTIMATED CAMBER OF BOTTOM OF INTERIOR GIRDER LEG AT TIME OF RELEASE = 24 mm (STRESS RELIEVED STRANDS)**
- THEORETICAL MASS OF ONE GIRDER IS 27.5 t (38.4 t WITH CURB)**

WORK THIS DRAWING IN CONJUNCTION WITH DRAWING NO. S-1399

NO.	DATE	DESCRIPTION	BY
78 06 22		DEAD LOAD NOTE	J.A.S.
78 06 09		CURB WEIGHT	A.W.
78 05 20		STABILIZED TO LOW RELAXATION	R.S.B.
78 02 23		NO. OF G2004 CHANGED IN BAR LIST	V.G.B.

APPROVED: *[Signature]* CHIEF BRIDGE ENGINEER
DATE: JAN 23/78

DESIGNED	DRAWN BY	DATE	CHECKED BY	DATE	STREAM	LOCATION	HWY. NO.	SCALE	FILE NO.	SHEET	DWG NO.
A.W.	M.M.F.	77 12 19	[Signature]	June 27/78				SHOWN		1 of 2	S-1361

DIMENSIONS ARE GIVEN IN mm (1)
MASS IN kg

Alberta TRANSPORTATION BRIDGE BRANCH
METRIC
PRESTRESSED CONCRETE
22 m TYPE FM-1170
GIRDER