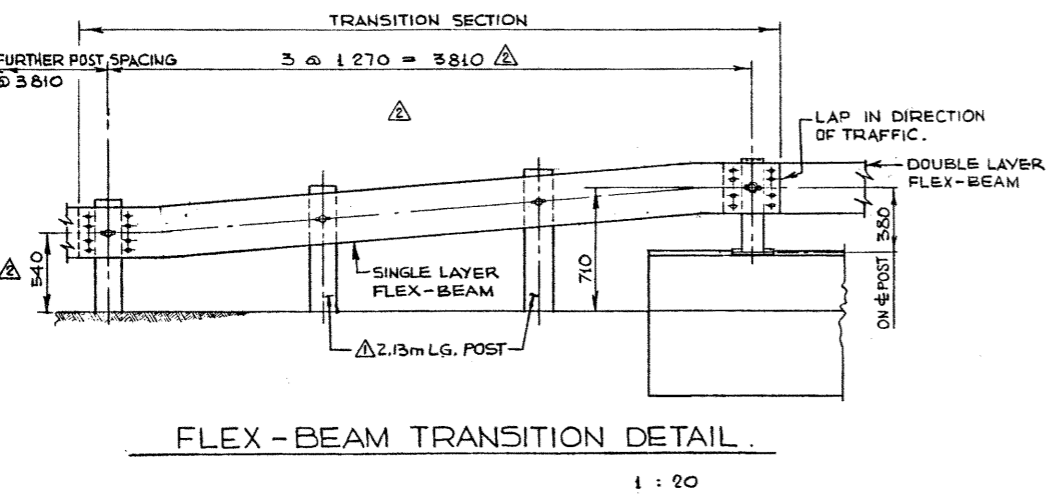
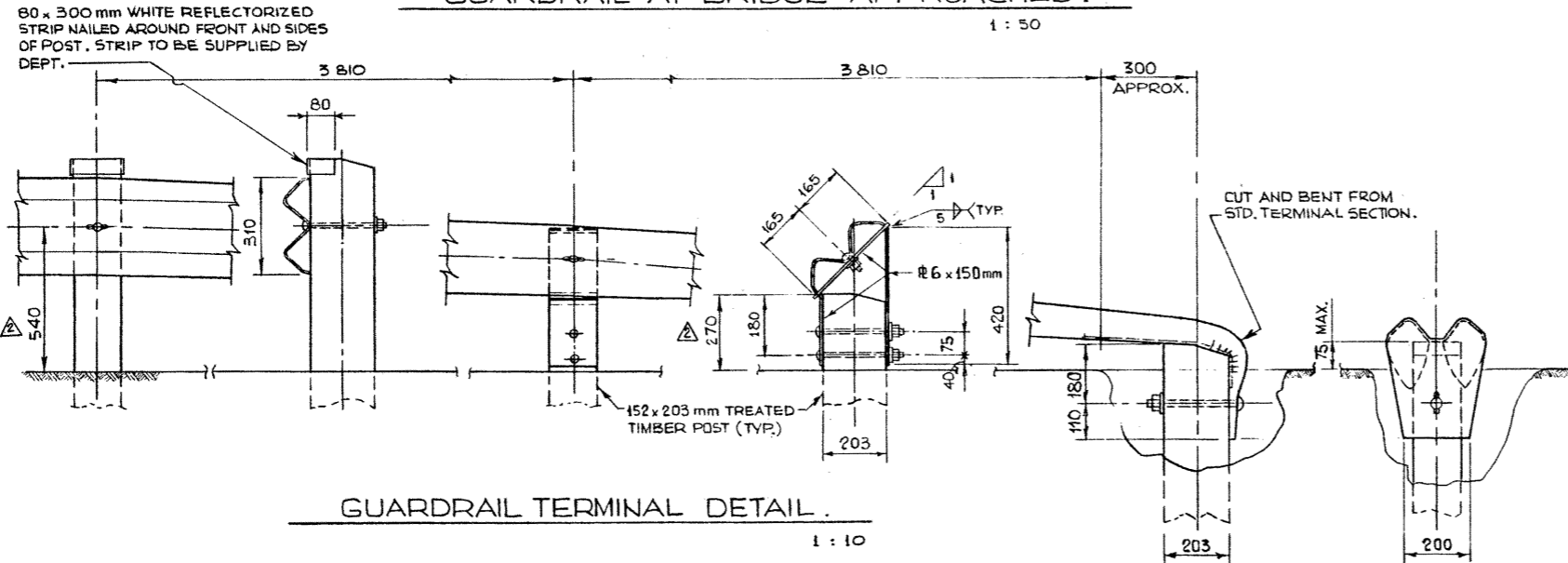


GUARDRAIL AT BRIDGE APPROACHES.
 1:50



SUPERSEDED

SUPERSEDED BY S-1471 AND S-1472
 JUNE 20, 1984 J44

- GENERAL NOTES :**
- DIMENSIONS ARE GIVEN IN mm.
 - RAIL SECTION TO BE LAPPED IN DIRECTION OF TRAFFIC.
 - ▲ POSTS ARE 1.52 m LONG EXCEPT AS NOTED.
 - ▲ POSTS TO BE FIRMLY TAMPED INTO GROUND.

WORK THIS DWG. IN CONJUNCTION WITH DWG'S :
 S-1400 - 850 mm TUBE TYPE BRIDGERAIL.
 S-1402 - 700 mm TUBE TYPE BRIDGERAIL.

APPROVED		Alberta TRANSPORTATION BRIDGE BRANCH		METRIC	
84-06-20 REVISED-SEE S-1471 AND S-1472 J.C.Y.		Johann		GUARDRAIL AT BRIDGE APPROACHES	
83-10-26 TRANSITION & RAIL HT. NOTES DELETED D.M.		CHIEF BRIDGE ENGINEER		DATE JULY 7/84	
82-07-16 POST LENGTH & INSTALLATION RWK		BY		DWG. NO. S-1403	
REVISIONS					
DESIGNED	DRAWN BY	DATE	CHECKED BY	DATE	STREAM
R. QUINTON	P. SZÖTS	78 03 08			
LOCATION		HWY. NO.	SCALE	FILE NO.	SHEET
			SHOWN		OF

