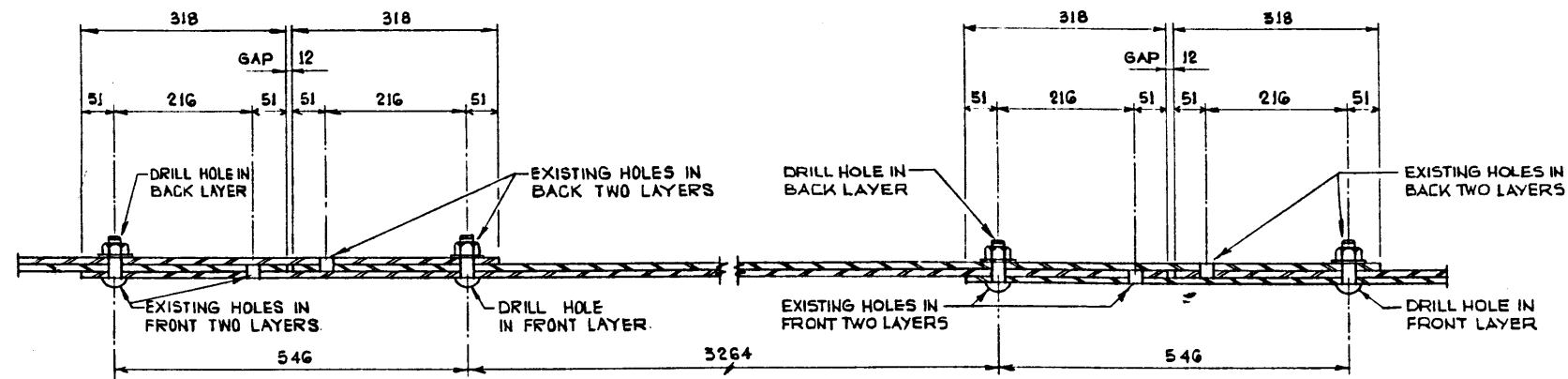


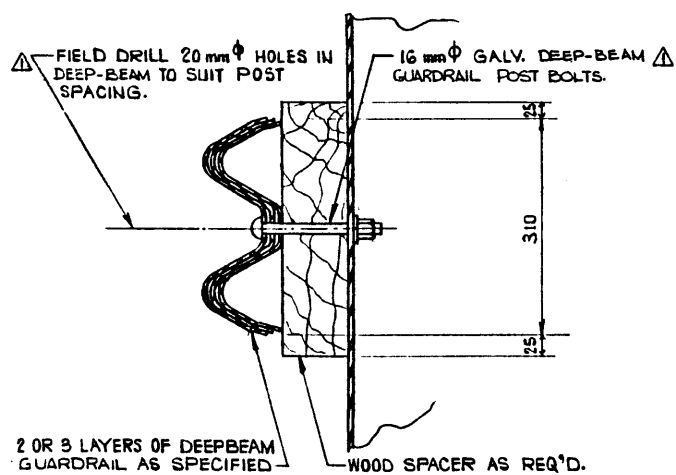
THREE LAYER SPLICE DETAIL
1:5



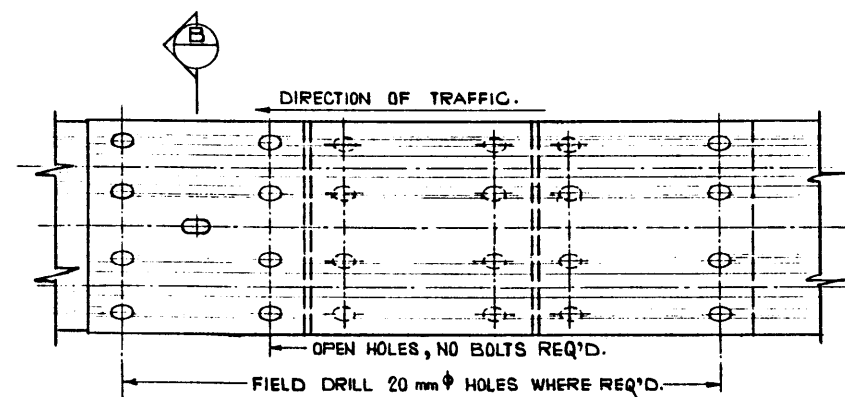
TWO LAYER SPLICE DETAIL
1:5

GENERAL NOTES

- DIMENSIONS ARE GIVEN IN mm.
- LAP IN DIRECTION OF TRAFFIC.



SECTION B
1:5



SECTION A
THREE LAYER 1:5
DEEP-BEAM
TWO LAYER SIMILAR

| | | | | | |
|----------------|-----------|-------------------------------------|------------|-------------|----------|
| APPROVED | | Albera TRANSPORTATION BRIDGE BRANCH | | METRIC | |
| DATE: 04-06-21 | | NOTES REVISED, DVG. TITLE | | J.C.V. | |
| NO. | | DATE | | DESCRIPTION | |
| REVISIONS | | | | | |
| DESIGNED | DRAWN BY | DATE | CHECKED BY | DATE | STREAM |
| R. QUINTON | F.W. BUDA | 78 04 05 | | | |
| LOCATION | HWY. NO. | SCALE | FILE NO. | SHEET | DWG. NO. |
| | | SHOWN | | | S-1405 |