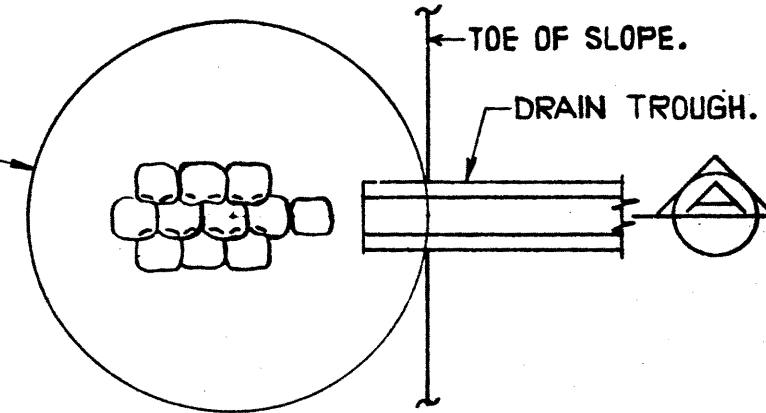


DRAIN TROUGH TERMINAL PROTECTION

DIMENSIONS ARE GIVEN IN mm.

N.T.S.

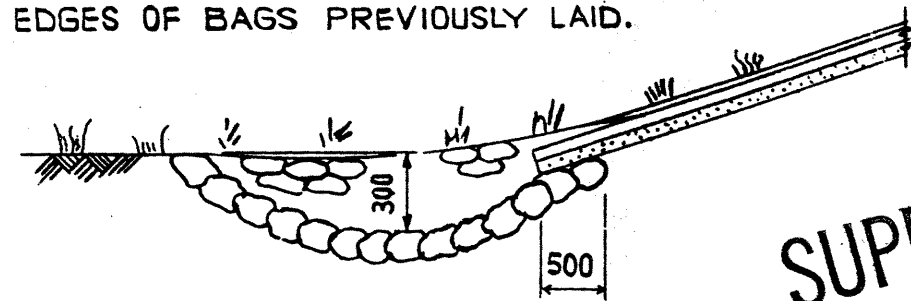
3: 000 mm DIA.
SINGLE LAYER
SAND BAG
RIP - RAP.



PLAN

NOTE:

PLACING OF BAGS TO START AT BOTTOM OF DISH AND PROCEED TOWARDS OUTER EDGES. EACH BAG TO BE PLACED SO AS TO LAP OVER EDGES OF BAGS PREVIOUSLY LAID.



SECTION

SUPERSEDED
BY 5-14-10-87-REV
ON SHEET ③

84
5-14-10-87
87-05-08

SUPERSEDED

APPROVED *[Signature]*
CHIEF BRIDGE ENGINEER

METRIC 5-1410

②

②