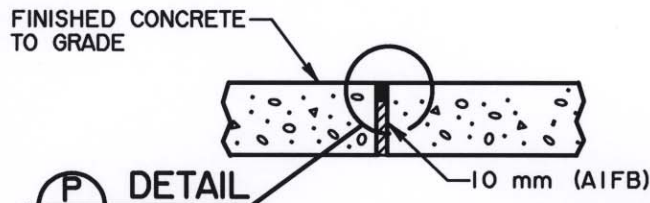
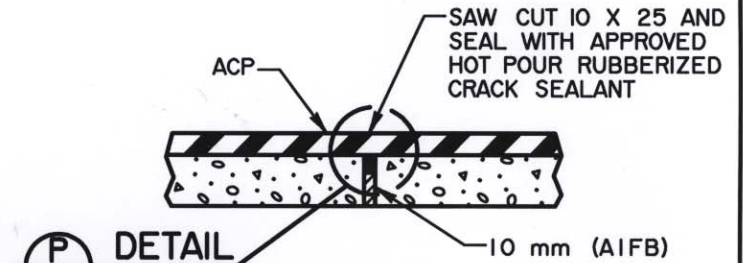


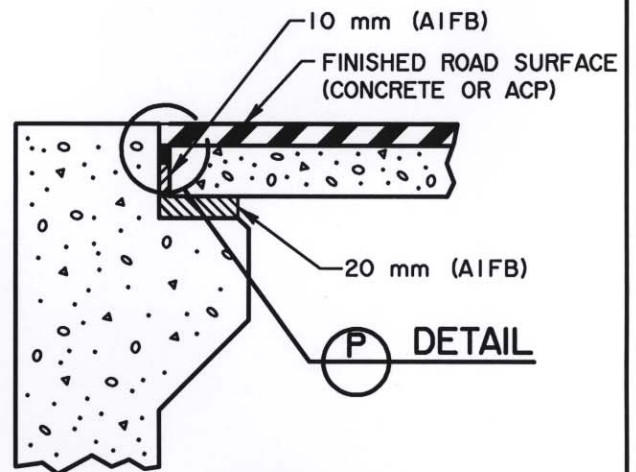
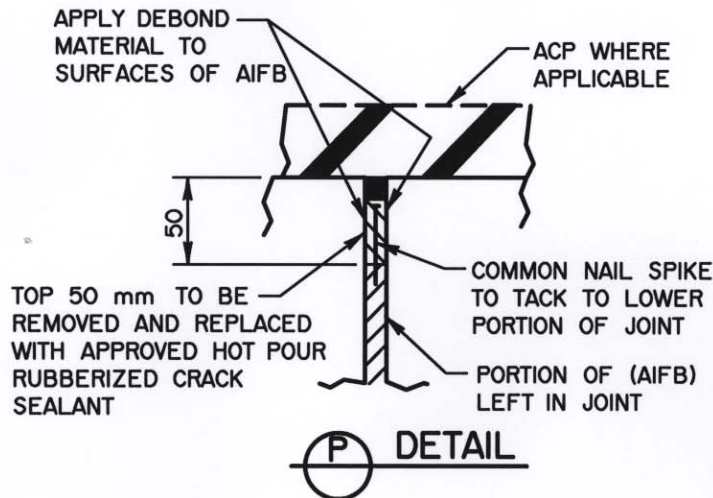
JOINT TYPE 1



JOINT TYPE 2 - CONCRETE GRADE



JOINT TYPE 2 - ACP GRADE



JOINT TYPE 3

GENERAL NOTES

- DIMENSIONS ARE GIVEN IN mm. DETAILS ARE NOT TO SCALE.
- ASPHALT IMPREGNATED FIBREBOARD (AIFB) SHALL CONFORM TO THE CURRENT ASTM SPECIFICATION D1751 FOR PREFORMED EXPANSION JOINT FILLERS.

PLOTTED NOVEMBER 01, 2011 5:14:11X87.RWG

6	2011-11-01	GENERAL ACP DETAILS	CM
5	2003-04-17	REVISED JOINTS TO INCLUDE ACP SURFACE	RY
4	99-04-14	REVISED JOINT 3	RY
3	99-03-29	BEB CHANGED TO TSB	RY
2	94-11-30	PAGE NUMBER	RJR
1	87-03-04	REDRAWN FROM S-1411	DHQ
NO	DATE	REVISIONS	BY

Alberta TRANSPORTATION AND UTILITIES
TECHNICAL STANDARDS BRANCH

**STANDARD
CONCRETE JOINTS**

DESIGNED DHQ	DRAWN MIK	DATE 87-03-04	APPROVED EXECUTIVE DIRECTOR	SIGNATURE <i>Wm. Boyd</i>	DATE 11/28/87	PAGE 4.33	DRAWING S-1411-87
-----------------	--------------	------------------	--------------------------------	------------------------------	------------------	--------------	----------------------