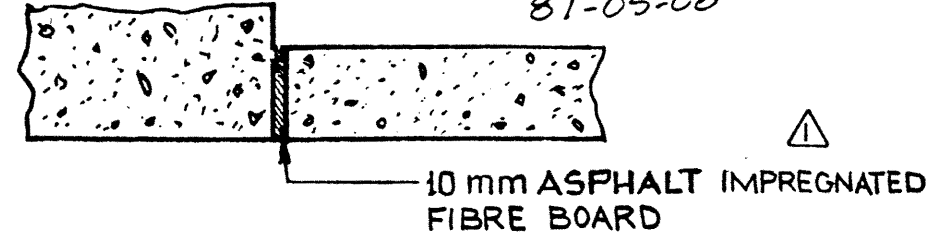
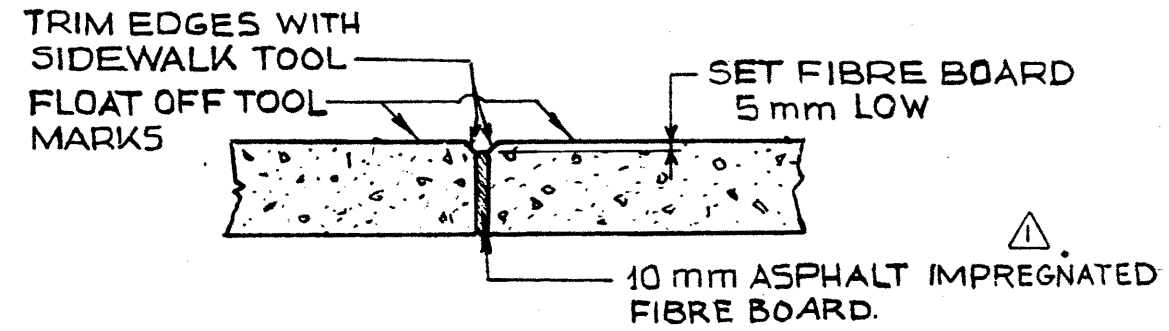


STANDARD CONCRETE JOINTS.

**SUPERSEDED** BY S-1411-87 87-05-08 N.T.S.



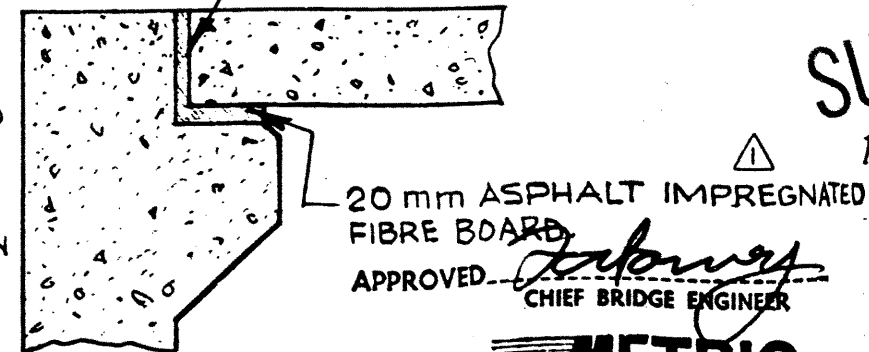
TYPE 1 JOINT.



TYPE 2 JOINT

10 mm ASPHALT IMPREGNATED FIBRE BOARD (SET FLUSH WITH SURFACE).

NOTE:  $\triangle$  ASPHALT IMPREGNATED FIBRE BOARD TO CONFORM TO ASTM SPECIFICATION D1751 FOR PREFORMED EXPANSION JOINT FILLERS.



TYPE 3 JOINT

**METRIC**

S-1411

$\triangle$  NOTE ADDED 84-04-16

**SUPERSEDED**  
BY S-1411-87  
Redrawn (87-03-04)  
ON SHEET (3)

APPROVED: *[Signature]*  
CHIEF BRIDGE ENGINEER

2