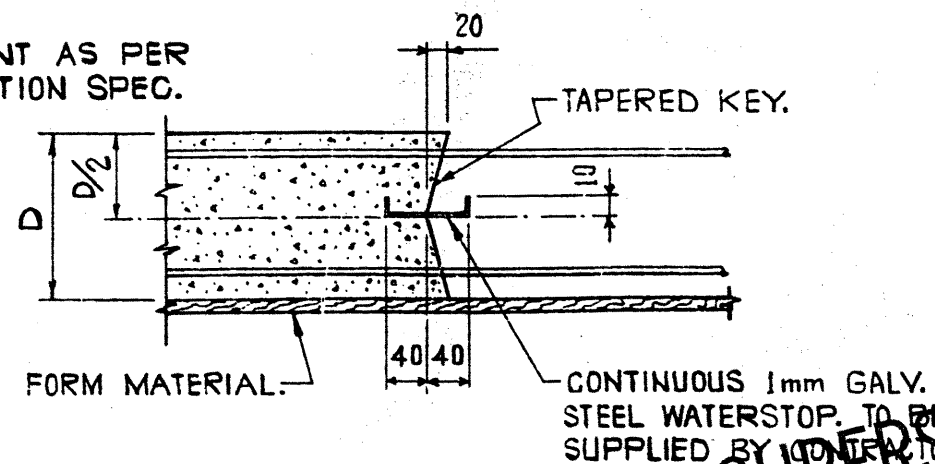


THIN WALL DETAIL
N.T.S.

PIER SHAFT DETAIL
N.T.S.

CLEAN JOINT AS PER
CONSTRUCTION SPEC.



SLAB DETAIL
N.T.S.

SUPERSEDED
BY S-1412-87
REV D

METRIC

SUPPLEMENTARY
 BY S-1412-87
 87-05-CB

APPROVED *[Signature]*
CHIEF BRIDGE ENGINEER

		TRANSPORTATION BRIDGE BRANCH
STANDARD CONSTRUCTION JOINT DETAILS		
BY: F.BUDA	DATE: 77 08 17	DWG. No. S-1412