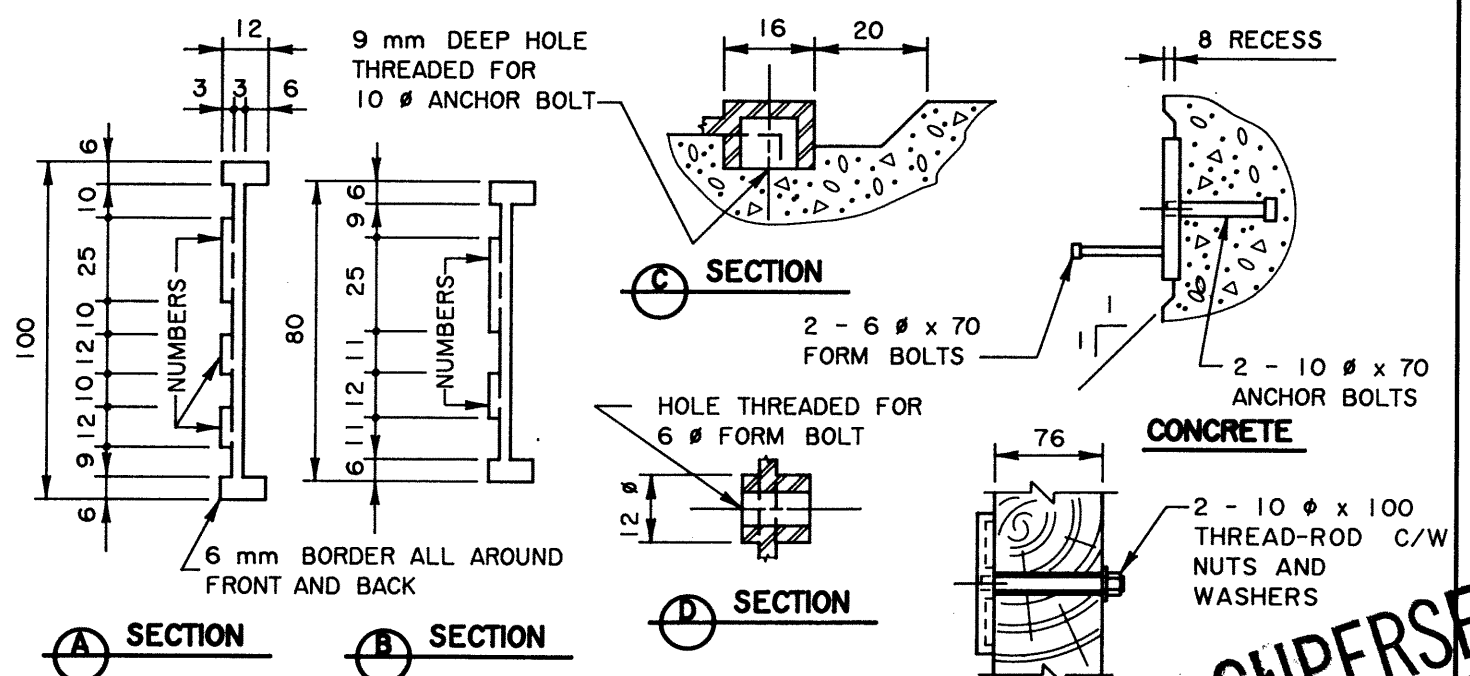


**IRRIGATION CANAL
BRIDGE PLAQUE**

**SMALL BRIDGE
PLAQUE**

SITE IDENTIFICATION DETAILS



FABRICATION DETAILS

INSTALLATION DETAILS

GENERAL NOTES

- DIMENSIONS ARE GIVEN IN mm. DETAILS ARE NOT TO SCALE. DIMENSIONS ARE TYPICAL UNLESS SHOWN OTHERWISE.
- THE FILE NUMBER AND YEAR OF CONSTRUCTION WILL BE SHOWN ON THE CONTRACT DRAWINGS. IRRIGATION DISTRICT INITIALS AND SITE NUMBER WILL BE INCLUDED WHERE APPLICABLE.
- PLAQUES SHALL BE CAST ALUMINUM. ALL SURFACES SHALL BE COVERED WITH BLACK BAKED ENAMEL EXCEPT FOR THE FULL FRONT BORDER & THE NUMERALS & LETTERS WHICH SHALL BE EXPOSED ALUMINUM.
- THE PLAQUES WILL BE SUPPLIED BY THE DEPARTMENT.

DRAFTING STANDARDS PAGE: 8.2

				Albera TRANSPORTATION AND UTILITIES BRIDGE ENGINEERING BRANCH	
90-11-01	BLACK ENAMEL SURFACES	DHQ			
90-05-29	TIMBER INSTALLATION ADDED	DHQ			
87-03-27	REDRAWN FROM S-1424	DHQ			
NO	DATE	REVISIONS	BY	STANDARD IRRIGATION CANAL BRIDGE AND SMALL BRIDGE PLAQUES	
DESIGNED DHQ	DRAWN MIK	DATE 87-03-27	APPROVED EXECUTIVE DIRECTOR		
		SIGNATURE <i>manoyd</i>	DATE Nov 2, 1990	PAGE 13.5	DRAWING S-1424-87

SUPERSEDED
BY S-1424-87
Rev 1/4 on
sheet 5

4