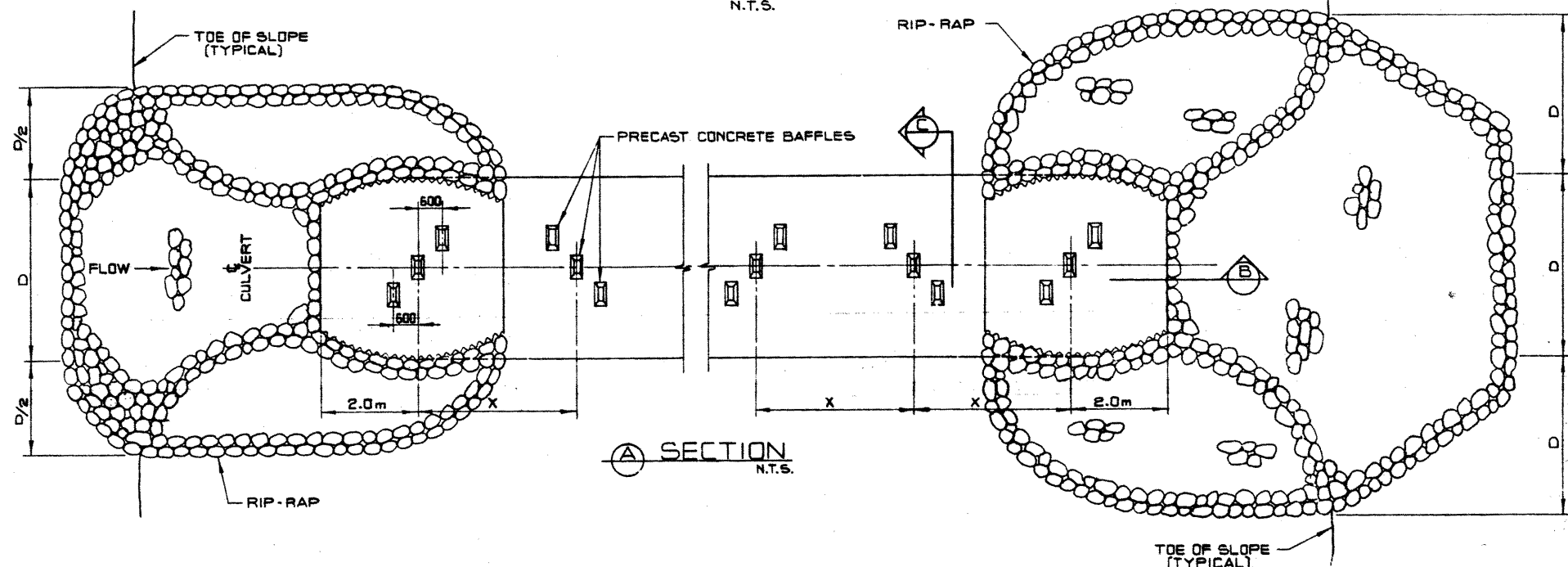


ELEVATION
N.T.S.

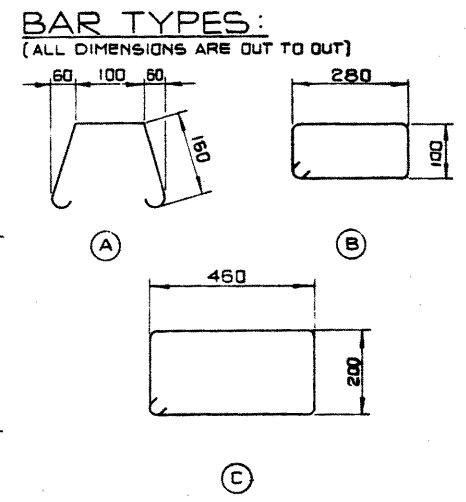


SECTION
N.T.S.

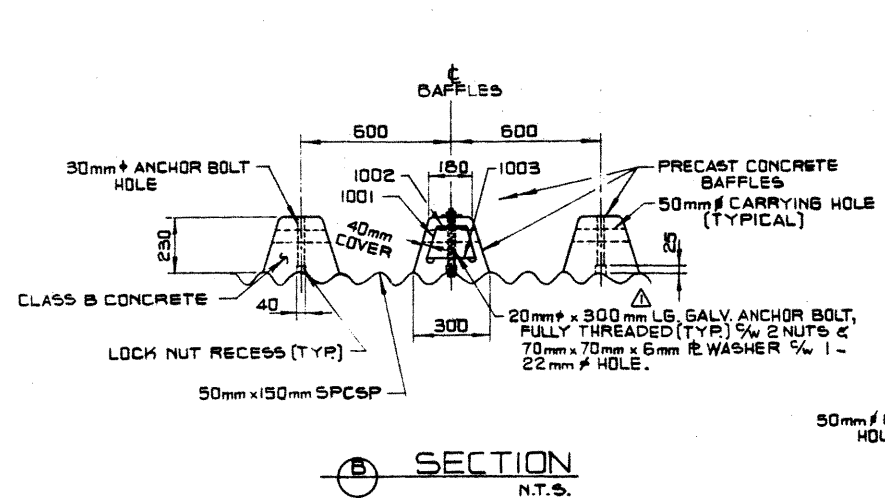
BAR LIST: (1 BAFFLE ONLY)

MARK	SIZE	No.	TYPE	LENGTH	MASS
1001	10	2	A	660	1.10
1002	10	1	B	960	0.75
1003	10	1	C	1520	1.20

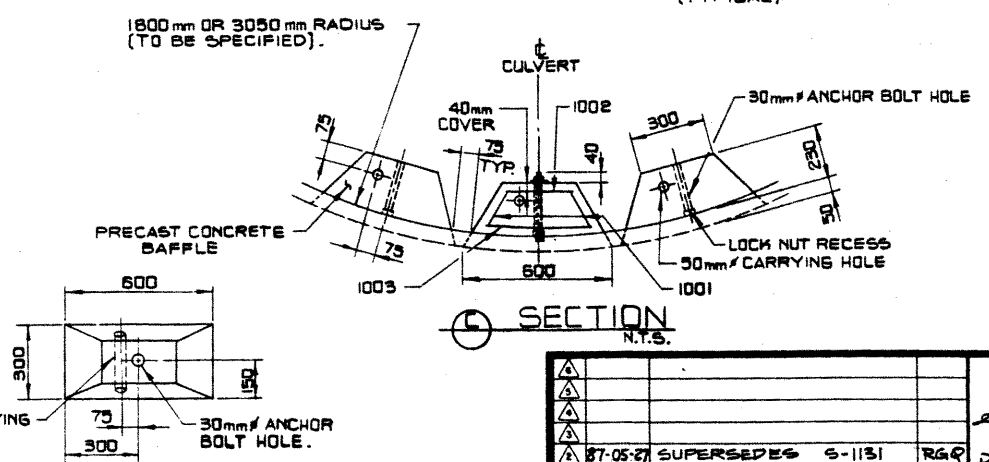
TOTAL MASS: 3.05kg



- GENERAL NOTES:
- ALL DIMENSIONS ARE GIVEN IN mm UNLESS NOTED OTHERWISE.
 - ANCHOR BOLTS WITH LOCKNUT FOR PRECAST CONCRETE BAFFLES TO BE INSTALLED DURING THE ASSEMBLY OF THE SPCSP.
 - ALL ANCHOR BOLTS TO BE TORQUED TO 270N.m
 - RIP-RAP TO BE PLACED TO THE DIMENSIONS SHOWN.
 - PRECAST BAFFLES & ANCHOR BOLT ASSEMBLIES SUPPLIED BY DEPARTMENT.
 - OTHER ASSEMBLY & INSTALLATION DETAILS AS PER STD. DWS. S-1418.



SECTION
N.T.S.



BAFFLE PLAN
N.T.S.

SUPERSEDED
BY 5-1436 REV 3
(91-07-24)

BOTTOM RADIUS OF BAFFLE: mm
BAFFLE SPACING: m

APPROVED SIGNATURE		METRIC		Aberta TRANSPORTATION Regional Transportation Services	
87-05-27 SUPERSEDES S-1131 RGR		INSTALLATION OF PRECAST CONCRETE BAFFLES		DATE: July 10/79	
79 0718 ANCHOR BOLT LENGTH S.T.					
REVISIONS					
DESIGNED	DRAWN BY	DATE	CHK'D BY	DATE	STREAM
S. TAMHAR	A. P. P.	79 07 08			
LOCATION	HWY. NO.	SCALE	FILE NO.	SHEET	DWS. NO.
		N.T.S.		of	S-1436