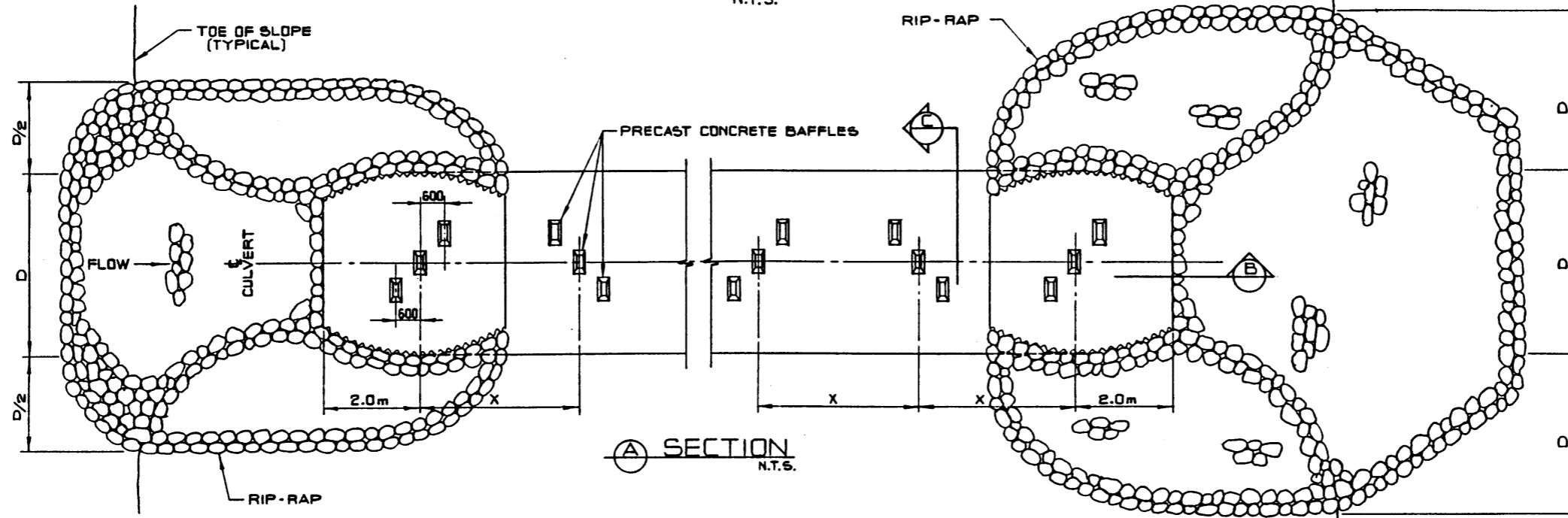


ELEVATION
N.T.S.



SECTION
N.T.S.

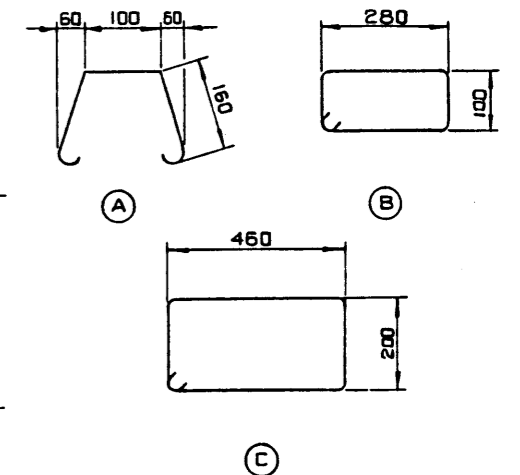
BAR LIST: (1 BAFFLE ONLY)

MARK	SIZE	No.	TYPE	LENGTH	MASS
1001	10	2	A	680	1.10
1002	10	1	B	960	0.75
1003	10	1	C	1520	1.20

TOTAL MASS: 3.05kg

BAR TYPES:

(ALL DIMENSIONS ARE OUT TO OUT)

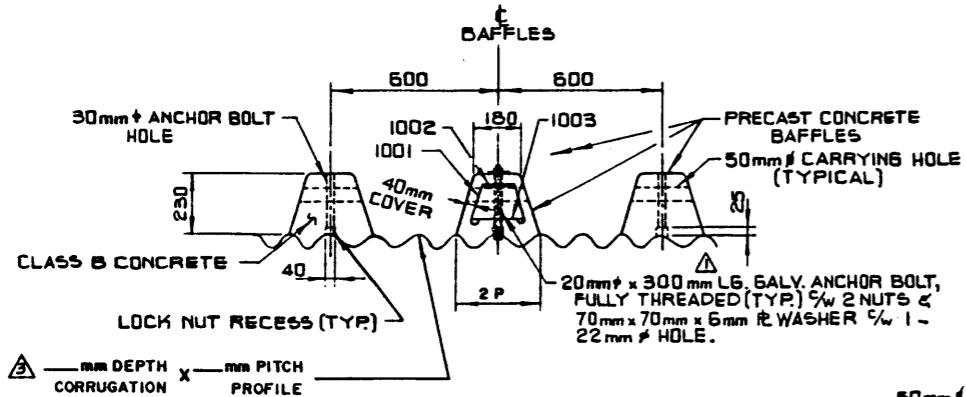


GENERAL NOTES:

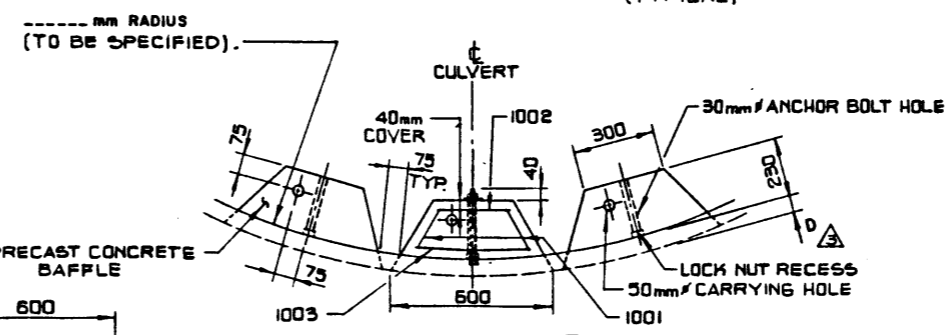
- ALL DIMENSIONS ARE GIVEN IN mm UNLESS NOTED OTHERWISE.
- ANCHOR BOLTS WITH LOCKNUT FOR PRECAST CONCRETE BAFFLES TO BE INSTALLED DURING THE ASSEMBLY OF THE SPCSP OR C.S.P. CULVERT.
- ALL ANCHOR BOLTS TO BE TORQUED TO 270N.m
- RIP-RAP TO BE PLACED TO THE DIMENSIONS SHOWN.
- PRECAST BAFFLES & ANCHOR BOLT ASSEMBLIES SUPPLIED BY DEPARTMENT.
- OTHER ASSEMBLY & INSTALLATION DETAILS AS PER STD. DWS. S-1418.

TABLE OF CORRUGATION PROFILES

	PITCH P (mm)	DEPTH D (mm)
S.P.C.S.P.	150	50
C.S.P.	125	25
	75	25
	68	13



SECTION
N.T.S.



BAFFLE PLAN
N.T.S.

BOTTOM RADIUS OF BAFFLE : mm
 BAFFLE SPACING : m
 DIMENSION X : mm
 DIMENSION Y : mm

NO.	DATE	DESCRIPTION	BY
91-07-24		ADDITIONS TO SECTIONS B & C ADDER CORRUGATION PROFILES TABLE	M.E.K.
87-05-27		SUPERSEDES S-1131	RG&P
79-07-18		ANCHOR BOLT LENGTH	S.T.

APPROVED
 SIGNATURE
 TITLE
 DATE July 10/79

METRIC

Alberta
 TRANSPORTATION
 Regional Transportation Services

INSTALLATION OF
 PRECAST CONCRETE
 BAFFLES

DESIGNED	DRAWN BY	DATE	CHEK'D BY	DATE	STREAM	LOCATION	HWY. NO.	SCALE	FILE NO.	SHEET	DWG. NO.
S.TAHMARI	A.F.P.	79-07-09						N.T.S.		of	S-1436