


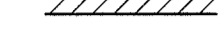
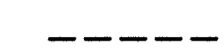

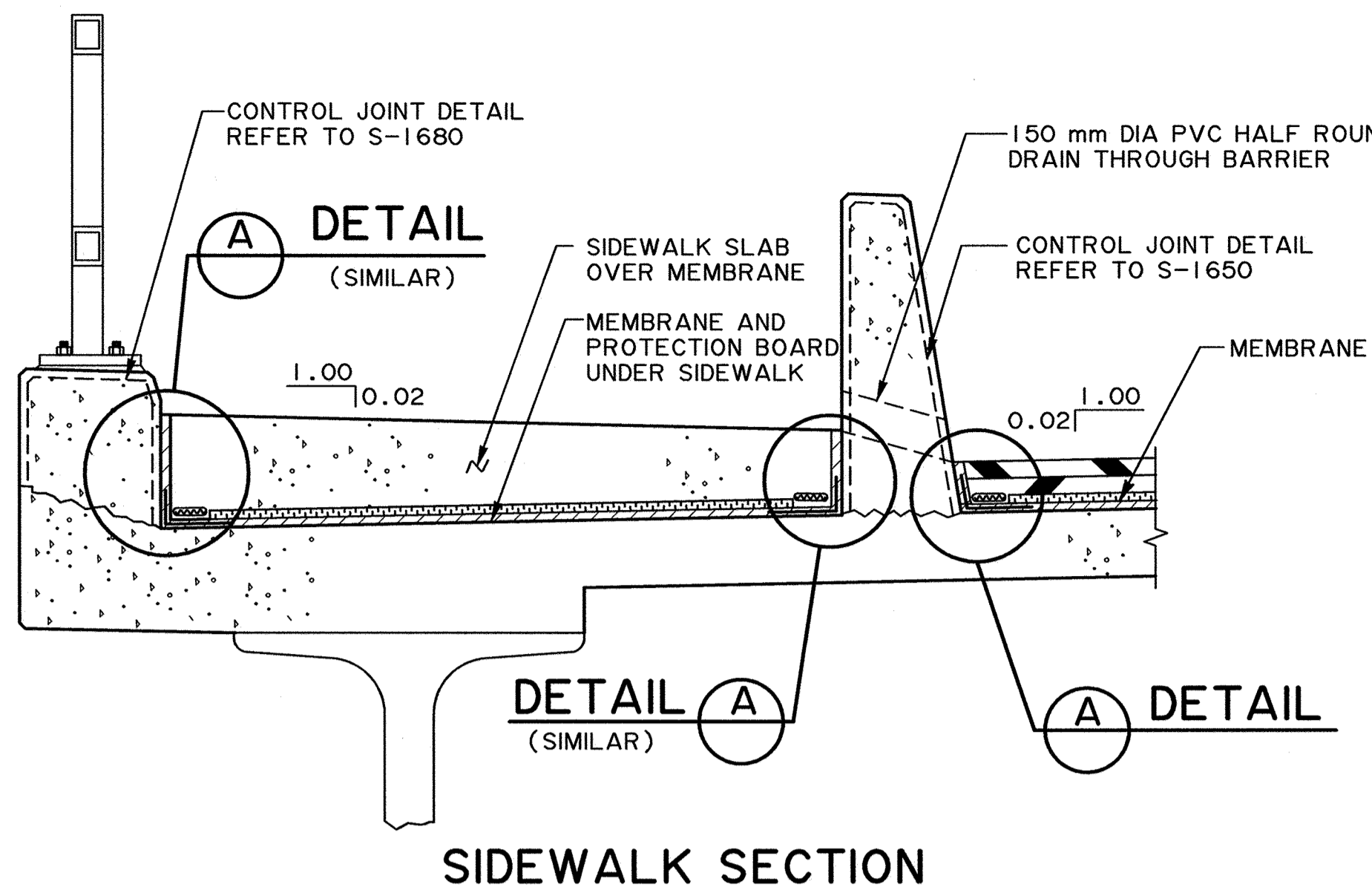


GENERAL NOTES

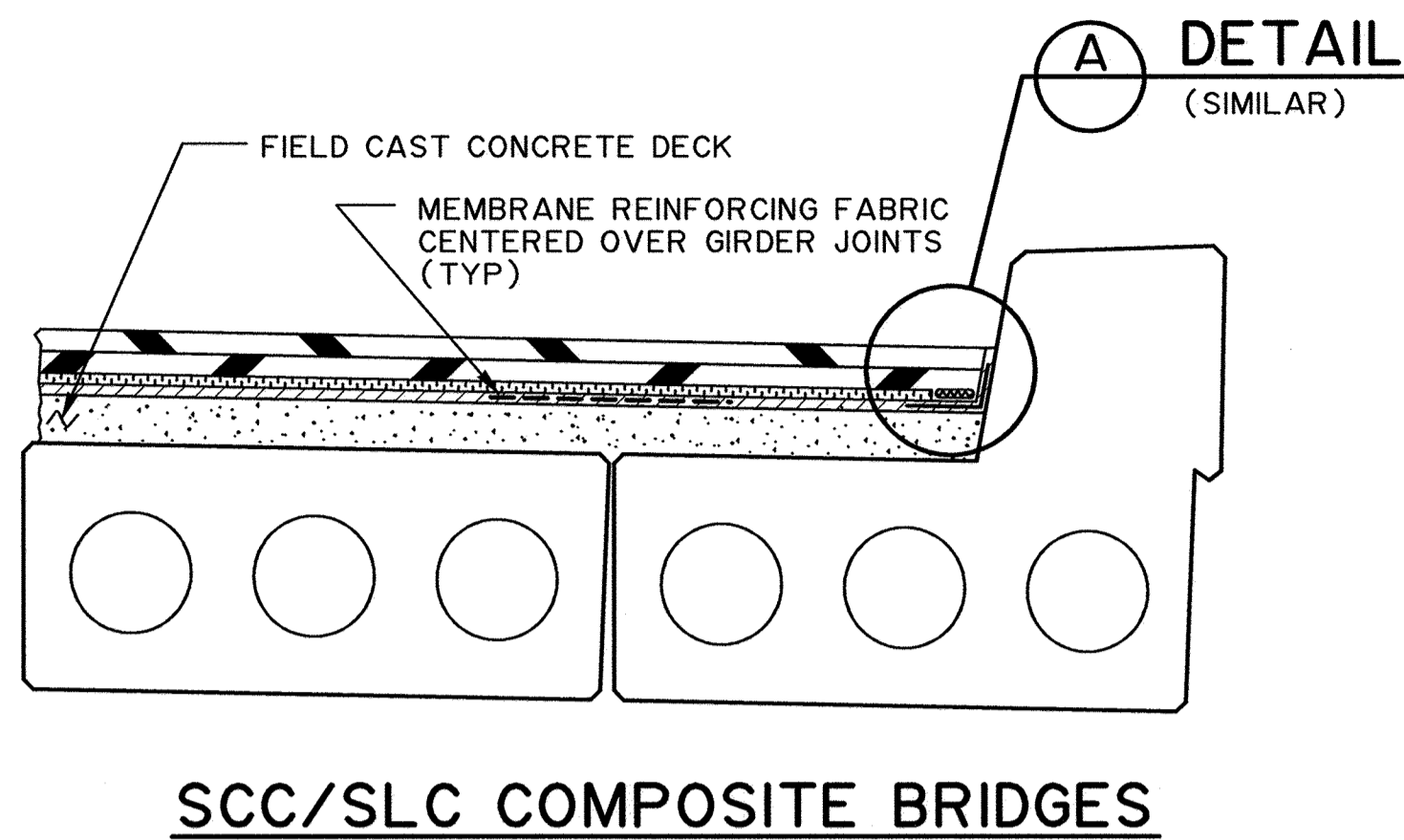
DECK WATERPROOFING SYSTEM SHALL CONFORM TO THE REQUIREMENTS OF SECTION 16, BRIDGE DECK WATERPROOFING OF THE SPECIFICATIONS FOR BRIDGE CONSTRUCTION

LEGEND

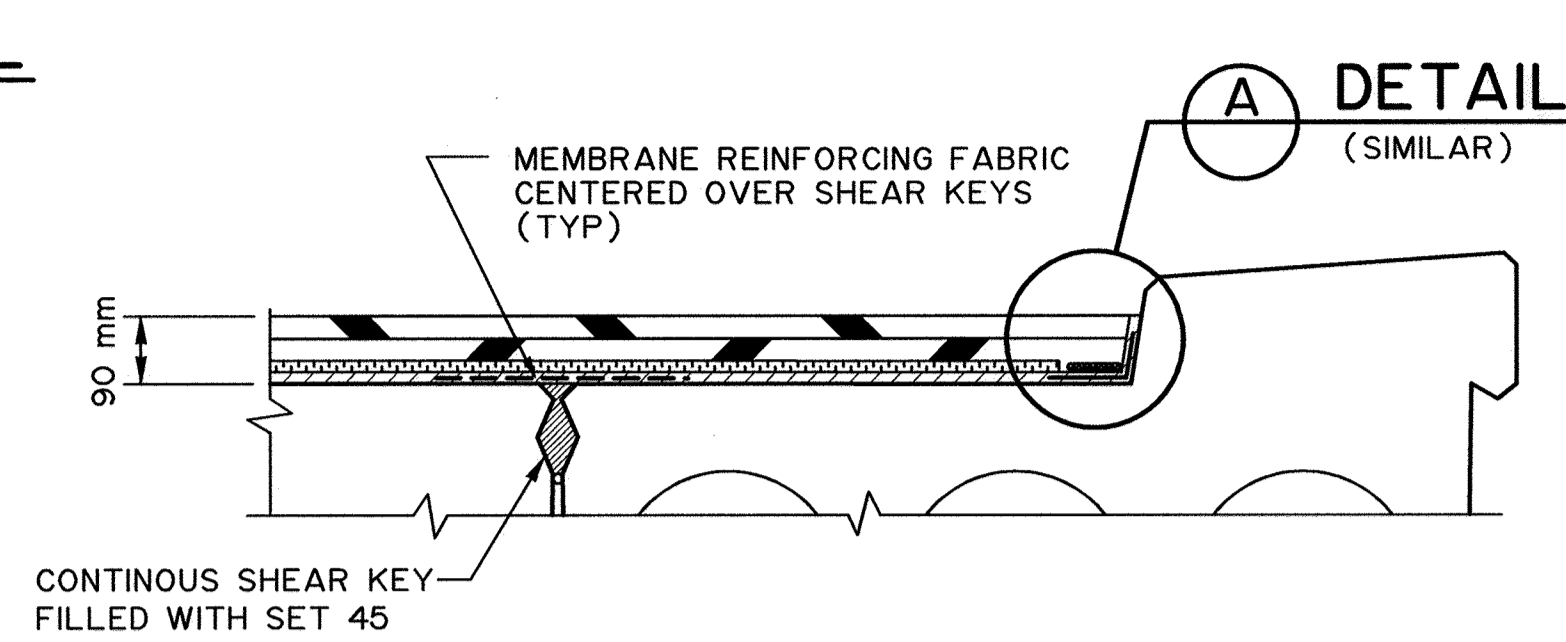
-  80 mm TWO-COURSE HOT-MIX ASPHALTIC CONCRETE PAVEMENT
-  3.2 mm PROTECTION BOARD
-  5 mm ASPHALT MEMBRANE
-  MEMBRANE REINFORCING FABRIC
-  1.2 mm RUBBER MEMBRANE
-  3.6 mm WICK DRAIN



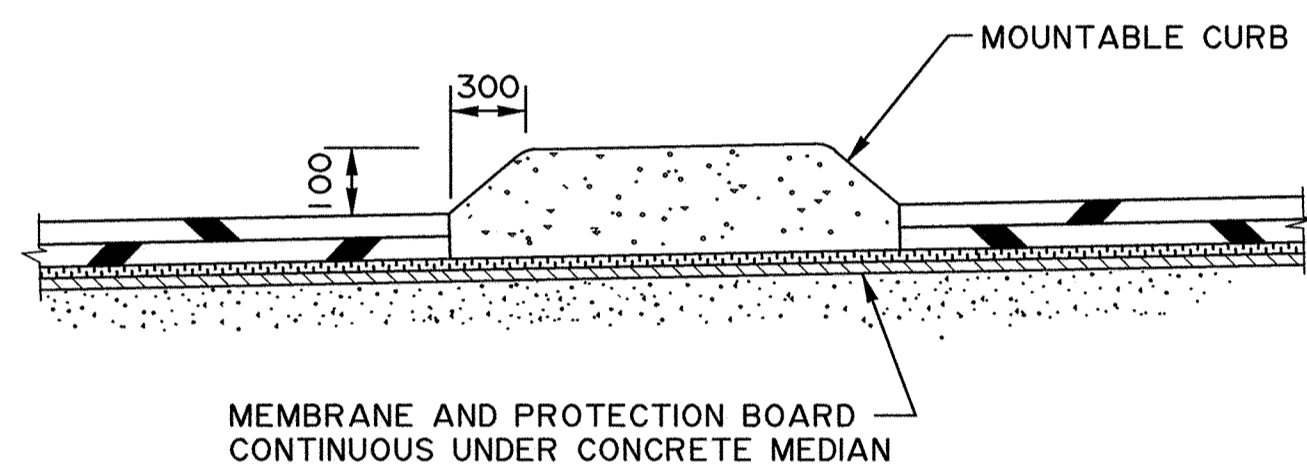
SIDEWALK SECTION



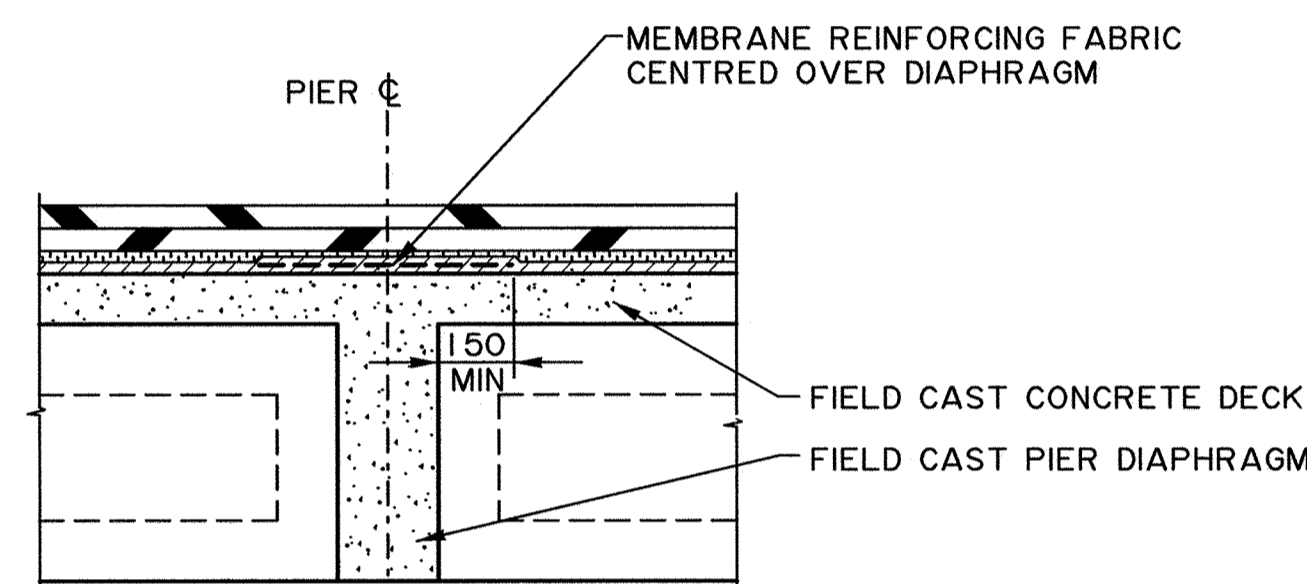
SCC/SLC COMPOSITE BRIDGES



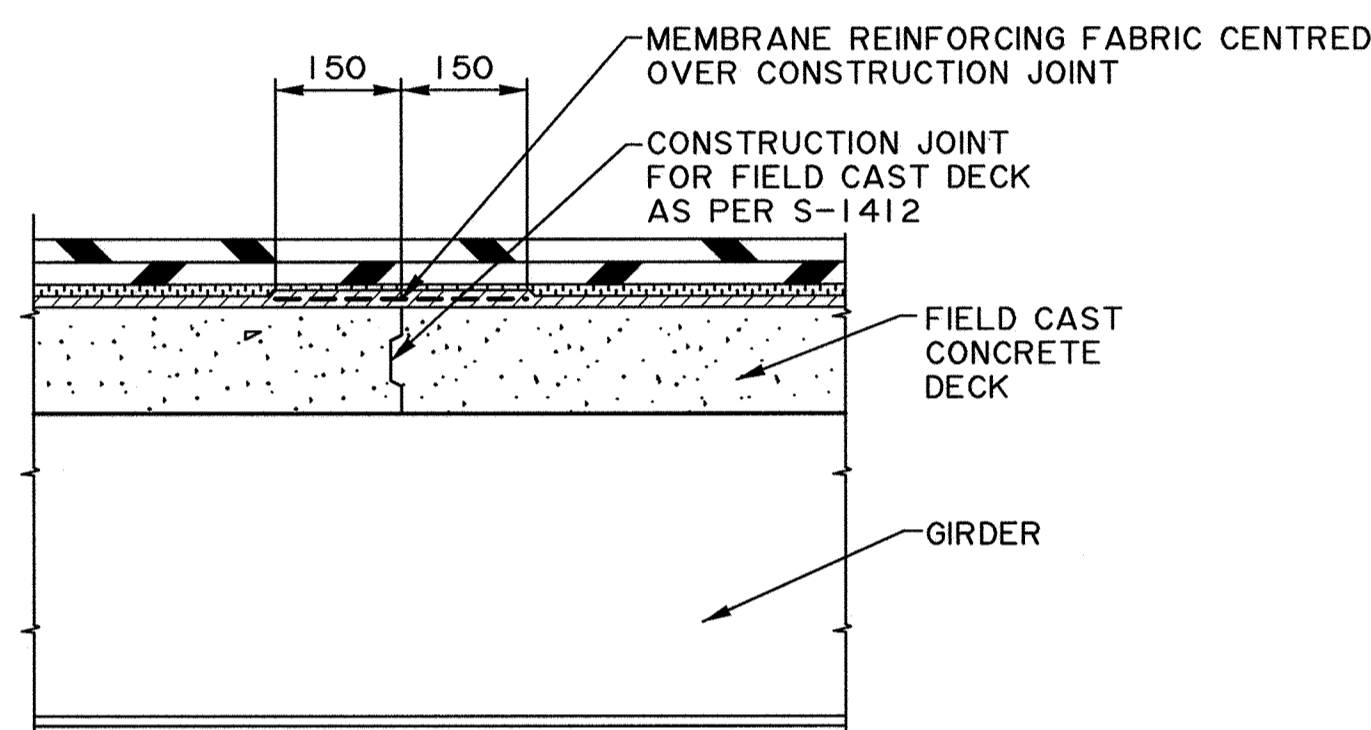
NON-COMPOSITE SLW BRIDGES



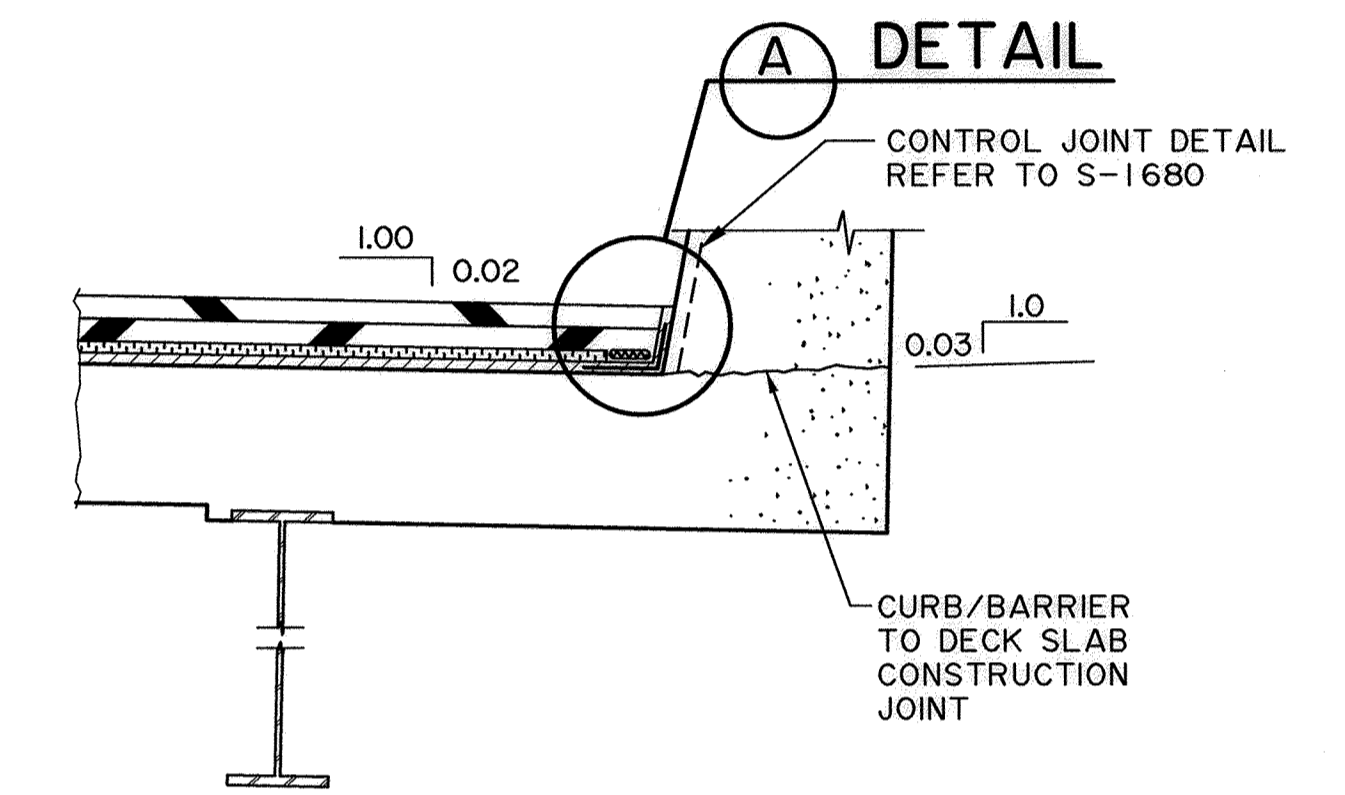
MEDIAN ON DECK



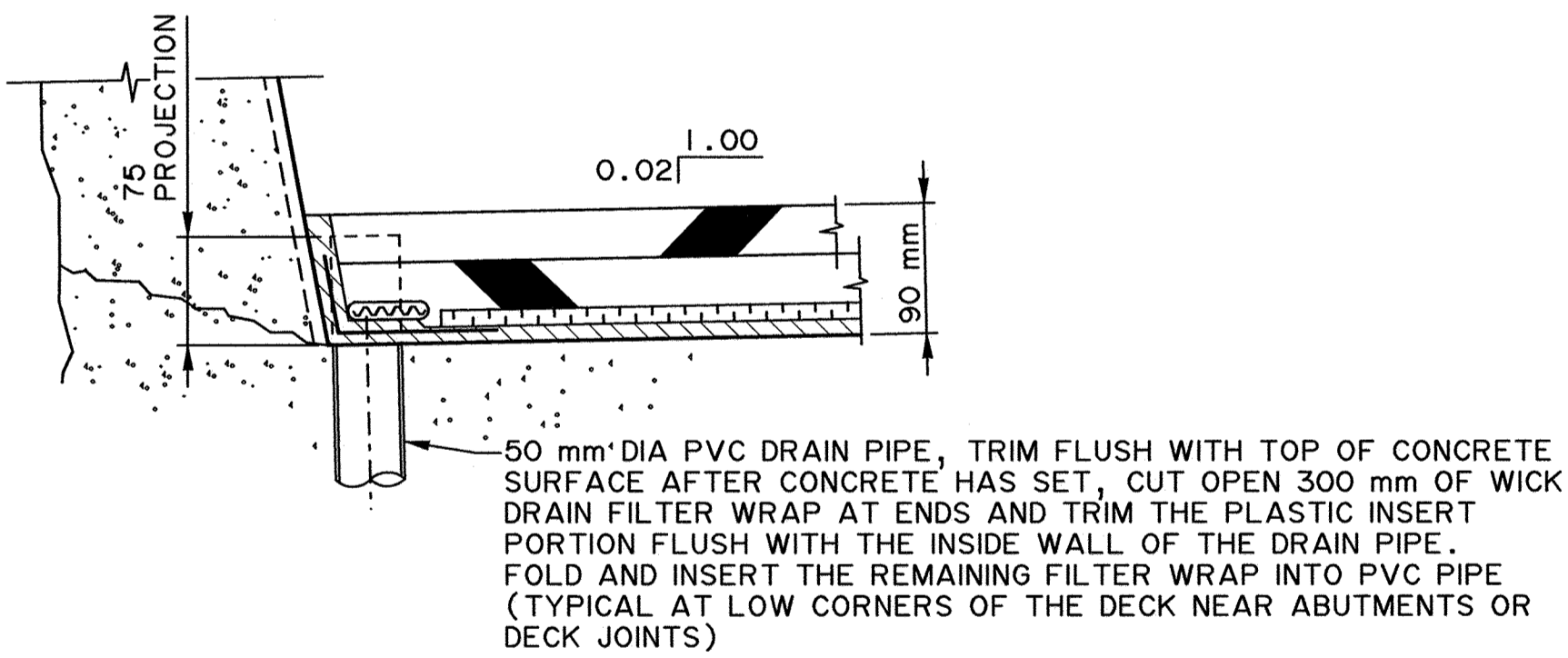
PRECAST GIRDERS WITH CAST-IN-PLACE PIER DIAPHRAGMS



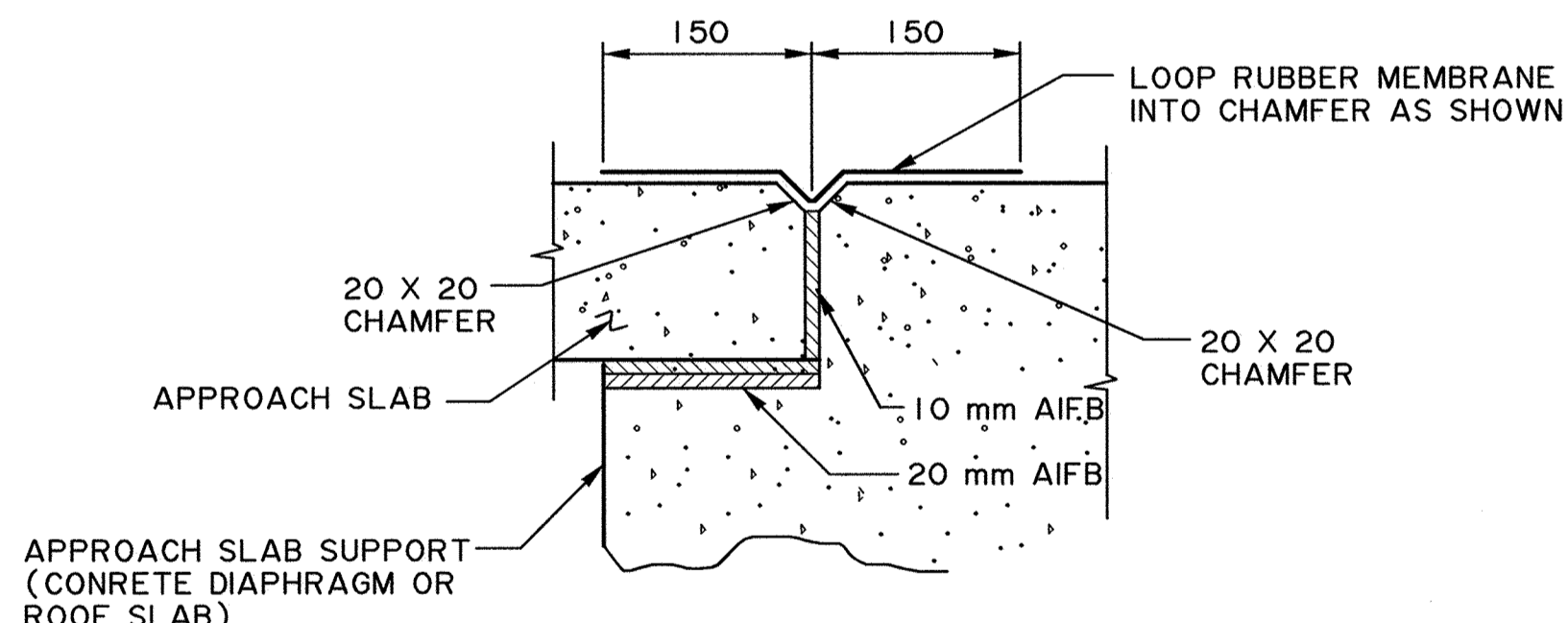
CAST-IN-PLACE DECK CONSTRUCTION JOINTS



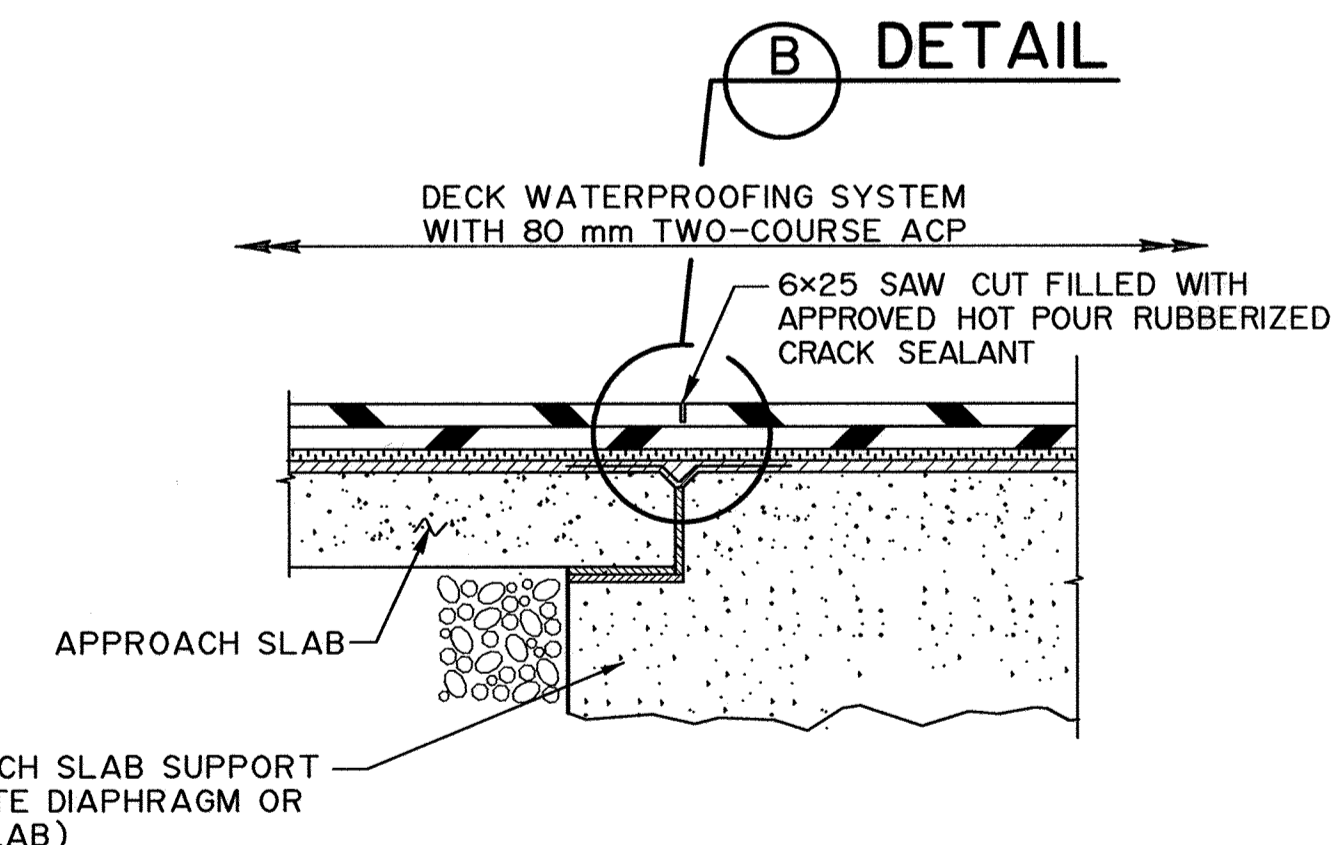
STEEL OR NU GIRDER BRIDGES WITH FIELD CAST DECK



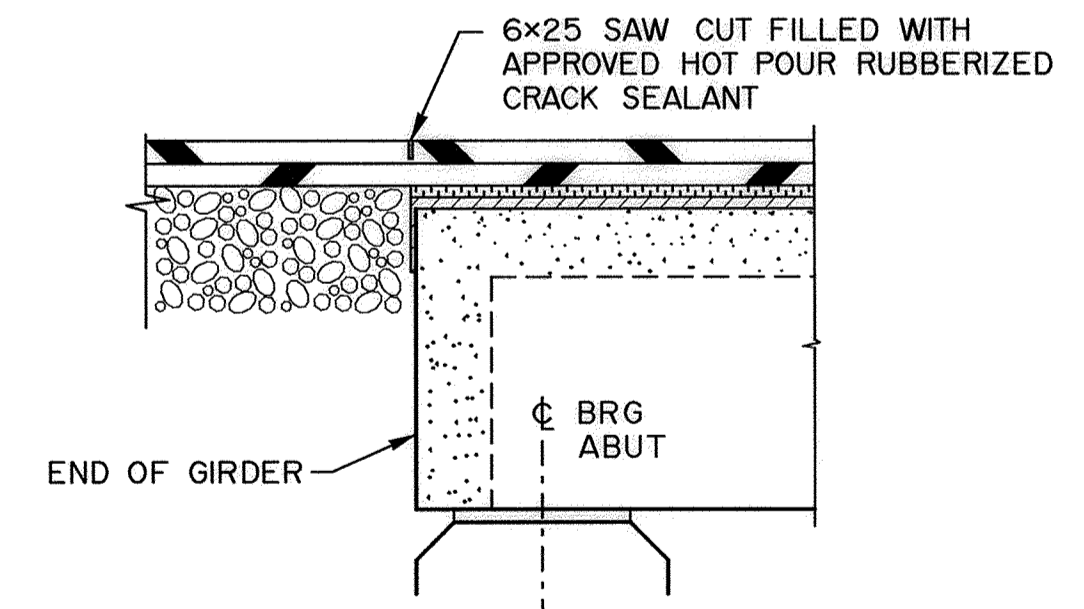
PVC DRAIN PIPE DETAIL



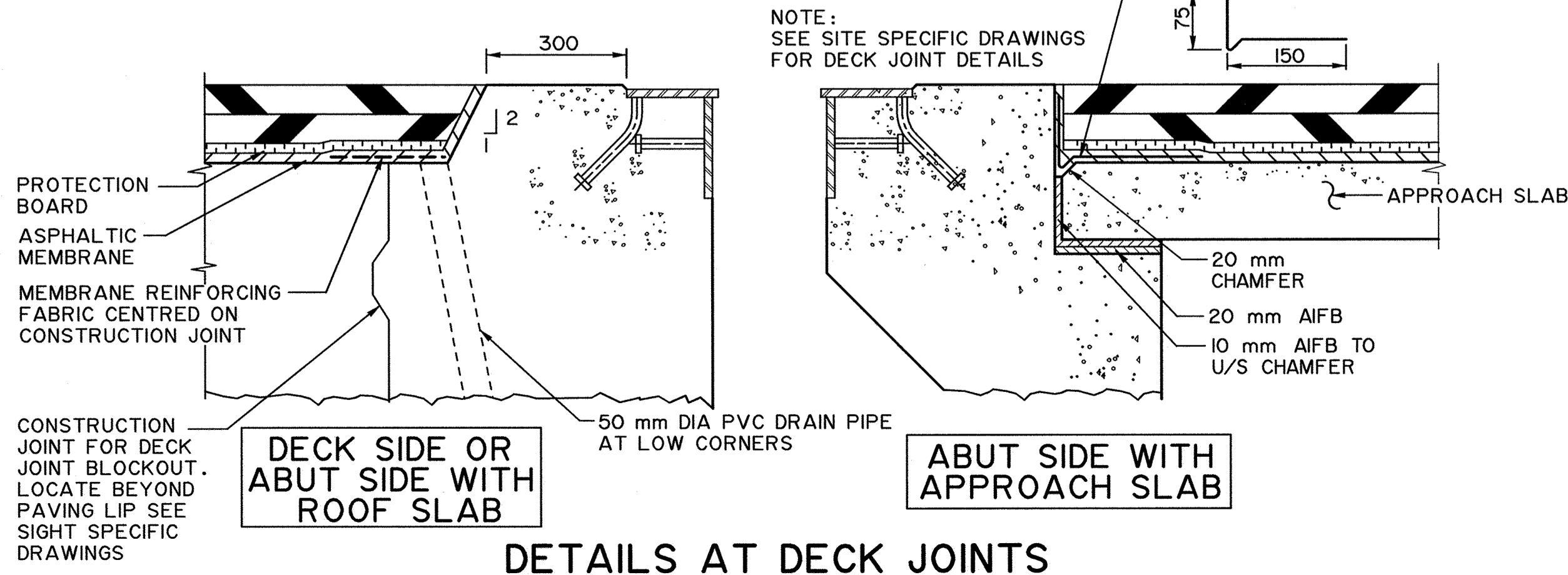
CHAMFER DETAIL



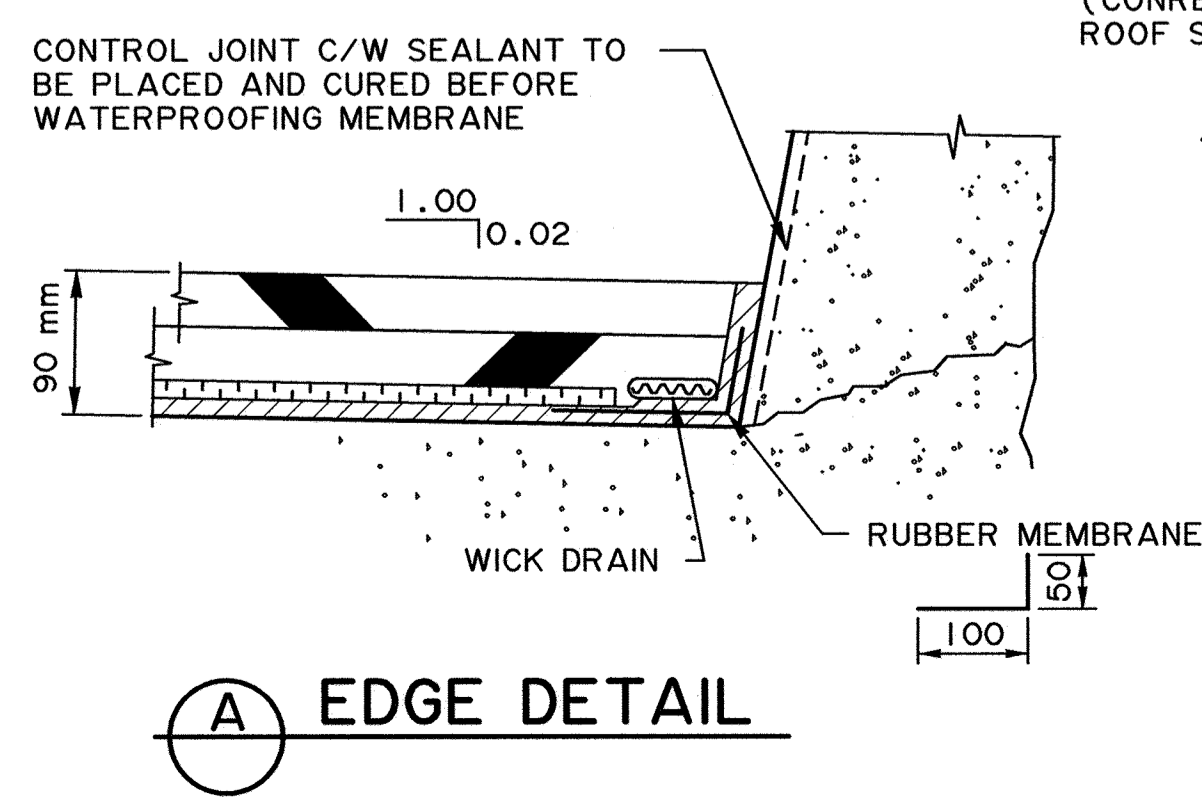
DETAILS AT APPROACH SLAB SUPPORT (EXCEPT AT SLEEPER SLAB)



DETAILS AT BRIDGE ENDS WITHOUT APPROACH SLABS



DETAILS AT DECK JOINTS



EDGE DETAIL

DESIGNED		DRAWN		DATE		CHECKED		DATE		STREAM		LOCATION		HIGHWAY		FILE		SHEET		DRAWING	
RY		WJW		98-12-10		CTC												1 OF 1		S-1443-11	

ORIGINAL DRAWING APPROVED BY ALLAN KWAN EXECUTIVE DIRECTOR TECHNICAL STANDARDS BRANCH JANUARY 12, 1999	Government of Alberta ■ Transportation DECK WATERPROOFING SYSTEM WITH 80 mm TWO-COURSE HOT-MIX ASPHALT CONCRETE PAVEMENT
--	---

WS 2012-01-18 S1443-11.RV1.DGN