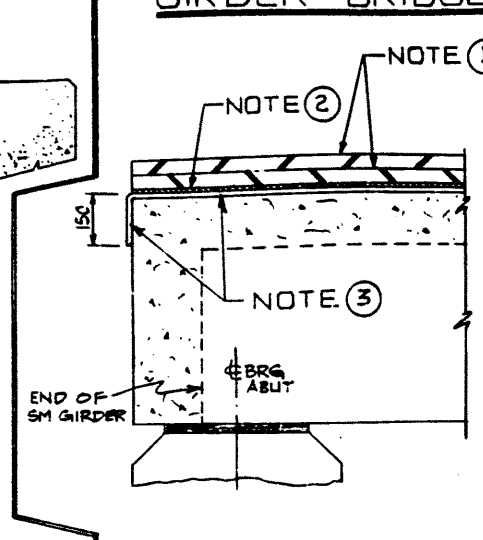
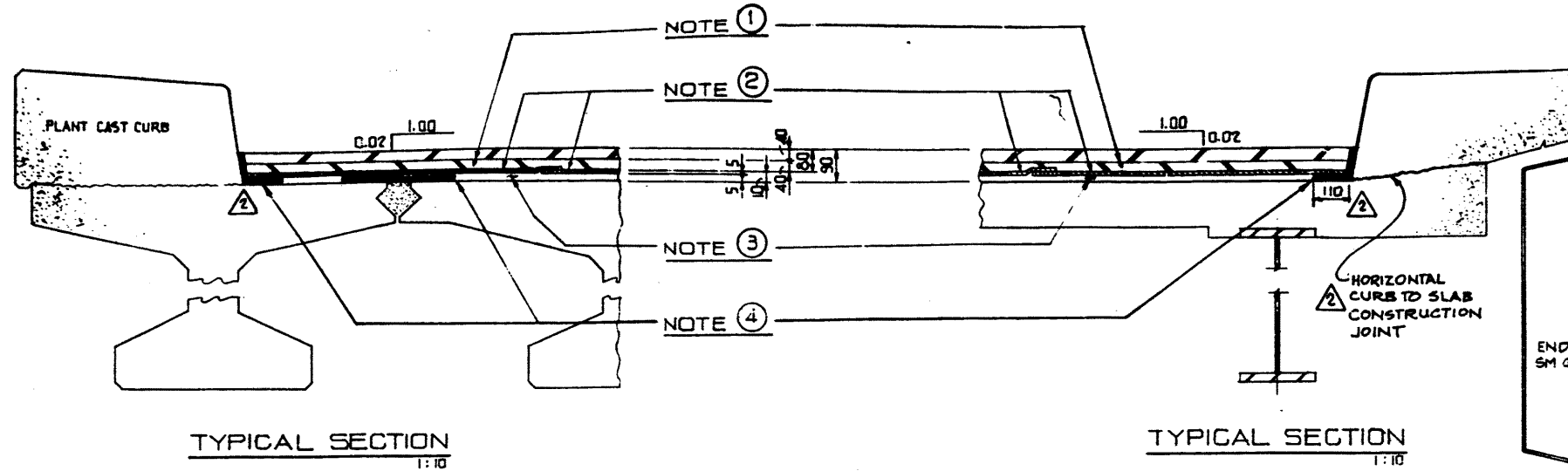


CONCRETE DBT GIRDER BRIDGES

STEEL GIRDER BRIDGES

MODIFIED SM GIRDER BRIDGES

GENERAL NOTES



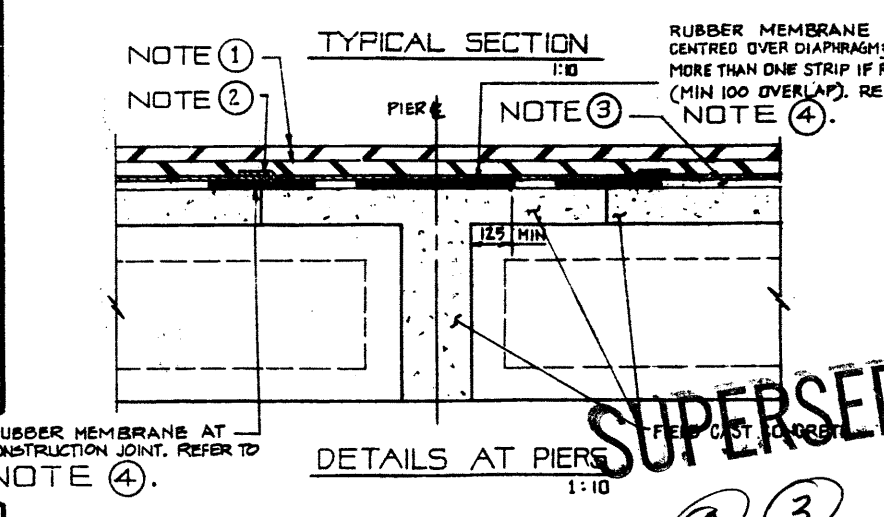
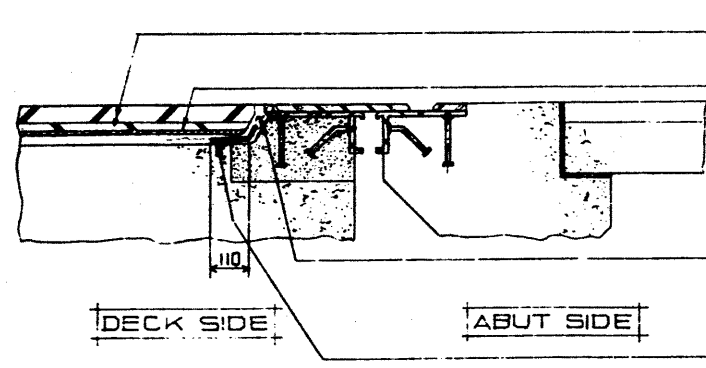
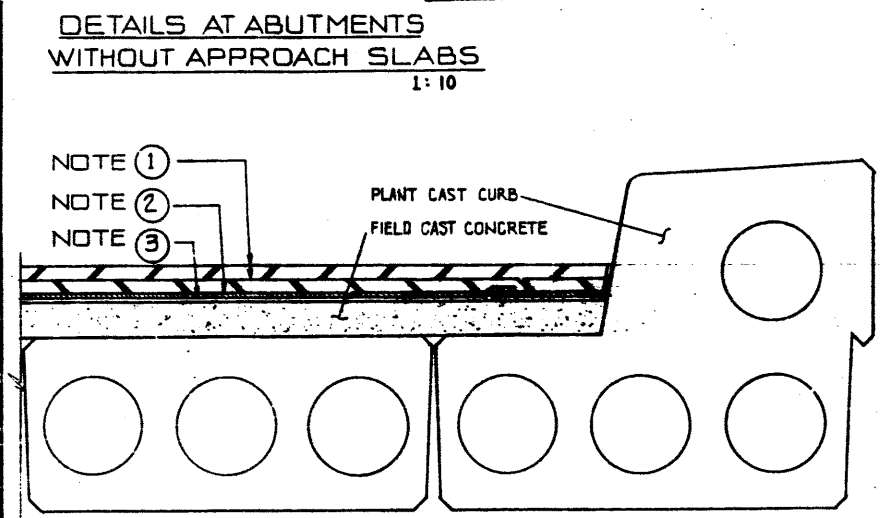
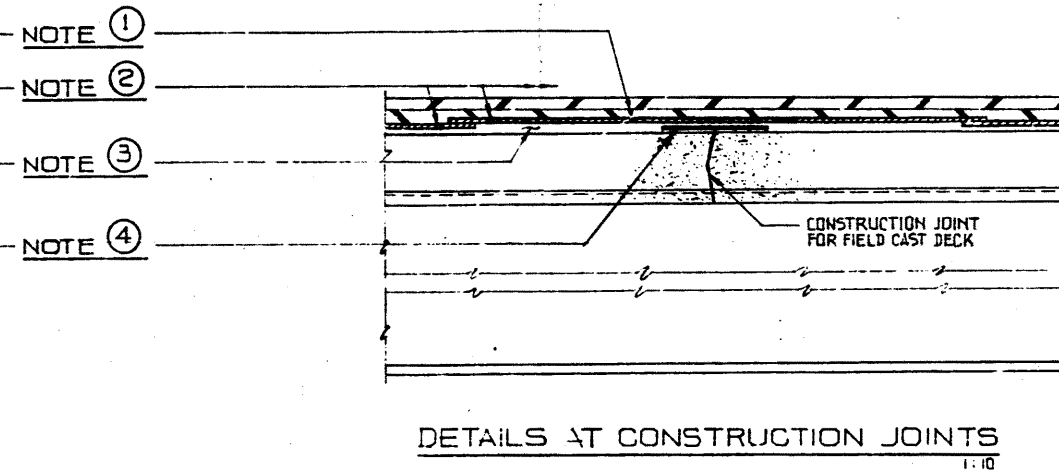
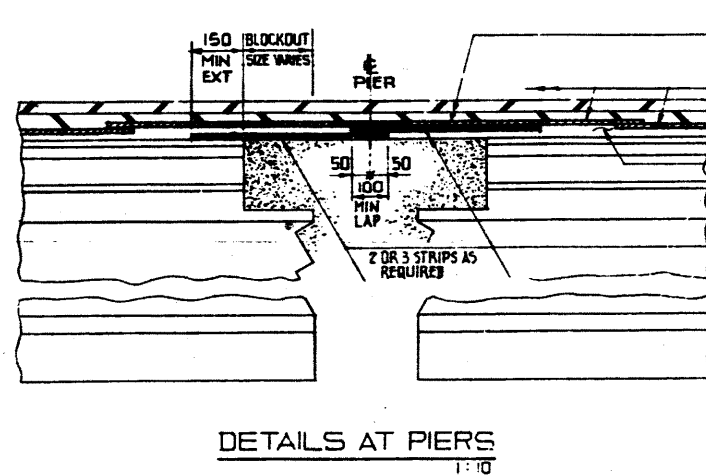
DECK WATERPROOFING SYSTEM SHALL CONFORM TO THE REQUIREMENTS OF THE CURRENT ALBERTA BRIDGE CONSTRUCTION SPECIFICATIONS SECTION 16 "BRIDGE DECK WATERPROOFING".

NOTE ①
80mm TWO-COURSE HOT-MIX ASPHALTIC CONCRETE PAVEMENT.

NOTE ②
5mm (NOM) PROTECTION BOARD. OVERLAP PIECES 12mm MINIMUM TO 25 MAXIMUM. EXTEND TO WITHIN 5mm OF CURB FACE AND OTHER CONCRETE EDGES.

NOTE ③
5mm ASPHALTIC MEMBRANE.

NOTE ④
1.2mm RUBBER MEMBRANE CENTRED OVER CONSTRUCTION JOINTS, CRACKS OR POTENTIAL CRACKS. MINIMUM EXTENSION BEYOND JOINT OR CRACK TO BE 150mm UNLESS SPECIFIED OTHERWISE. VERTICAL EXTENSION AT CURB FACES AND EXPANSION ASSEMBLIES SHALL BE AS SHOWN.



RUBBER MEMBRANE AT DECK HOLES
APPLY RUBBER MEMBRANE (NOTE ④) 450mm SQUARE CENTRED OVER THE FOLLOWING HOLES:
1 - DIAPHRAGM ACCESS HOLES
2 - LIFTING HOLES

DETAILS AT ABUTMENT EXPANSION ASSEMBLIES
SIMILAR TO DETAILS SHOWN FOR "CONCRETE DBT GIRDER BRIDGES"

SUPERSEDED

DESIGNED		DRAWN		CHECKED		DATE		STREAM		LOCATION		NUMBER		FILE		SHEET		DRAWING	
DHQ		MHF		85-06-06														S-1443-85	

REV	DATE	DESCRIPTION	BY
88-05-09		NOTE ④ AS IT APPLIES TO GUTTERS	DHQ
85-11-07		REDRAWN FROM S-1443	DHQ

APPROVED	DATE
<i>[Signature]</i>	July 8 1985

Albarta TRANSPORTATION
BRIDGE ENGINEERING BRANCH

DECK WATERPROOFING SYSTEM WITH 80mm TWO-COURSE HOT-MIX ASPHALTIC CONCRETE PAVEMENT