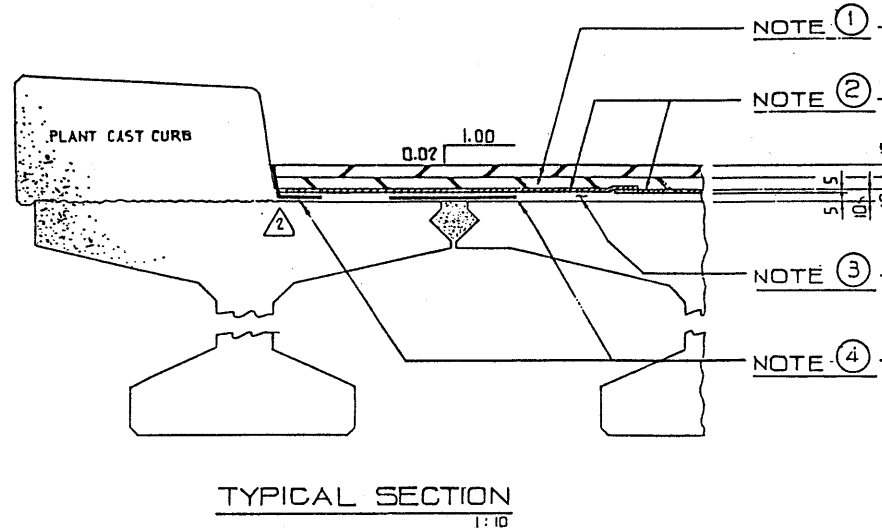
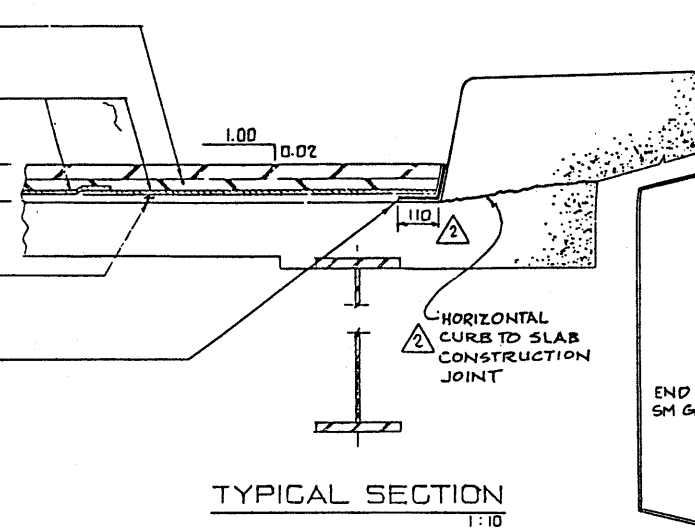


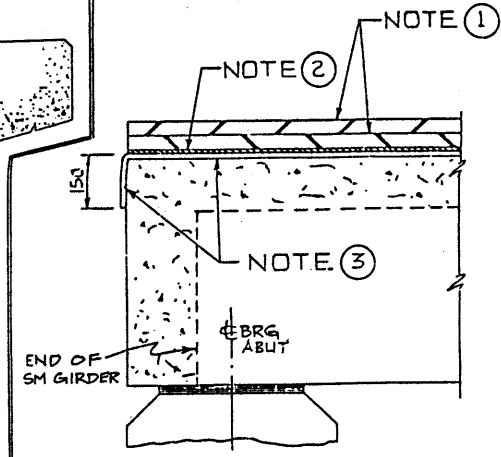
CONCRETE DBT GIRDER BRIDGES



STEEL GIRDER BRIDGES



MODIFIED SM GIRDER BRIDGES



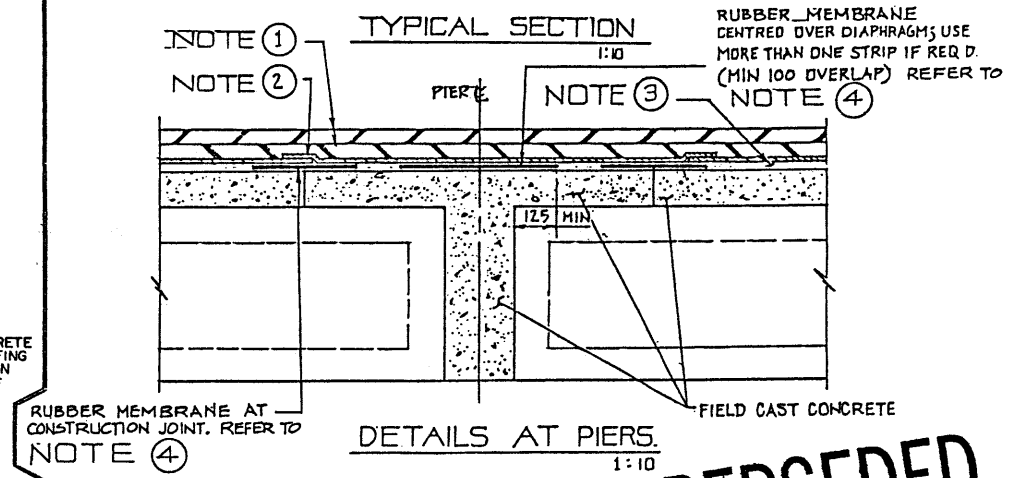
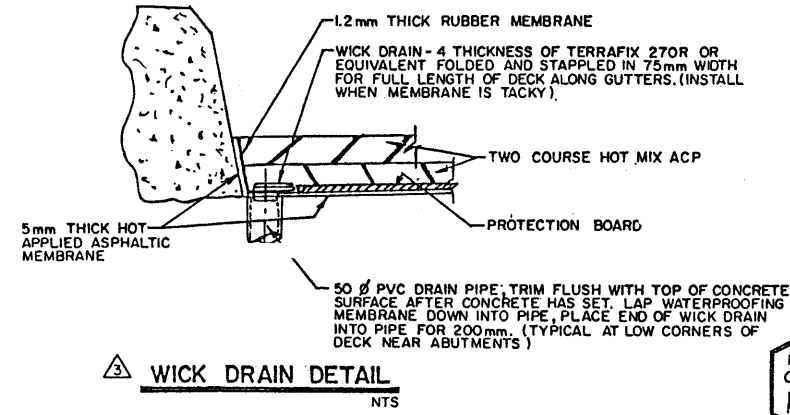
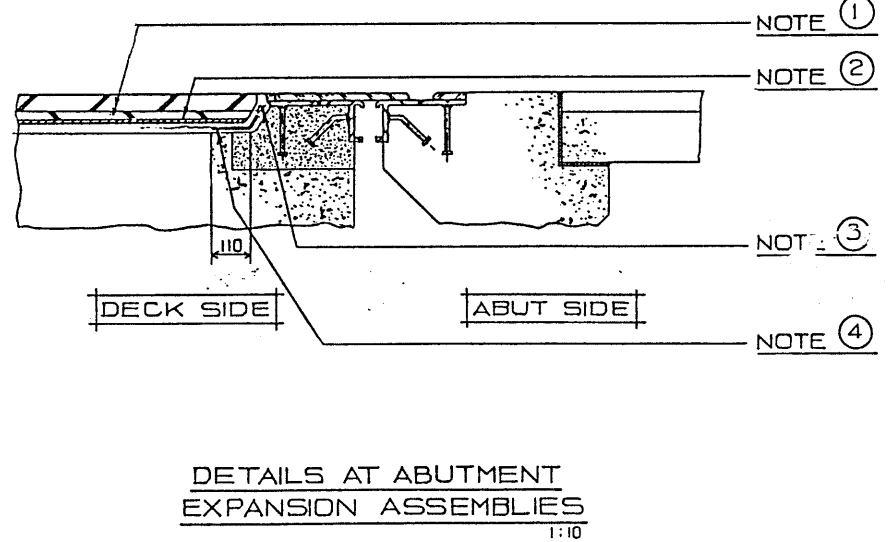
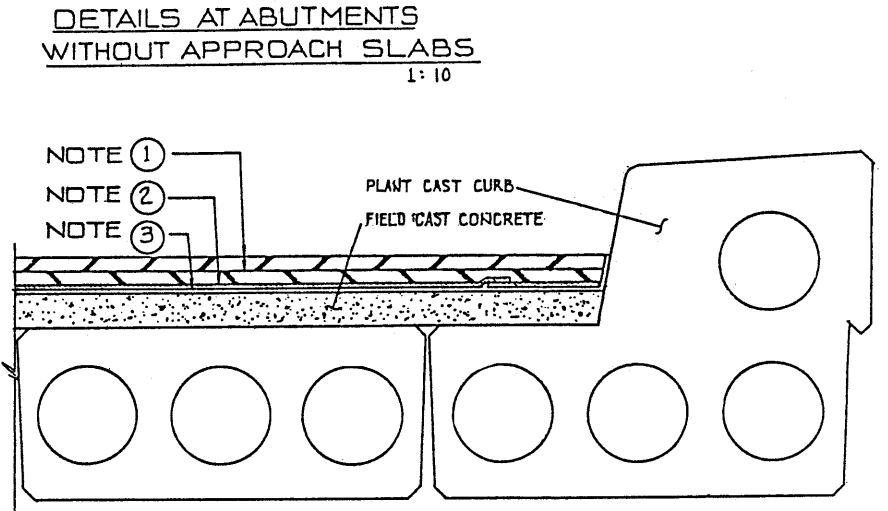
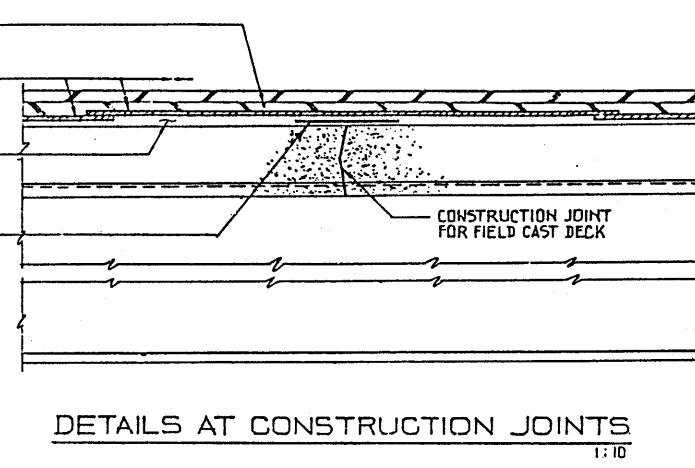
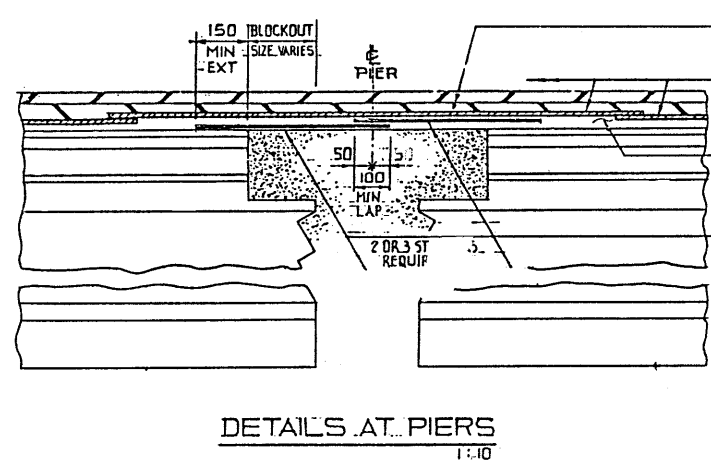
GENERAL NOTES
DECK WATERPROOFING SYSTEM SHALL CONFORM TO THE REQUIREMENTS OF THE CURRENT ALBERTA BRIDGE CONSTRUCTION SPECIFICATIONS SECTION 16 BRIDGE DECK WATERPROOFING

NOTE ①
80mm TWO-COURSE HOT-MIX ASPHALTIC CONCRETE PAVEMENT.

NOTE ②
5mm (NOM) PROTECTION BOARD. OVERLAP PIECES 12mm MINIMUM TO 25mm MAXIMUM. EXTEND TO WITHIN 5mm OF CURB FACE AND OTHER CONCRETE EDGES.

NOTE ③
5mm ASPHALTIC MEMBRANE.

NOTE ④
1.2mm RUBBER MEMBRANE CENTRED OVER CONSTRUCTION JOINTS, CRACKS OR POTENTIAL CRACKS. MINIMUM EXTENSION BEYOND JOINT OR CRACK TO BE 150mm UNLESS SPECIFIED OTHERWISE. VERTICAL EXTENSION AT CURB FACES AND EXPANSION ASSEMBLIES SHALL BE AS SHOWN.



RUBBER MEMBRANE AT DECK HOLES
APPLY RUBBER MEMBRANE (NOTE ④) 450mm SQUARE CENTRED OVER THE FOLLOWING HOLES:
1 - DIAPHRAGM ACCESS HOLES
2 - LIFTING HOLES

DETAILS AT ABUTMENT EXPANSION ASSEMBLIES
SIMILAR TO DETAILS SHOWN FOR CONCRETE DBT GIRDER BRIDGES

REV	DATE	DESCRIPTION	BY
△			
△	98-04-07	WICK DRAIN DETAIL ADDED	WRY
△	88-05-09	NOTE ④ AS IT APPLIES TO GUTTERS	DHQ
△	85-11-07	REDRAWN FROM S-1443	DHQ

APPROVED
[Signature]
EXECUTIVE DIRECTOR
BRIDGE ENGINEERING
DATE July 8 1985

SUPERSEDED ④ ④
Alberta TRANSPORTATION
BRIDGE ENGINEERING BRANCH
DECK WATERPROOFING SYSTEM WITH 80mm TWO-COURSE HOT-MIX ASPHALTIC CONCRETE PAVEMENT

DESIGNED	DRAWN	DATE	CHECKED	DATE	STREAM	LOCATION	HIGHWAY	FILE	SHEET	DRAWING
DHQ	MMF	85-06-06							OF	S-1443-85

NOTE: THIS DRAWING HAS BEEN REDUCED TO 22"X34" DO NOT SCALE