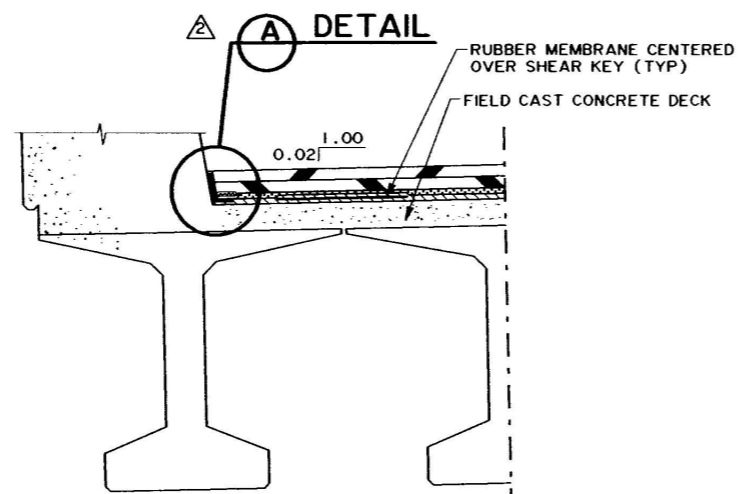
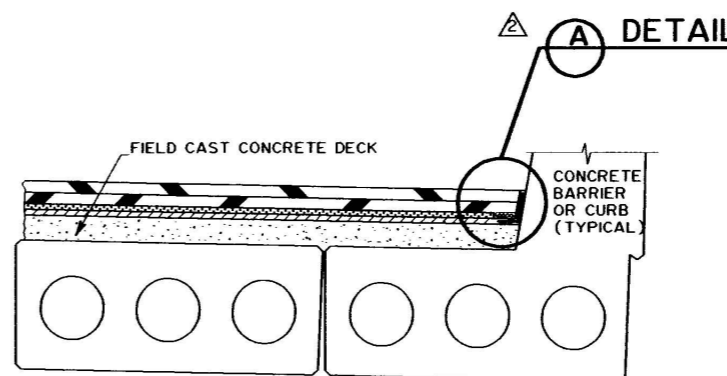


DECK BULB TEE GIRDER BRIDGES



BULB TEE GIRDER BRIDGES WITH FIELD CAST CONCRETE DECK



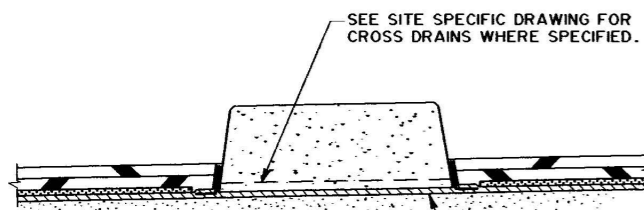
SCC COMPOSITE BRIDGES

GENERAL NOTES

DECK WATERPROOFING SYSTEM SHALL CONFORM TO THE REQUIREMENTS OF SECTION 16, BRIDGE DECK WATERPROOFING OF THE SPECIFICATIONS FOR BRIDGE CONSTRUCTION.

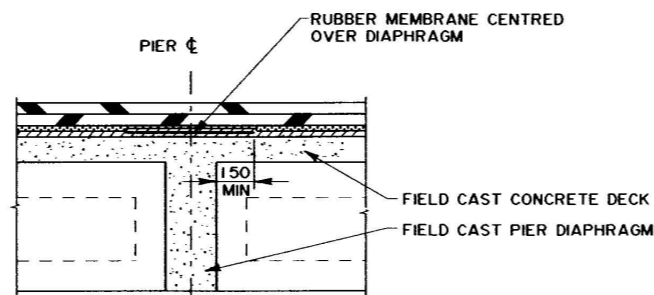
LEGEND

- 80mm TWO-COURSE HOT-MIX ASPHALTIC CONCRETE PAVEMENT.
- 3.2mm PROTECTION BOARD, OVERLAP PIECES 12mm MINIMUM TO 25mm MAXIMUM, EXTEND TO WITHIN 5mm OF WICK DRAIN AND CONCRETE PAVING LIP EDGES.
- 5mm ASPHALT MEMBRANE.
- 1.2 mm RUBBER MEMBRANE CENTRED OVER CONSTRUCTION JOINTS & CRACKS OR POTENTIAL CRACKS. MINIMUM EXTENSION BEYOND JOINT OR CRACK TO BE 150mm UNLESS SPECIFIED OTHERWISE. VERTICAL EXTENSION AT CURB FACES AND EXPANSION ASSEMBLIES SHALL BE AS SHOWN. MINIMUM 100mm OVERLAP WHEN MULTIPLE STRIPS ARE USED. APPLY RUBBER MEMBRANE 450mm x 450mm CENTRED OVER THE FOLLOWING HOLES:
1) DIAPHRAGM ACCESS HOLE TO SCC CURB GIRDERS
2) HIFT HOOK POCKETS
- WICK DRAIN - NILEX MD/7407 OR APPROVED EQUIVALENT FOR FULL LENGTH OF DECK ALONG GUTTERS. (INSTALL WHEN MEMBRANE IS TACKY)

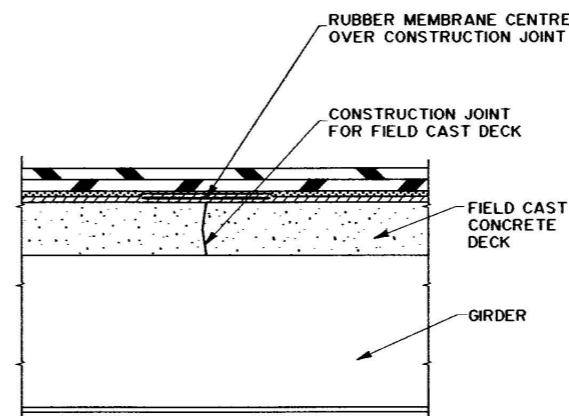


DECK WATERPROOFING TO BE APPLIED IN TWO STAGES. WATERPROOFING UNDER CONCRETE MEDIAN TO BE INSTALLED WITHOUT PROTECTION BOARD. MEDIAN CONCRETE SHALL BE CURED FOR 14 DAYS AND THE CURB SURFACES SHALL BE COMPLETELY DRY PRIOR TO PLACING THE ROADWAY PORTION OF WATERPROOFING.

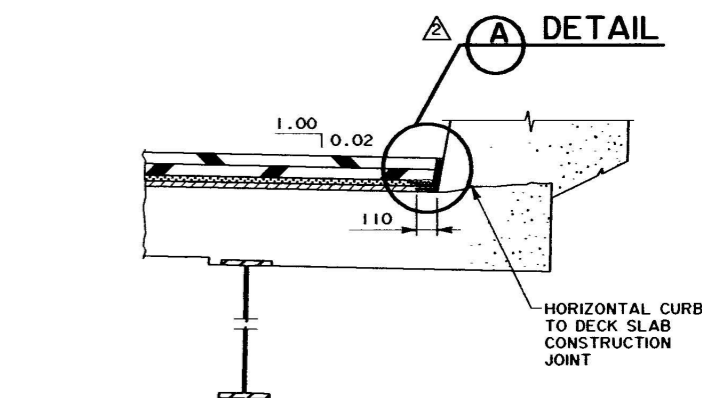
MEDIAN ON DECK



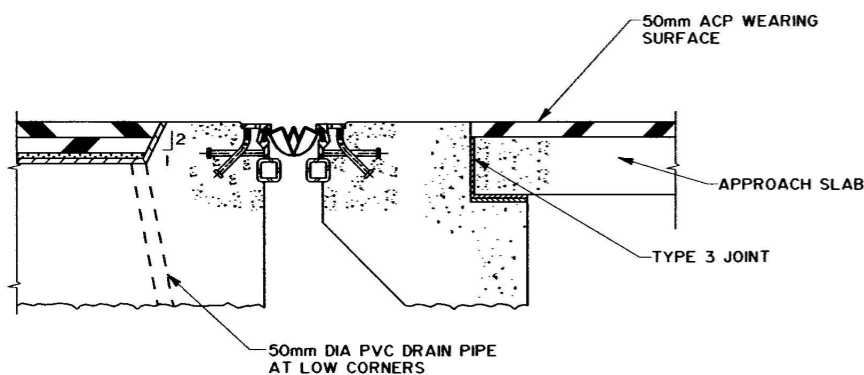
CAST-IN-PLACE PIER DIAPHRAGMS PRECAST GIRDERS



CAST-IN-PLACE DECK CONSTRUCTION JOINTS



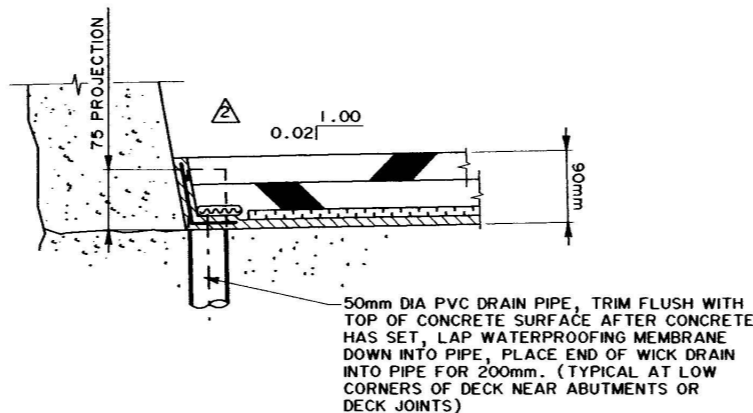
STEEL OR CONCRETE GIRDER BRIDGES WITH FIELD CAST DECK



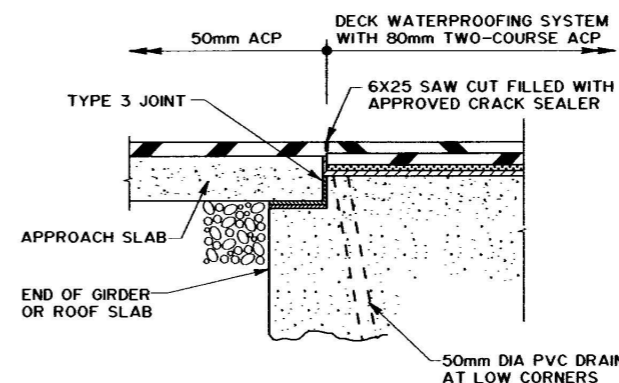
DECK SIDE

ABUT SIDE

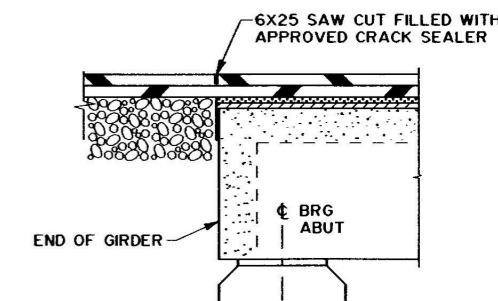
DETAILS AT DECK JOINTS



EDGE DETAIL AND PVC DRAIN PIPE



DETAILS AT BRIDGE ENDS WITH APPROACH SLABS



DETAILS AT BRIDGE ENDS WITHOUT APPROACH SLABS

**SUPERSEDED BY S-1443-98
REVISION 3, 2007-02-14**

DESIGNED		DRAWN		DATE		CHECKED		DATE		STREAM		LOCATION		HIGHWAY		FILE		SHEET		DRAWING	
RY		WJW		98-12-10		CTC												1 of 1		S-1443-98	

ORIGINAL DRAWING APPROVED BY ALLAN KWAN EXECUTIVE DIRECTOR TECHNICAL STANDARDS BRANCH JANUARY 12, 1999		Albarta TRANSPORTATION AND UTILITIES TECHNICAL STANDARDS BRANCH DECK WATERPROOFING SYSTEM WITH 80mm TWO-COURSE HOT-MIX ASPHALT CONCRETE PAVEMENT	
--	--	--	--