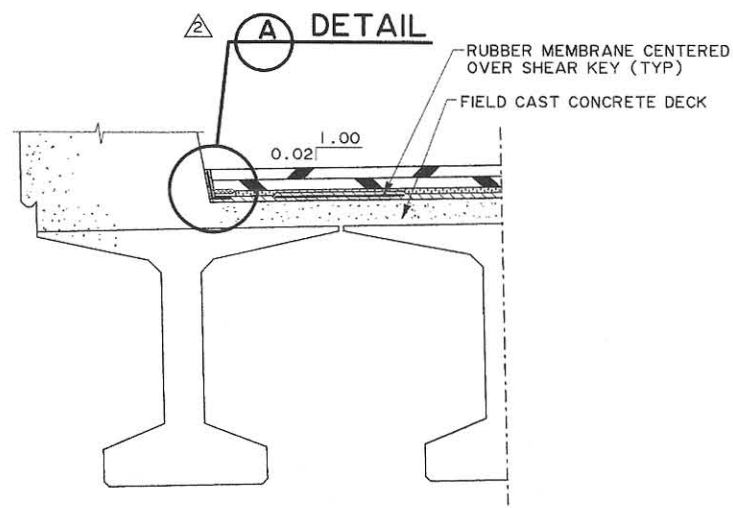
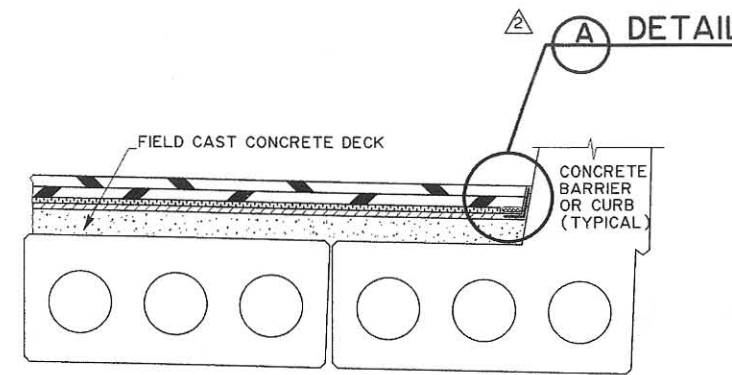


DECK BULB TEE GIRDER BRIDGES



BULB TEE GIRDER BRIDGES WITH FIELD CAST CONCRETE DECK



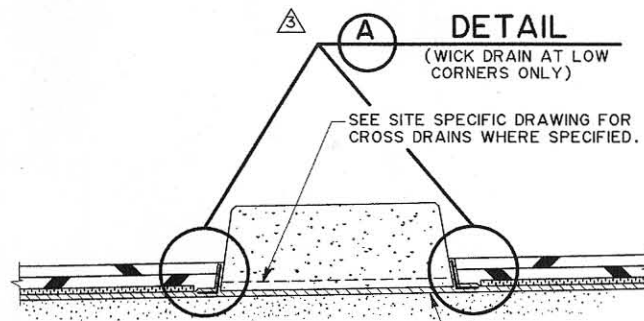
SCC COMPOSITE BRIDGES

GENERAL NOTES

DECK WATERPROOFING SYSTEM SHALL CONFORM TO THE REQUIREMENTS OF SECTION 16, BRIDGE DECK WATERPROOFING OF THE SPECIFICATIONS FOR BRIDGE CONSTRUCTION.

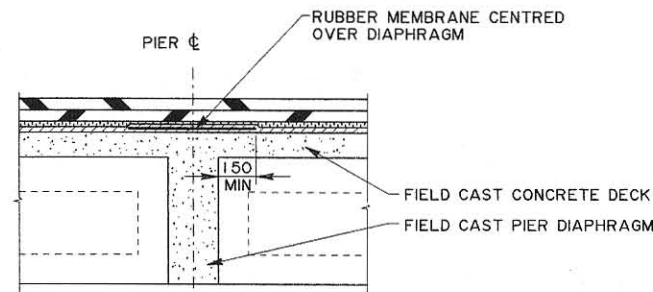
LEGEND

- 80mm TWO-COURSE HOT-MIX ASPHALTIC CONCRETE PAVEMENT.
- 3.2mm PROTECTION BOARD, OVERLAP PIECES 12mm MINIMUM TO 25mm MAXIMUM, EXTEND TO WITHIN 5mm OF WICK DRAIN AND CONCRETE PAVING LIP EDGES.
- 5mm ASPHALT MEMBRANE.
- 1.2 mm RUBBER MEMBRANE CENTRED OVER CONSTRUCTION JOINTS & CRACKS OR POTENTIAL CRACKS. MINIMUM EXTENSION BEYOND JOINT OR CRACK TO BE 150mm UNLESS SPECIFIED OTHERWISE, VERTICAL EXTENSION AT CURB FACES AND EXPANSION ASSEMBLIES SHALL BE AS SHOWN. MINIMUM 100mm OVERLAP WHEN MULTIPLE STRIPS ARE USED. APPLY RUBBER MEMBRANE 450mm x 450mm CENTRED OVER THE FOLLOWING HOLES:
 - 1) DIAPHRAGM ACCESS HOLE TO SCC CURB GIRDERS
 - 2) HIFT HOOK POCKETS
- WICK DRAIN - NILEX MD/7407 OR APPROVED EQUIVALENT FOR FULL LENGTH OF DECK ALONG GUTTERS. (INSTALL WHEN MEMBRANE IS TACKY)

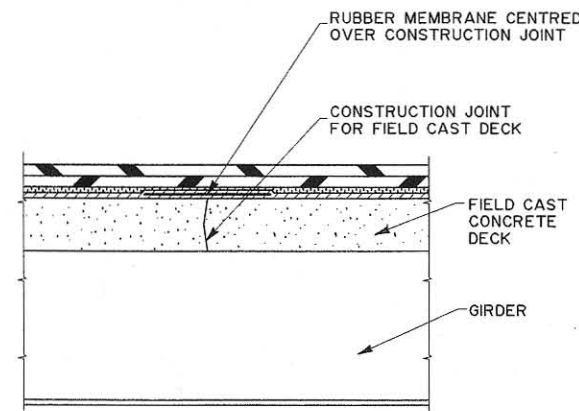


MEDIAN ON DECK

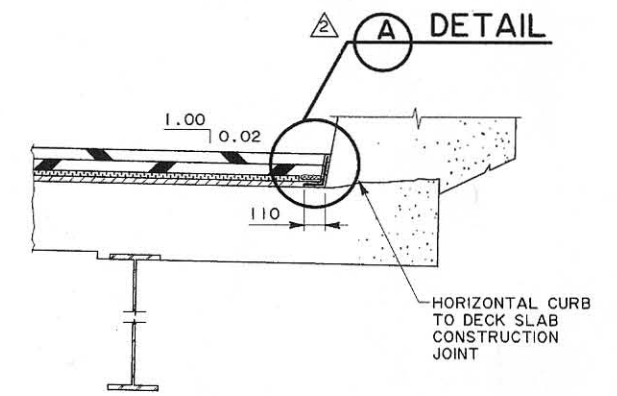
DECK WATERPROOFING TO BE APPLIED IN TWO STAGES. WATERPROOFING UNDER CONCRETE MEDIAN TO BE INSTALLED WITHOUT PROTECTION BOARD. MEDIAN CONCRETE SHALL BE CURED FOR 14 DAYS AND THE CURB SURFACES SHALL BE COMPLETELY DRY PRIOR TO PLACING THE ROADWAY PORTION OF WATERPROOFING.



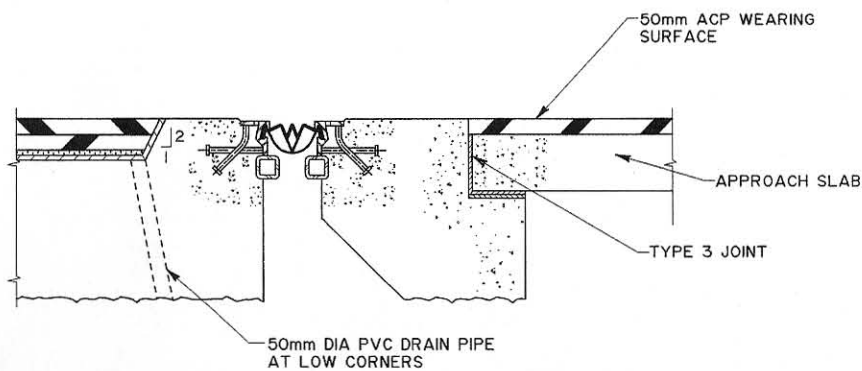
CAST-IN-PLACE PIER DIAPHRAGMS PRECAST GIRDERS



CAST-IN-PLACE DECK CONSTRUCTION JOINTS



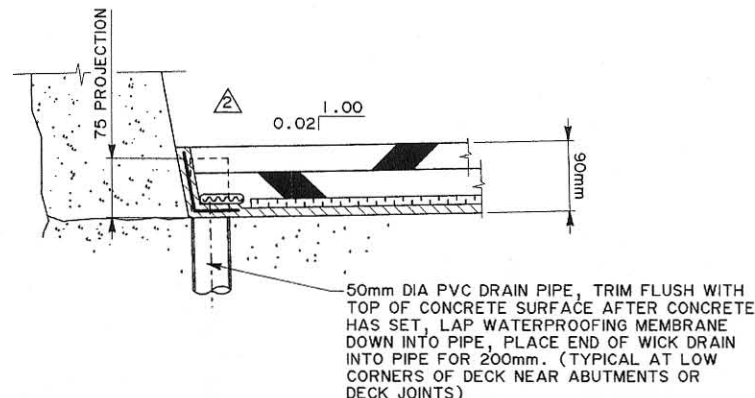
STEEL OR CONCRETE GIRDER BRIDGES WITH FIELD CAST DECK



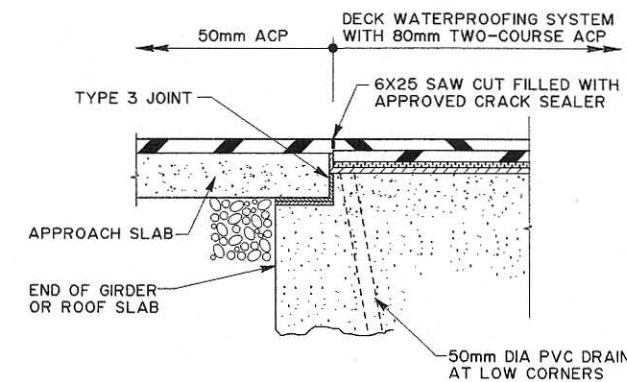
DECK SIDE

ABUT SIDE

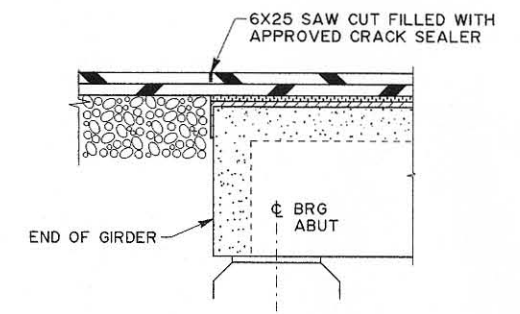
DETAILS AT DECK JOINTS



EDGE DETAIL AND PVC DRAIN PIPE



DETAILS AT BRIDGE ENDS WITH APPROACH SLABS



DETAILS AT BRIDGE ENDS WITHOUT APPROACH SLABS

SUPERSEDED BY S-1443-98, REVISION 4, 2007-09-12

REV	DATE	REVISIONS	BY
2007-02-14		WICK DRAIN NOTE ADDED	RY
2003-02-26		GENERAL NOTES & WICK DRAIN	RY
98-10-15		REDRAWN FROM S-1443-85 REV.3	RY

ORIGINAL DRAWING APPROVED BY
 ALLAN KWAN
 EXECUTIVE DIRECTOR
 TECHNICAL STANDARDS BRANCH
 JANUARY 12, 1999

Alberta TRANSPORTATION AND UTILITIES
 TECHNICAL STANDARDS BRANCH

DECK WATERPROOFING SYSTEM WITH 80mm TWO-COURSE HOT-MIX ASPHALT CONCRETE PAVEMENT

DESIGNED	DRAWN	DATE	CHECKED	DATE	STREAM	LOCATION	HIGHWAY	FILE	SHEET	DRAWING
RY	WJW	98-12-10	CTC						1 of 1	S-1443-98