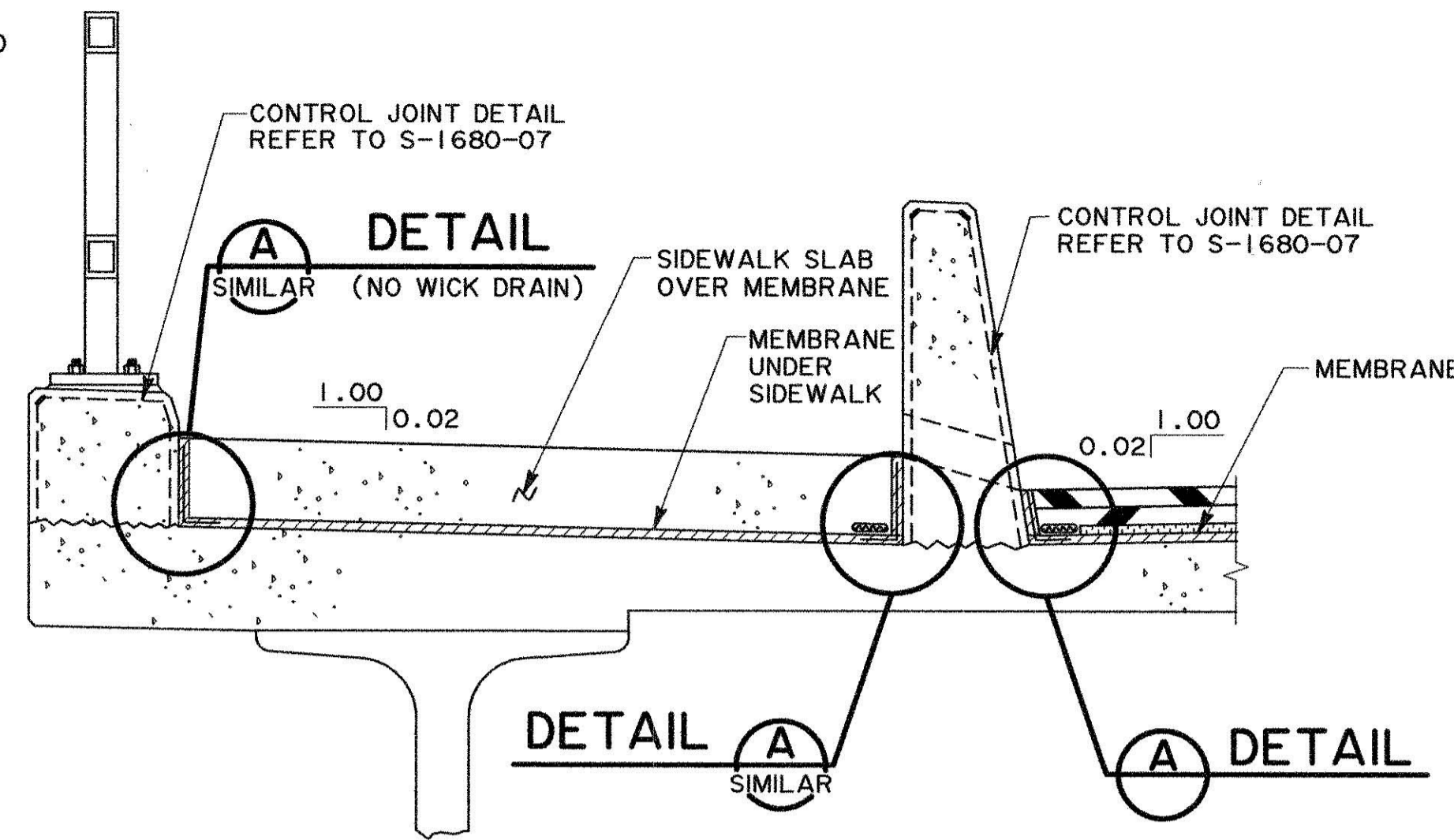
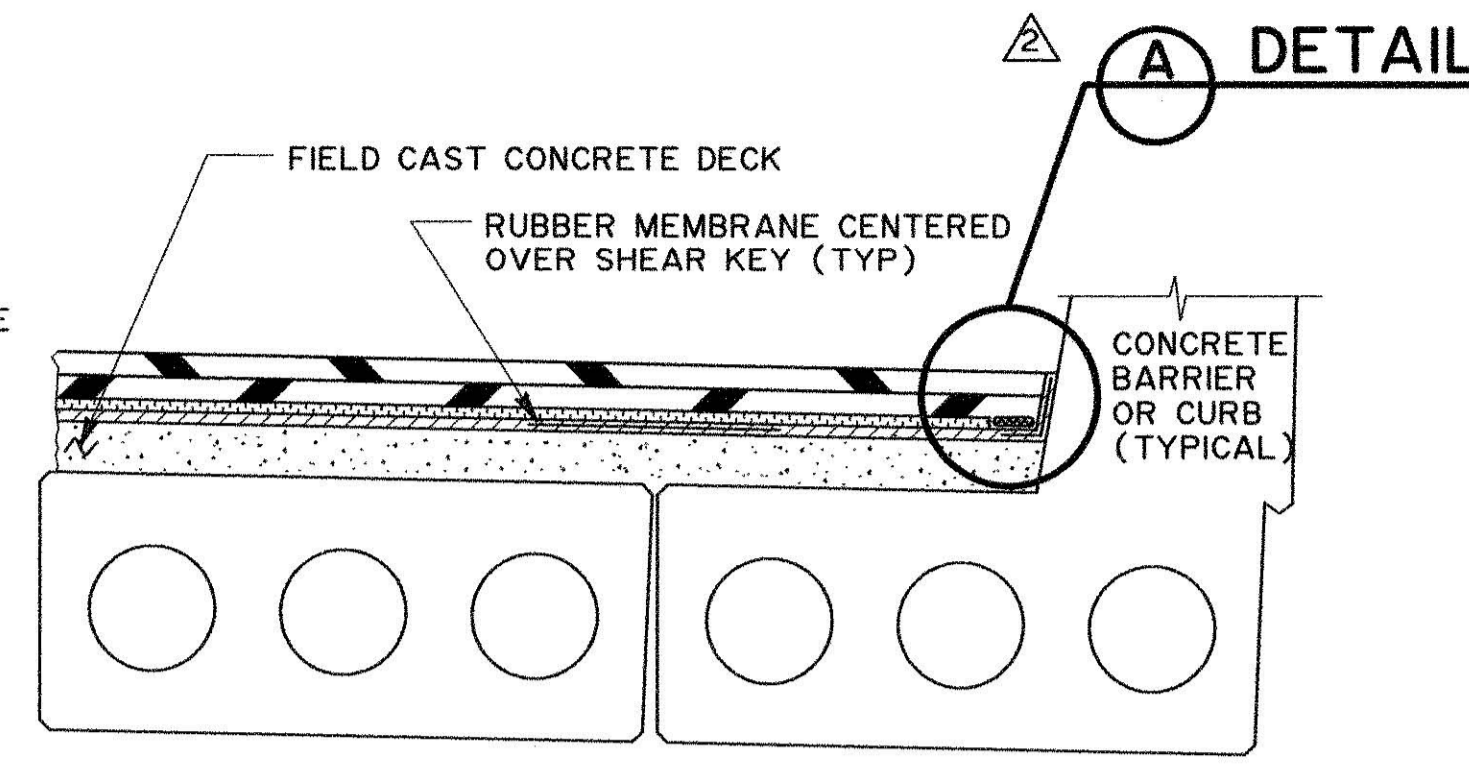


DECK BULB TEE GIRDER BRIDGES



DETAIL A SIDEWALK SECTION



DETAIL A SCC/SLC COMPOSITE BRIDGES

GENERAL NOTES

DECK WATERPROOFING SYSTEM SHALL CONFORM TO THE REQUIREMENTS OF SECTION 16, BRIDGE DECK WATERPROOFING OF THE SPECIFICATIONS FOR BRIDGE CONSTRUCTION.

LEGEND

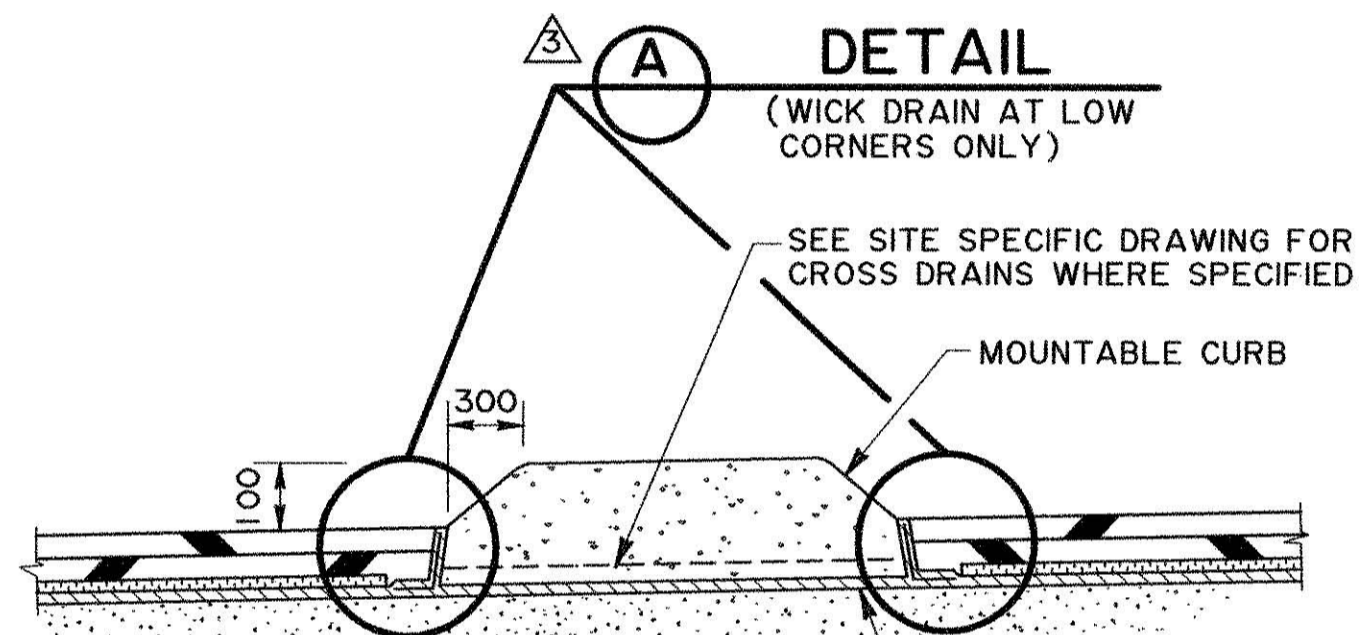
80mm TWO-COURSE HOT-MIX ASPHALTIC CONCRETE PAVEMENT.

3.2mm PROTECTION BOARD, OVERLAP PIECES 12mm MINIMUM TO 25mm MAXIMUM, EXTEND TO WITHIN 5mm OF WICK DRAIN AND CONCRETE PAVING LIP EDGES.

5mm ASPHALT MEMBRANE.

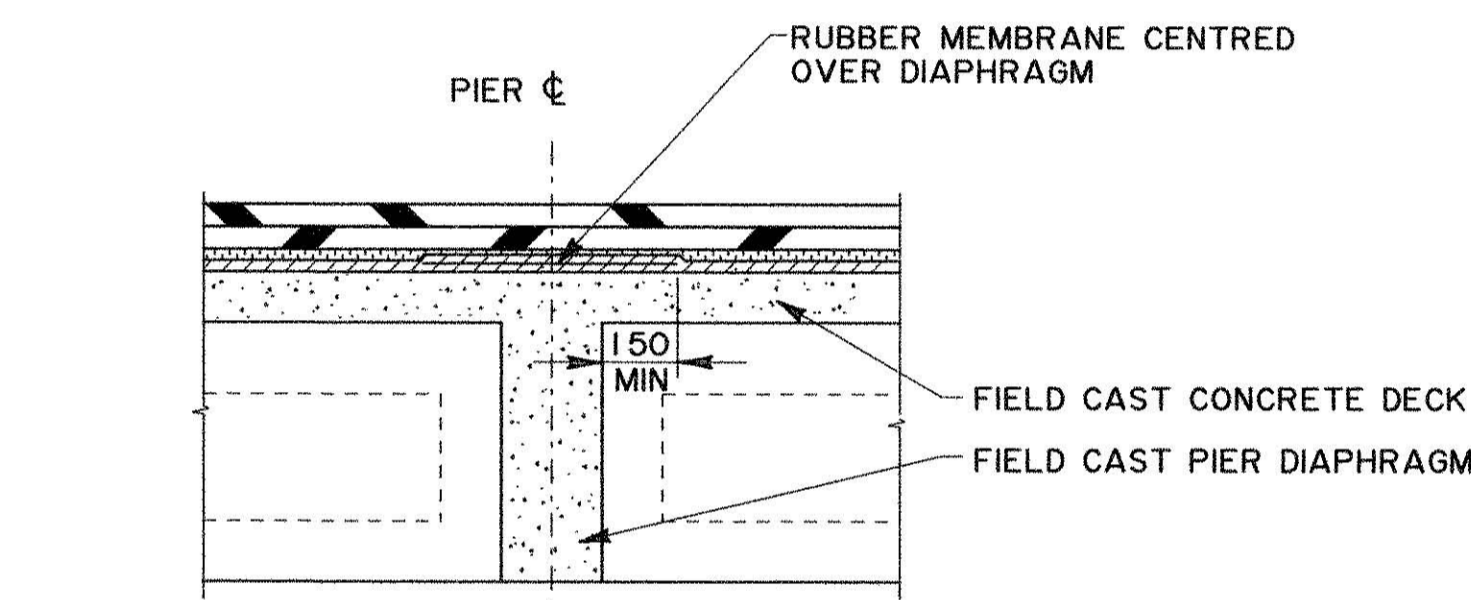
1.2 mm RUBBER MEMBRANE CENTRED OVER CONSTRUCTION JOINTS & CRACKS OR POTENTIAL CRACKS. MINIMUM EXTENSION BEYOND JOINT OR CRACK TO BE 150mm UNLESS SPECIFIED OTHERWISE, VERTICAL EXTENSION AT CURB FACES AND EXPANSION ASSEMBLIES SHALL BE AS SHOWN. MINIMUM 100mm OVERLAP WHEN MULTIPLE STRIPS ARE USED. APPLY RUBBER MEMBRANE 450mm x 450mm CENTRED OVER THE FOLLOWING HOLES:
1) DIAPHRAGM ACCESS HOLE TO SCC CURB GIRDERS
2) HIFT HOOK POCKETS

WICK DRAIN - NILEX MD/7407 OR APPROVED EQUIVALENT FOR FULL LENGTH OF DECK ALONG GUTTERS. (INSTALL WHEN MEMBRANE IS TACKY)

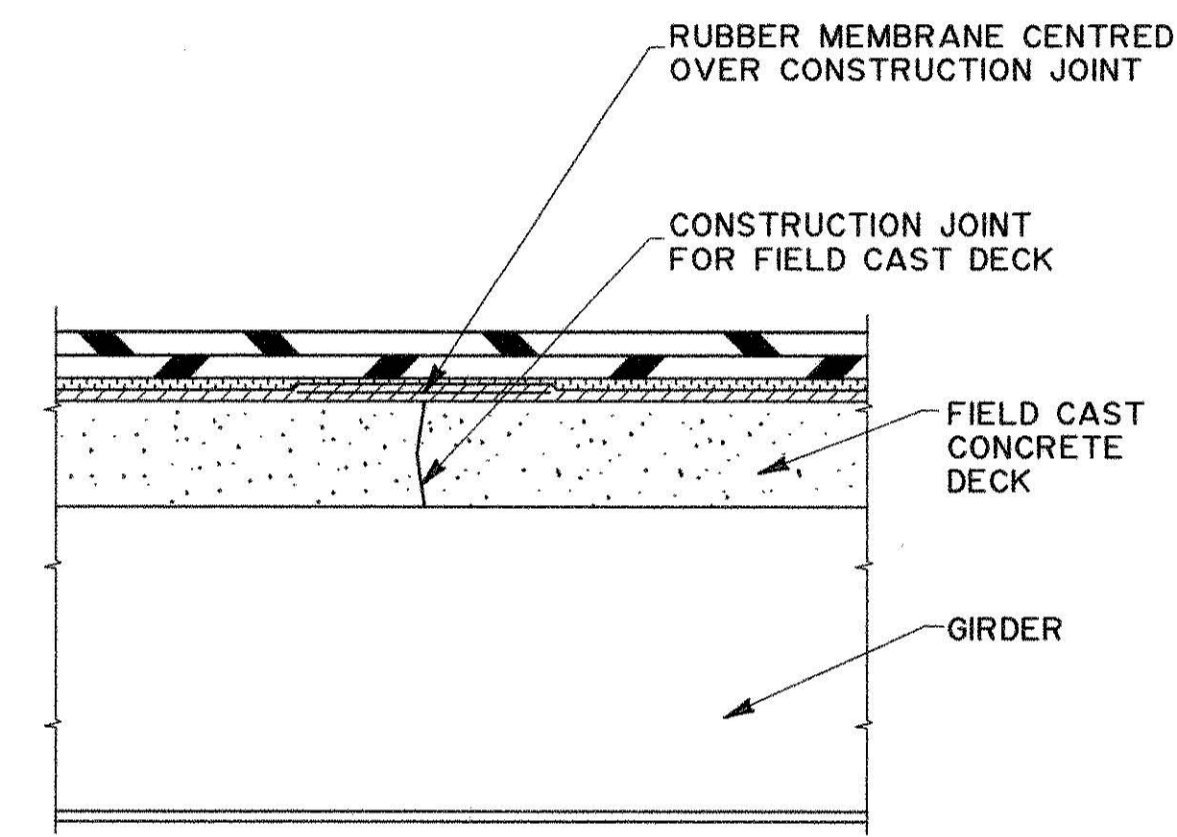


DETAIL A MEDIAN ON DECK

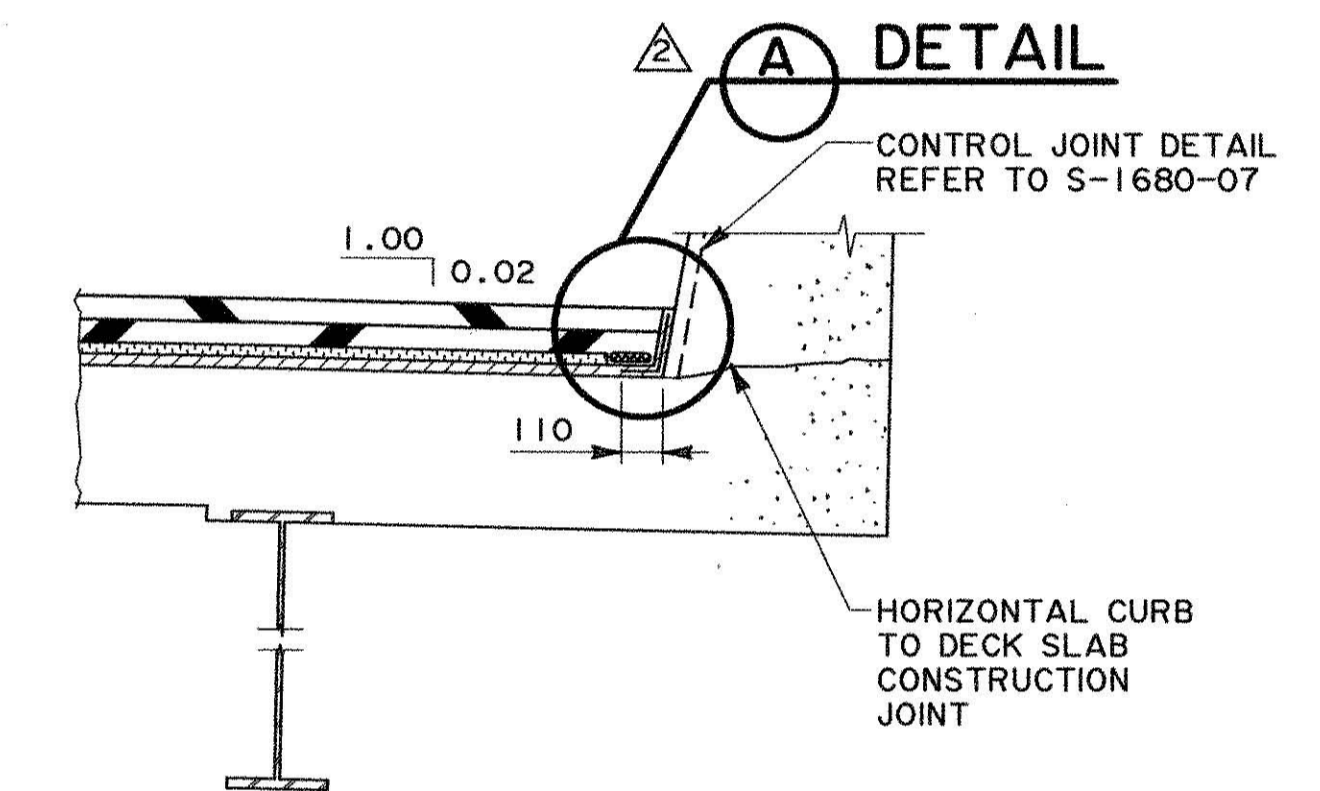
DECK WATERPROOFING TO BE APPLIED IN TWO STAGES. WATERPROOFING UNDER CONCRETE MEDIAN TO BE INSTALLED WITHOUT PROTECTION BOARD. MEDIAN CONCRETE SHALL BE CURED FOR 14 DAYS AND THE CURB SURFACES SHALL BE COMPLETELY DRY PRIOR TO PLACING THE ROADWAY PORTION OF WATERPROOFING.



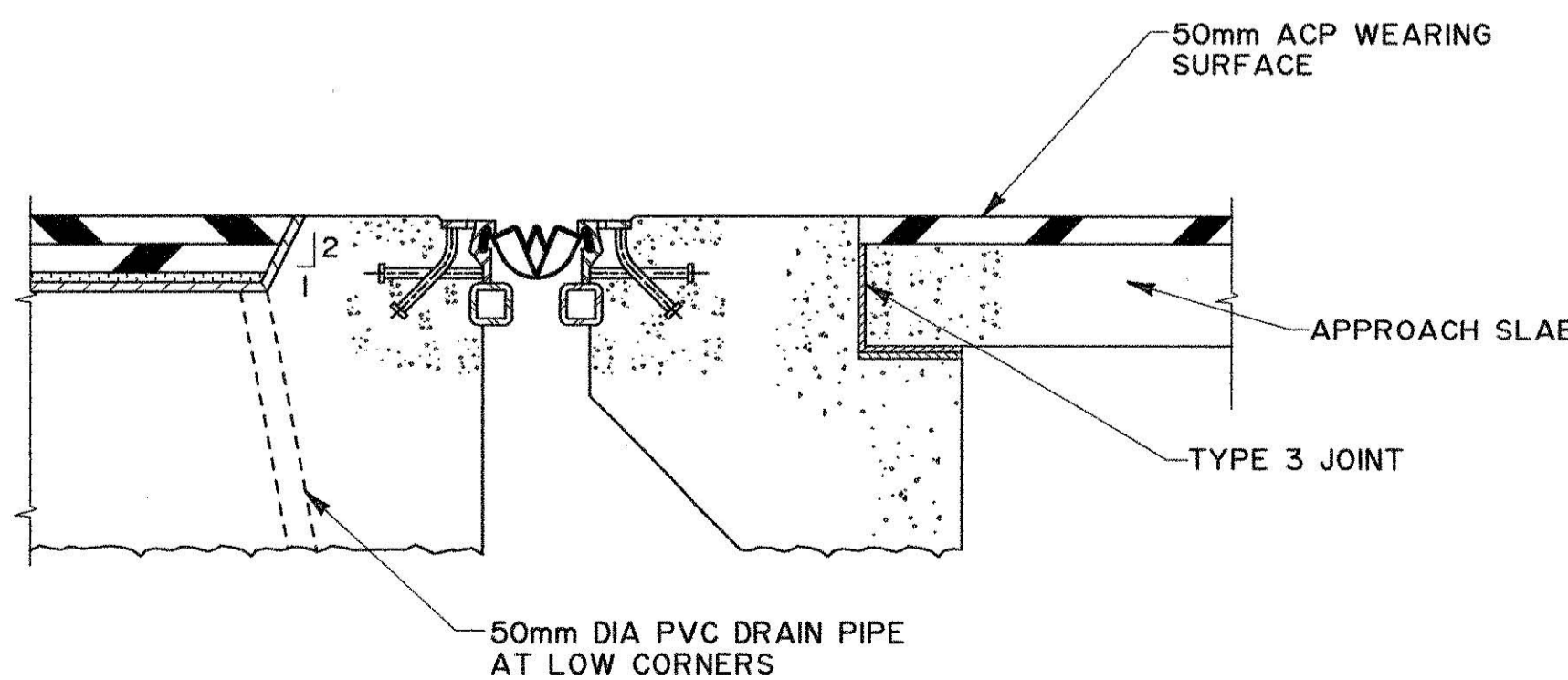
CAST-IN-PLACE PIER DIAPHRAGMS PRECAST GIRDERS



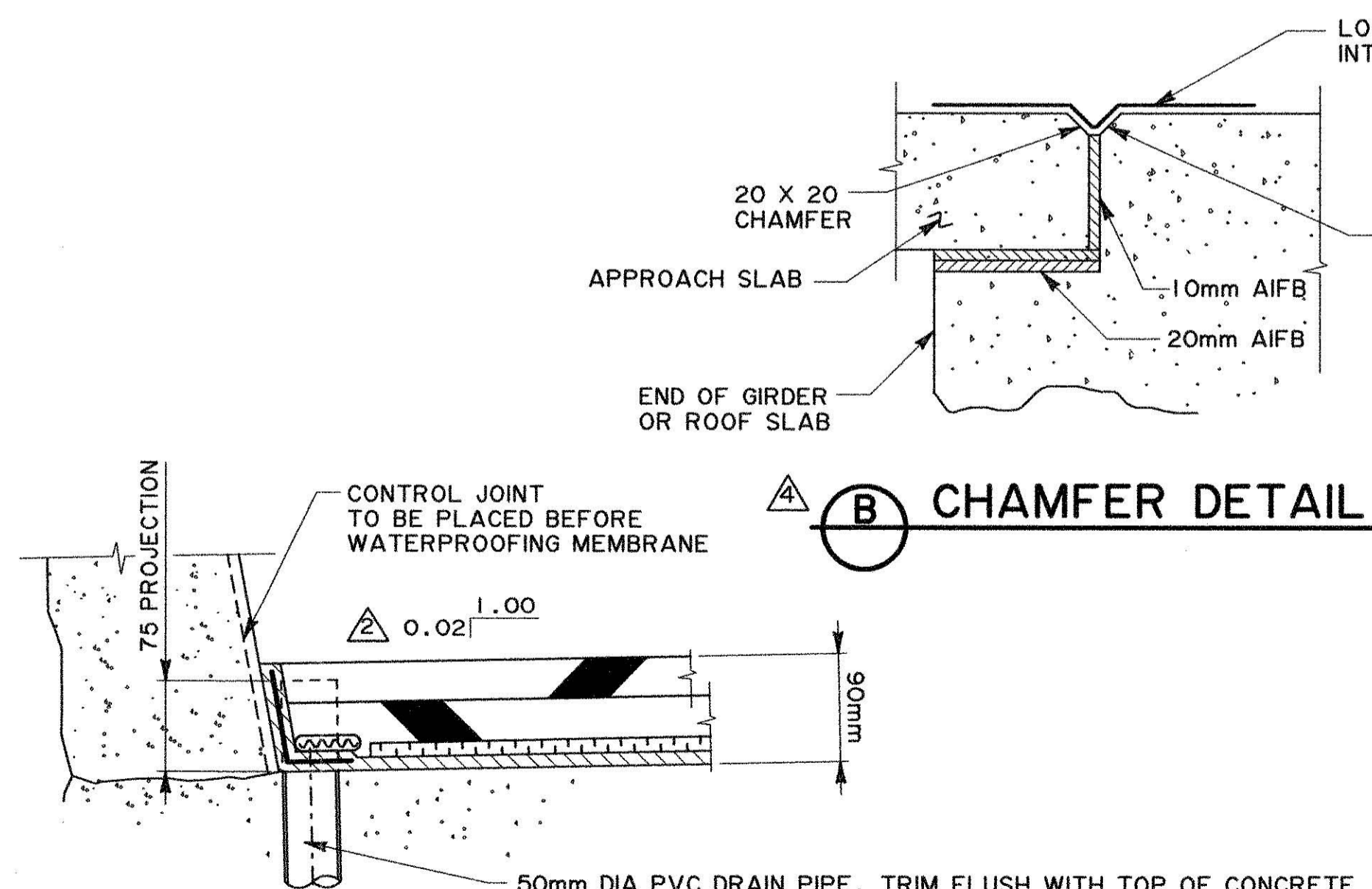
CAST-IN-PLACE DECK CONSTRUCTION JOINTS



DETAIL A STEEL OR NU GIRDER BRIDGES WITH FIELD CAST DECK

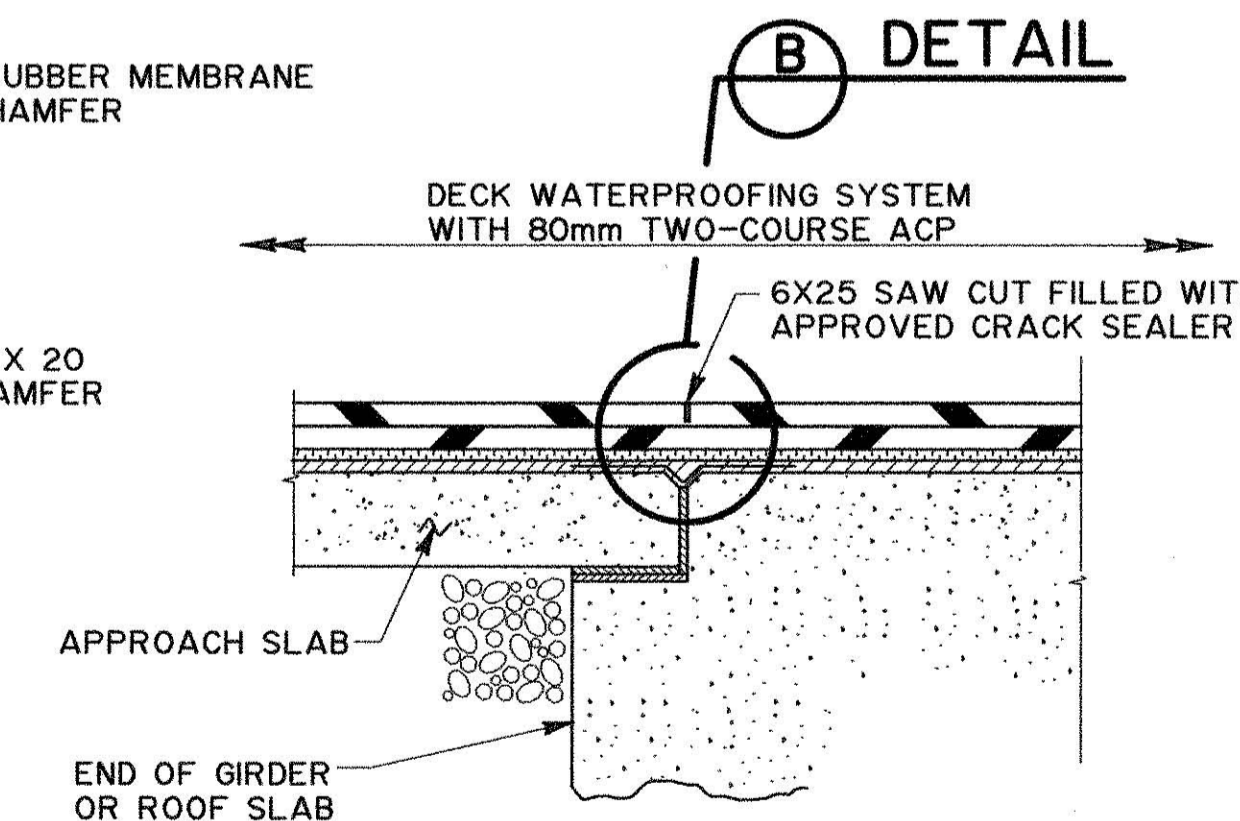


DECK SIDE ABUT SIDE DETAILS AT DECK JOINTS

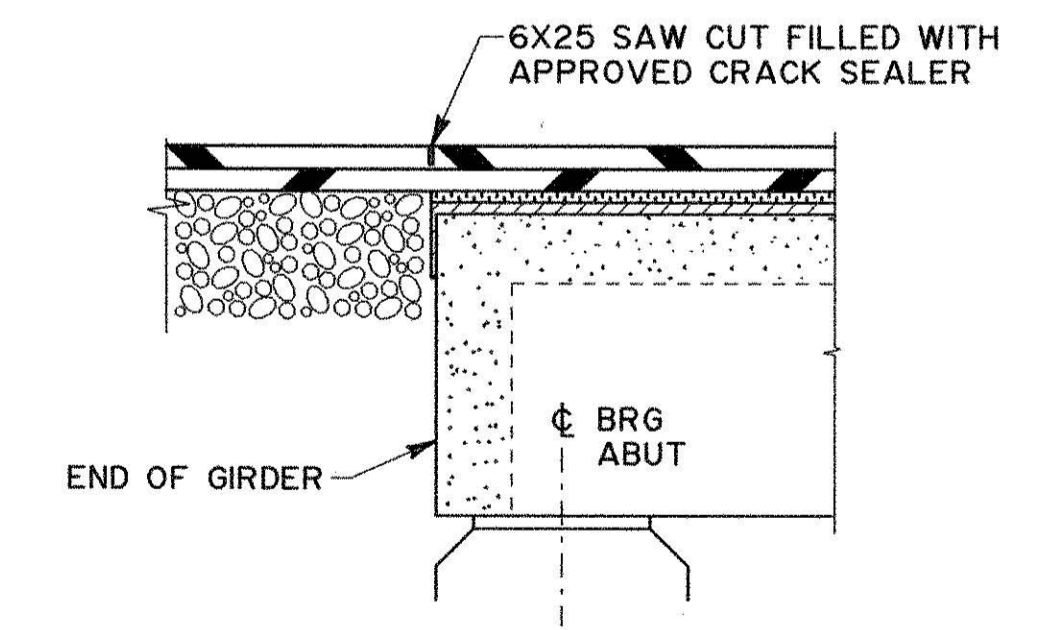


DETAIL B CHAMFER DETAIL

50mm DIA PVC DRAIN PIPE, TRIM FLUSH WITH TOP OF CONCRETE SURFACE AFTER CONCRETE HAS SET, CUT OPEN 300mm OF WICK DRAIN FILTER WRAP AT ENDS AND TRIM THE PLASTIC INSERT PORTION FLUSH WITH THE INSIDE WALL OF THE DRAIN PIPE. FOLD AND INSERT THE REMAINING FILTER WRAP INTO PVC PIPE (TYPICAL AT LOW CORNERS OF THE DECK NEAR ABUTMENTS OR DECK JOINTS)



DETAIL B DETAILS AT BRIDGE ENDS WITH INTEGRAL ABUTMENTS



DETAILS AT BRIDGE ENDS WITHOUT APPROACH SLABS

SUPERSEDED BY S-1443-98 REVISION 5, 2008-01-17

REV	DATE	REVISIONS	BY
2007-09-12		NEW SIDEWALK SECT, MOD BRIDGE ENDS & MEDIAN	CM
2007-02-14		WICK DRAIN NOTE ADDED	RY
2003-02-26		GENERAL NOTES & WICK DRAIN	RY
98-10-15		REDRAWN FROM S-1443-85 REV.3	RY

ORIGINAL DRAWING APPROVED BY
ALLAN KWAN
EXECUTIVE DIRECTOR
TECHNICAL STANDARDS BRANCH
JANUARY 12, 1999

Alberta TRANSPORTATION AND UTILITIES
TECHNICAL STANDARDS BRANCH

DECK WATERPROOFING SYSTEM WITH 80mm TWO-COURSE HOT-MIX ASPHALT CONCRETE PAVEMENT

DESIGNED	DRAWN	DATE	CHECKED	DATE	STREAM	LOCATION	HIGHWAY	FILE	SHEET	DRAWING
RY	WJW	98-12-10	CTC						1 OF 1	S-1443-98