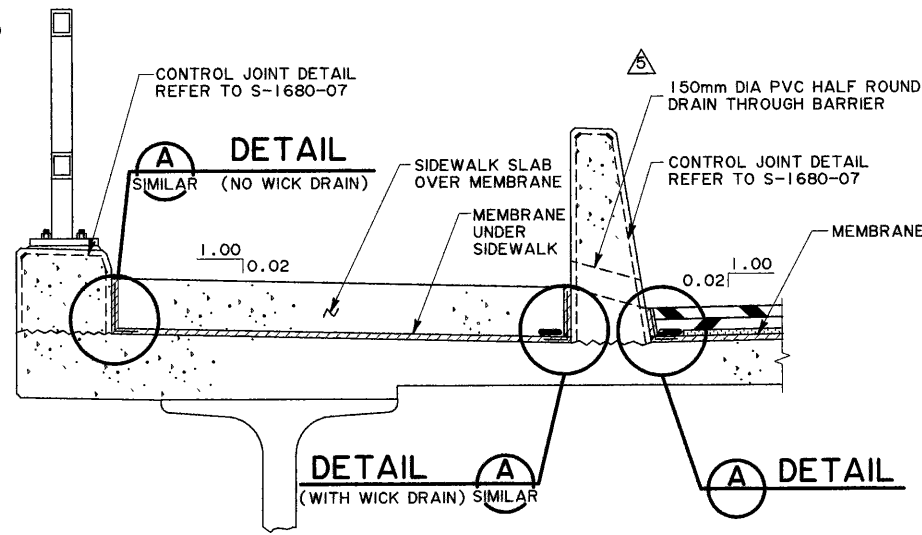
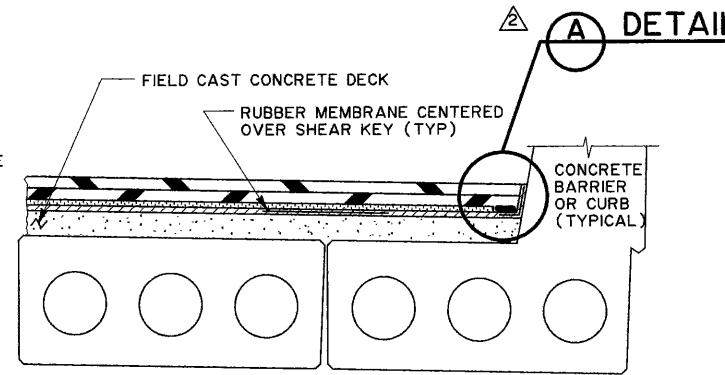


DECK BULB TEE GIRDER BRIDGES



SIDEWALK SECTION



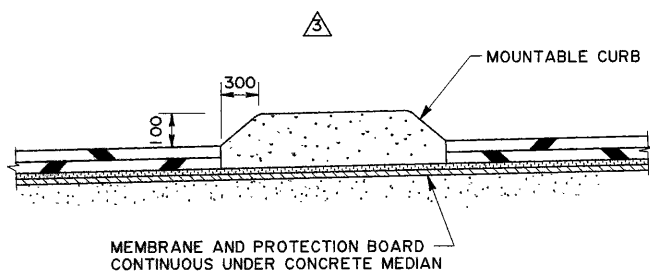
SCC/SLC COMPOSITE BRIDGES

GENERAL NOTES

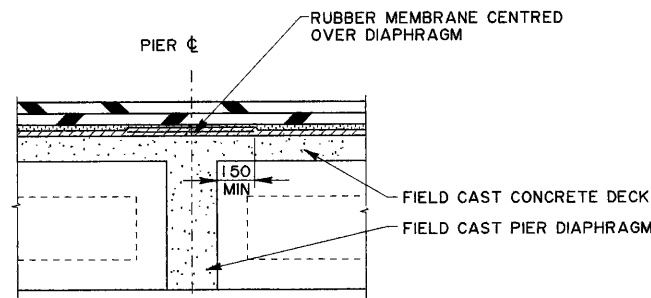
DECK WATERPROOFING SYSTEM SHALL CONFORM TO THE REQUIREMENTS OF SECTION 16, BRIDGE DECK WATERPROOFING OF THE SPECIFICATIONS FOR BRIDGE CONSTRUCTION.

LEGEND

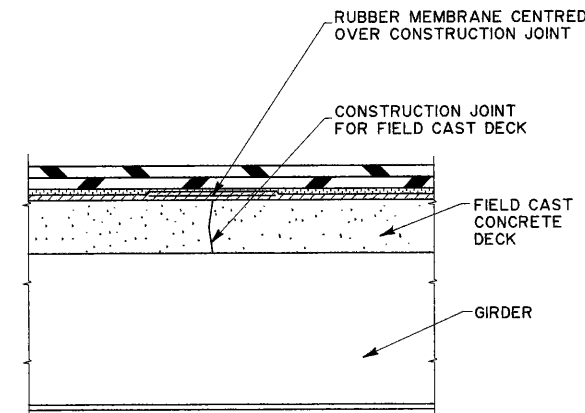
- 80mm TWO-COURSE HOT-MIX ASPHALTIC CONCRETE PAVEMENT.
- 3.2mm PROTECTION BOARD, OVERLAP PIECES 12mm MINIMUM TO 25mm MAXIMUM, EXTEND TO WITHIN 5mm OF WICK DRAIN AND CONCRETE PAVING LIP EDGES.
- 5mm ASPHALT MEMBRANE.
- 1.2 mm RUBBER MEMBRANE CENTERED OVER CONSTRUCTION JOINTS & CRACKS OR POTENTIAL CRACKS. MINIMUM EXTENSION BEYOND JOINT OR CRACK TO BE 150mm UNLESS SPECIFIED OTHERWISE, VERTICAL EXTENSION AT CURB FACES AND EXPANSION ASSEMBLIES SHALL BE AS SHOWN. MINIMUM 100mm OVERLAP WHEN MULTIPLE STRIPS ARE USED. APPLY RUBBER MEMBRANE 450mm x 450mm CENTRED OVER THE FOLLOWING HOLES:
1) DIAPHRAGM ACCESS HOLE TO SCC CURB GIRDERS
2) HIFT HOOK POCKETS
- WICK DRAIN - NILEX MD/7407 OR APPROVED EQUIVALENT FOR FULL LENGTH OF DECK ALONG GUTTERS. (INSTALL WHEN MEMBRANE IS TACKY)



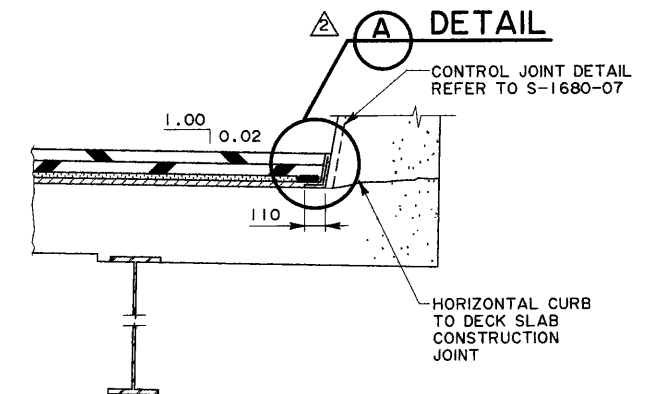
MEDIAN ON DECK



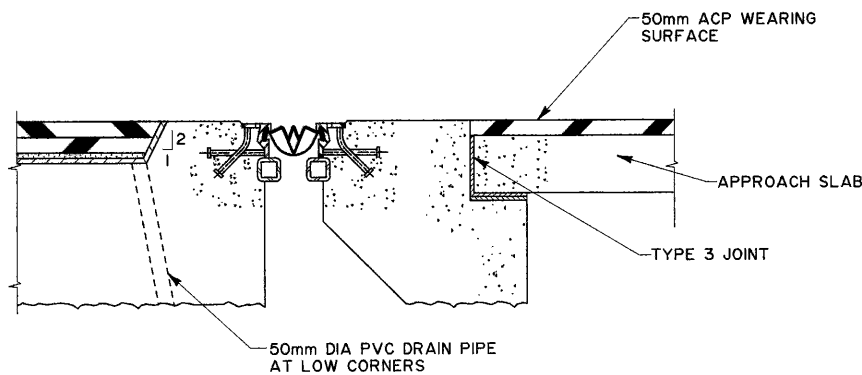
CAST-IN-PLACE PIER DIAPHRAGMS PRECAST GIRDERS



CAST-IN-PLACE DECK CONSTRUCTION JOINTS

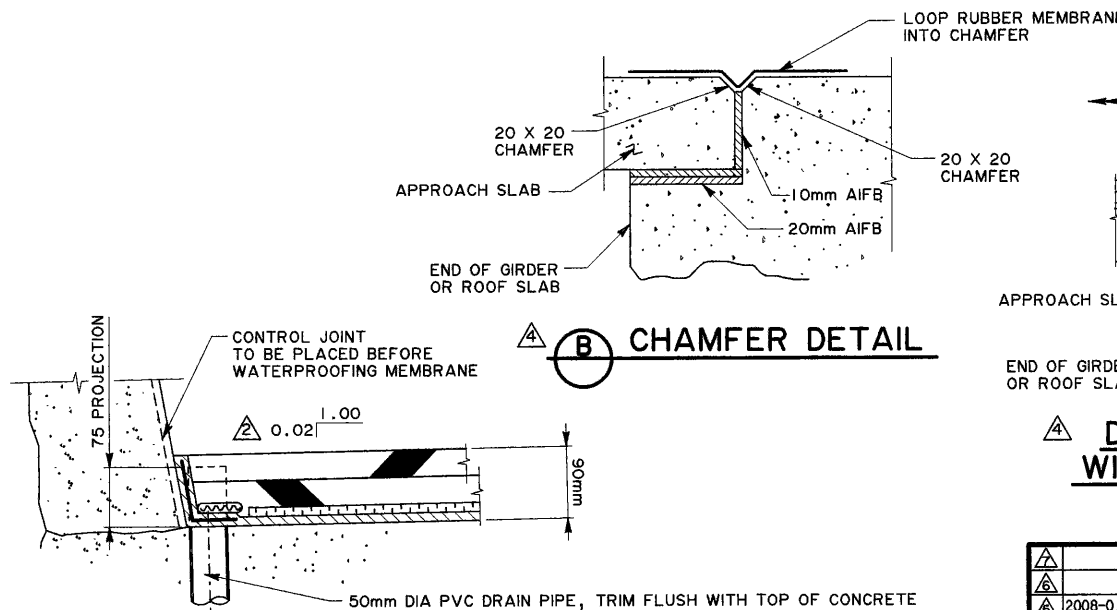


STEEL OR NU GIRDER BRIDGES WITH FIELD CAST DECK



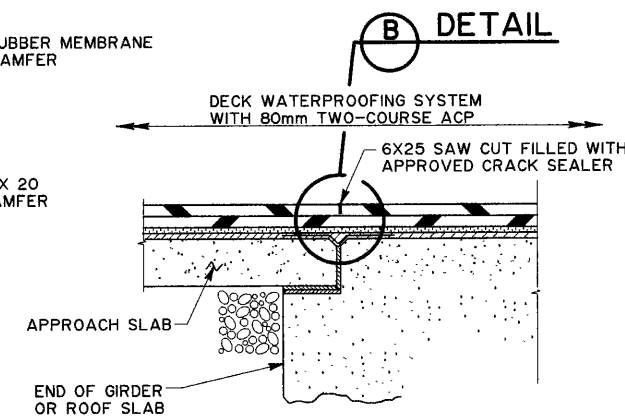
DECK SIDE ABUT SIDE

DETAILS AT DECK JOINTS

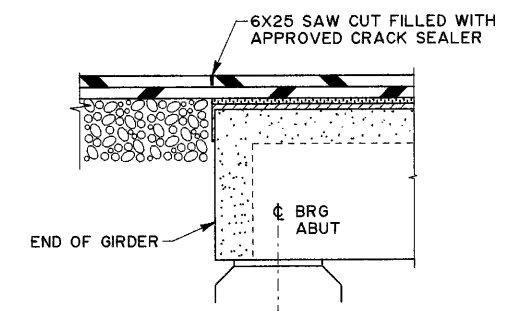


CHAMFER DETAIL

EDGE DETAIL AND PVC DRAIN PIPE



DETAILS AT BRIDGE ENDS WITH INTEGRAL ABUTMENTS



DETAILS AT BRIDGE ENDS WITHOUT APPROACH SLABS

REV	DATE	REVISIONS	BY							
2008-01-17		WATERPROOFING DETAIL FOR MEDIAN ON DECK & NOTE ADDED TO SIDEWALK SECTION	CM							
2007-09-12		NEW SIDEWALK SECT, MOD BRIDGE ENDS & MEDIAN	CM							
2007-02-14		WICK DRAIN NOTE ADDED	RY							
2003-02-26		GENERAL NOTES & WICK DRAIN	RY							
98-10-15		REDRAWN FROM S-1443-85 REV.3	RY							
DESIGNED	DRAWN	DATE	CHECKED	DATE	STREAM	LOCATION	HIGHWAY	FILE	SHEET	DRAWING
RY	WJW	98-12-10	CTC						1 OF 1	S-1443-98

ORIGINAL DRAWING APPROVED BY
ALLAN KWAN
EXECUTIVE DIRECTOR
TECHNICAL STANDARDS BRANCH
JANUARY 12, 1999

Alberta TRANSPORTATION AND UTILITIES
TECHNICAL STANDARDS BRANCH

DECK WATERPROOFING SYSTEM WITH 80mm TWO-COURSE HOT-MIX ASPHALT CONCRETE PAVEMENT