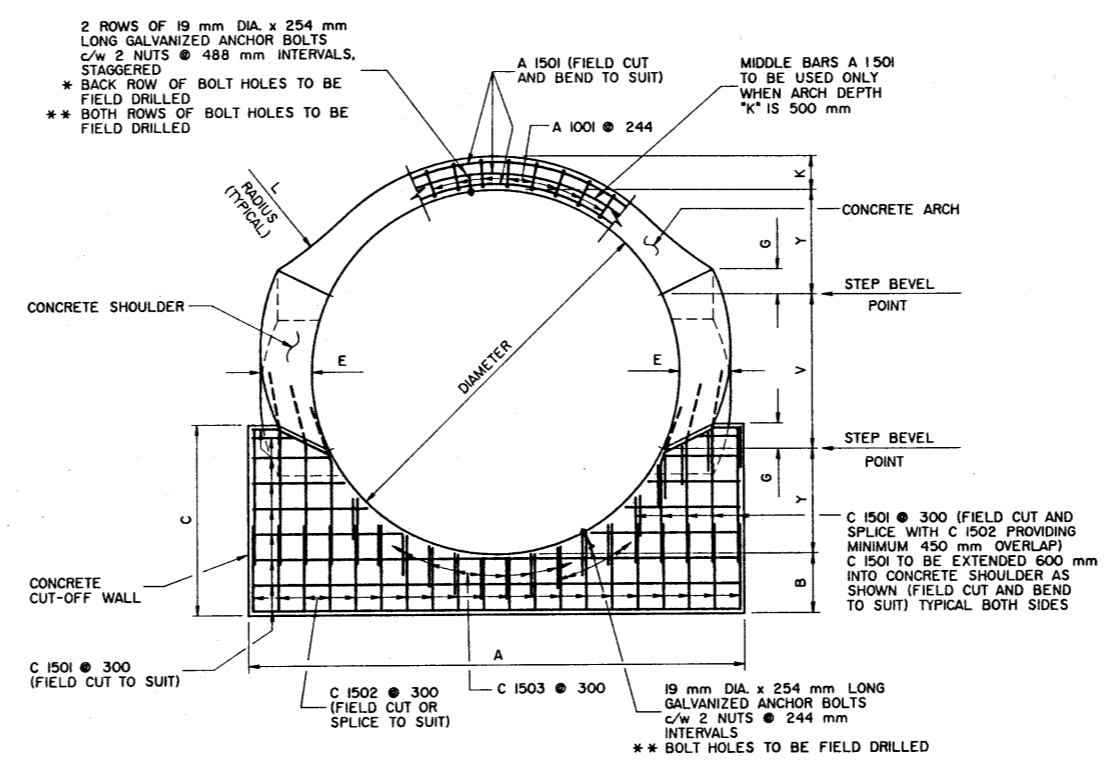
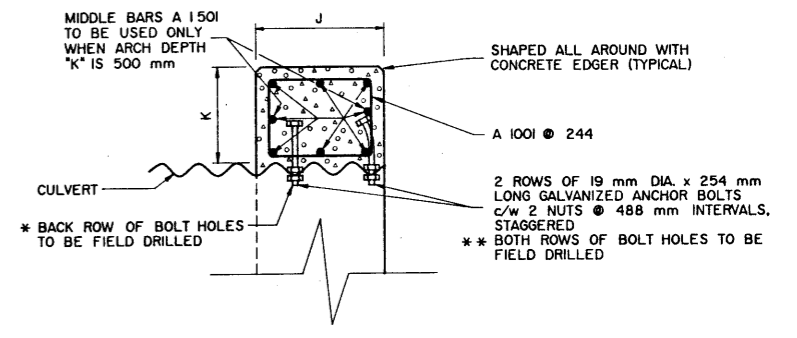


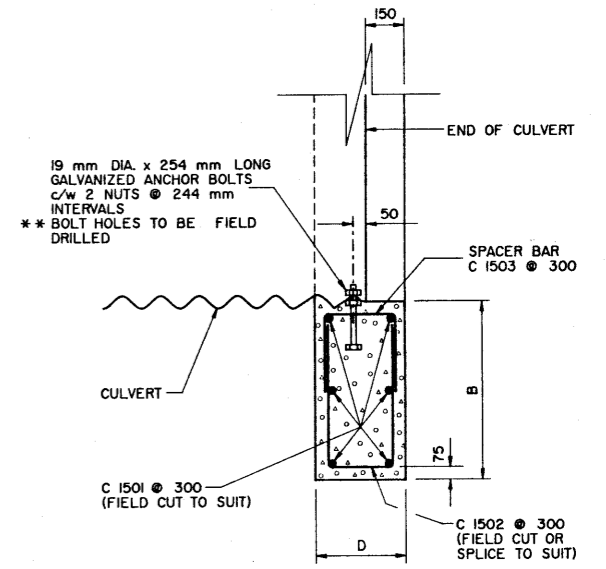
PLAN VIEW OF CONCRETE COLLAR
 NTS



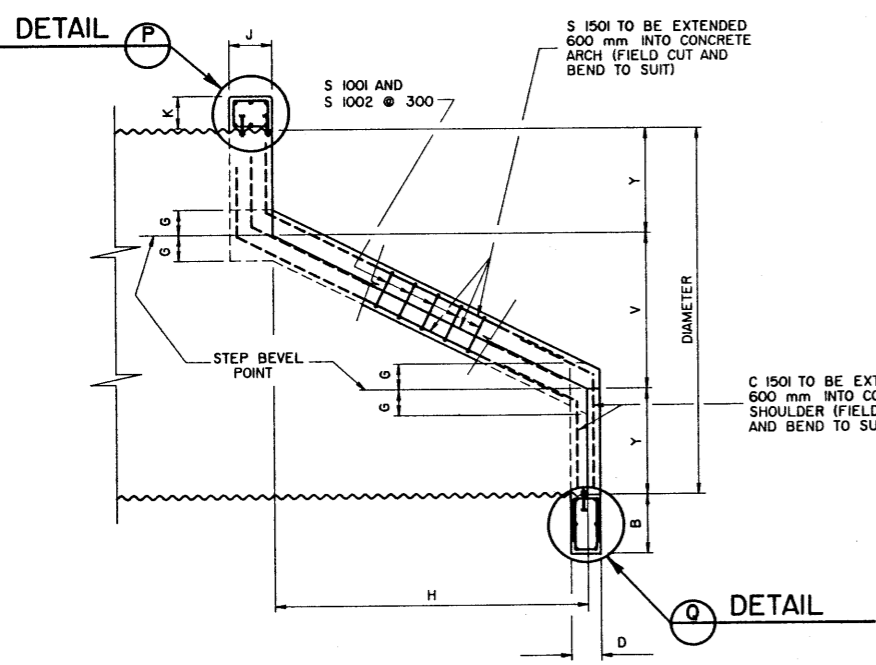
SECTION - END VIEW
 NTS



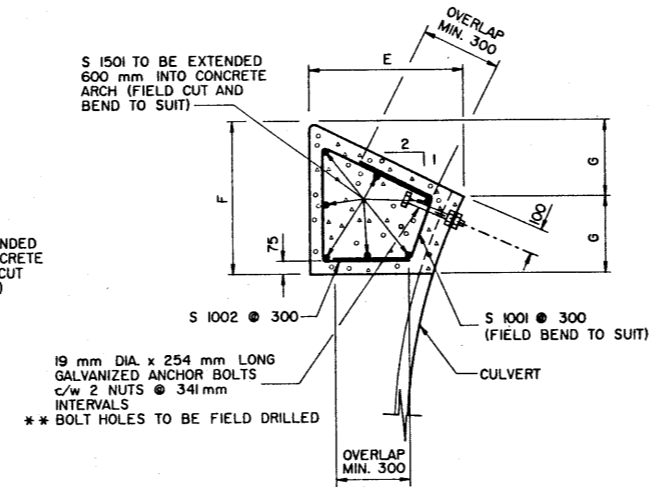
DETAIL - ARCH
 NTS



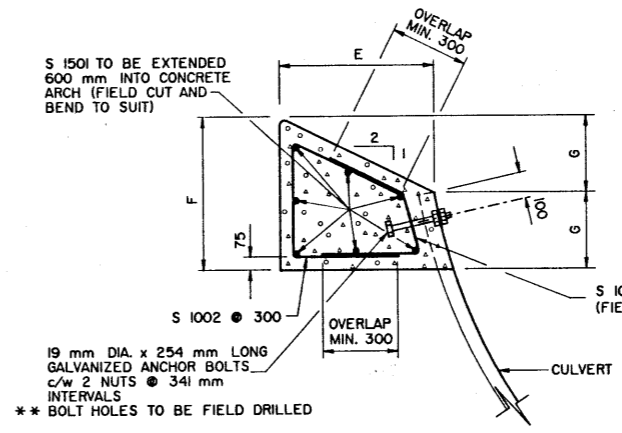
DETAIL - CUT-OFF
 NTS



LONGITUDINAL SECTION
 NTS



SECTION - SHOULDER
 NTS



SECTION - SHOULDER
 NTS

SUPERSEDED ③
 BY S-1444-93
 rev. 94-06-02

• THESE NOTES APPLICABLE TO S.P.C.S.P. ONLY
 ** THESE NOTES APPLICABLE TO C.S.P. ONLY ③

Alberta TRANSPORTATION AND UTILITIES
 BRIDGE ENGINEERING BRANCH

CONCRETE END TREATMENT
 FOR LARGE STEEL CULVERTS
 SHEET 1

REV	DATE	REVISIONS	BY
93-11-03		DEVELOPED FROM S-1444 REV 2 & S-1445 REV 3	M.E.K.

DESIGNED: J.O'B. J.A.E.
 DRAWN: H.W.M.
 DATE: 93-11-03
 CHECKED: C.T.C.
 DATE: 93-11-17

APPROVED
William W. Krause
 EXECUTIVE DIRECTOR
 BRIDGE ENGINEERING
 DATE: Dec 2, 1993

DESIGNED	DRAWN	DATE	CHECKED	DATE	STREAM	LOCATION	HIGHWAY	FILE	SHEET	DRAWING
J.O'B. J.A.E.	H.W.M.	93-11-03	C.T.C.	93-11-17					1 of 2	S-1444-93

