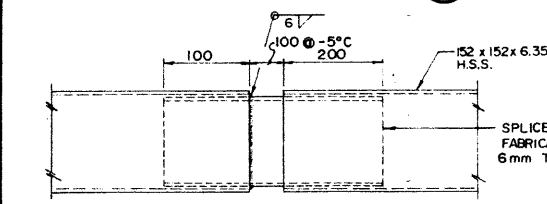
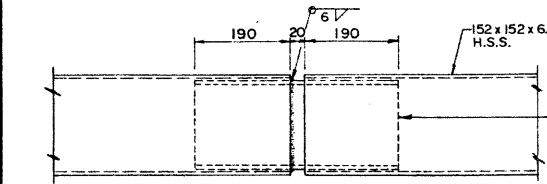


**ELEVATION-GUARDRAIL**  
SCALE: 1:5

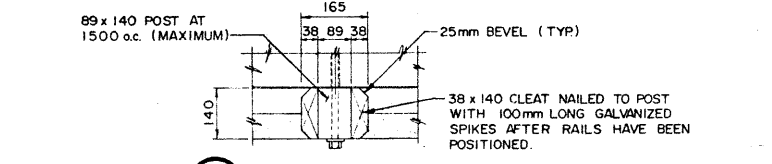


**GUARDRAIL EXPANSION JOINT ON BRIDGE**  
SCALE: 1:5

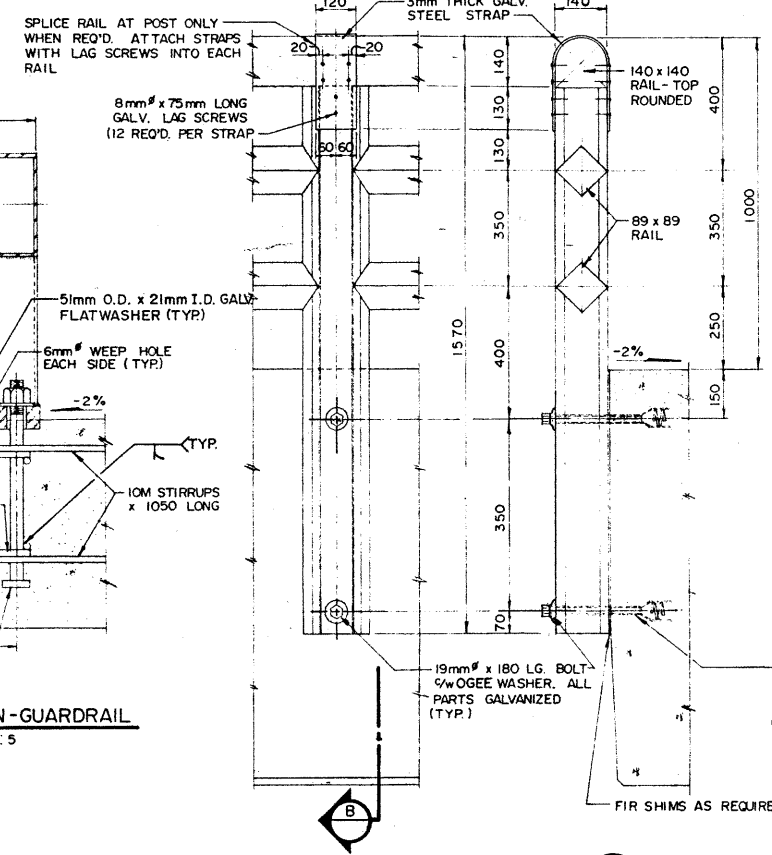


**GUARDRAIL-TYPICAL FIELD SPLICE ON BRIDGE**  
SCALE: 1:5

- NOTES:**
- HANDRAIL:**
- ALL WOOD FOR THE HANDRAIL SHALL BE GRADE 'C' INDUSTRIAL CLEAR WESTERN RED CEDAR, FINISHED ALL SIDES, NO GRADE 'D' ALLOWED.
  - BEVELLED CLEATS AND TOP RAIL TO BE FABRICATED IN APPROVED WOODWORKING PLANT.
  - BOLT HOLES IN POSTS TO BE FIELD DRILLED FOR HANDRAIL.
  - POSTS TO BE VERTICAL UNLESS NOTED OTHERWISE, SHIM AS REQ'D. FOR HANDRAIL.
- GUARDRAIL:**
- FABRICATE SPLICE SLEEVES 6mm THICK BY 400mm LONG TO FIT INSIDE AN H.S.S. 152x152x6.35 WITH 1mm CLEARANCE ALL AROUND.
  - GUARDRAIL TO BE CONTINUOUS FOR A MINIMUM OF THREE PANEL LENGTHS.
  - SUPPLY OF GUARDRAIL FOR BRIDGE SHALL INCLUDE APPROACHES AT FOUR CORNERS.
  - STEEL RAIL, POSTS AND BASE PLATES ON BRIDGE TO BE C.S.A. G40.21M - 350 A



**PLAN-HANDRAIL POST**  
SCALE: 1:10



**ELEVATION-HANDRAIL**  
SCALE: 1:10



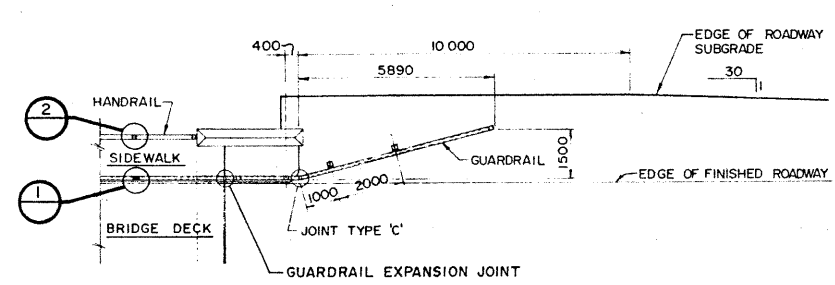
**SECTION A**  
SCALE: 1:5



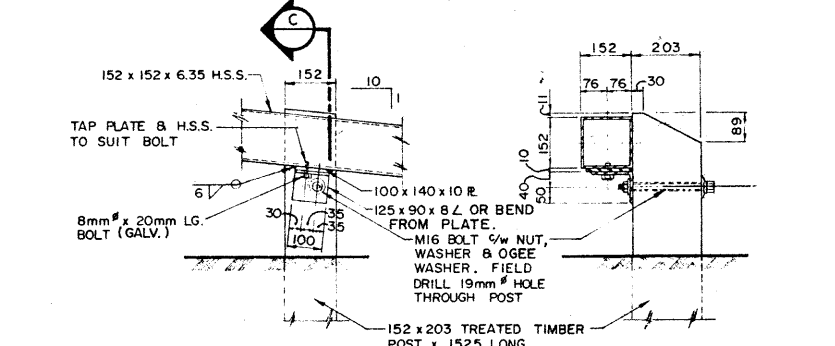
**SECTION B**  
SCALE: 1:10

**NOT IN USE**  
REFER TO S-1468-82  
FOR CURRENT DETAILS

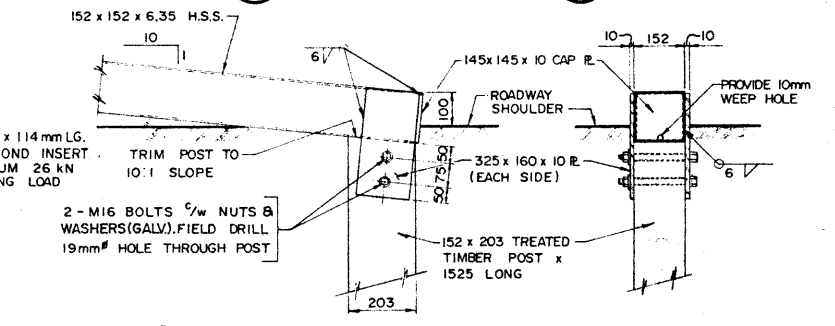
- CONT:**
- STEEL RAIL ON BRIDGE APPROACHES TO BE C.S.A. G40.21M - 350 A
  - BOLTS TO BE A.S.T.M. A325 - TYPE 3 ON GUARDRAIL, NUTS & WASHERS TO MATCH.
  - STEEL PLATES TO BE C.S.A. G40.21M - 350 A
  - WELDING TO CONFORM TO A.W.S. D1.1
  - STEEL ANGLES TO BE C.S.A. G40.21M - 350 A
  - BOLTS TO BE A.S.T.M. A325 - TYPE 1 ON HANDRAIL, NUTS & WASHERS TO MATCH.
  - FABRICATION SHALL CONFORM TO THE CURRENT BRIDGE BRANCH SPECIFICATION FOR THE SUPPLY OF BRIDGERAIL. (SPECIFICATION NO. B-312M)



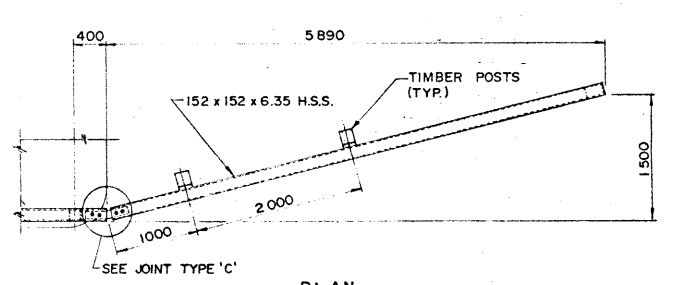
**PLAN-APPROACH TERMINAL**  
SCALE: 1:100



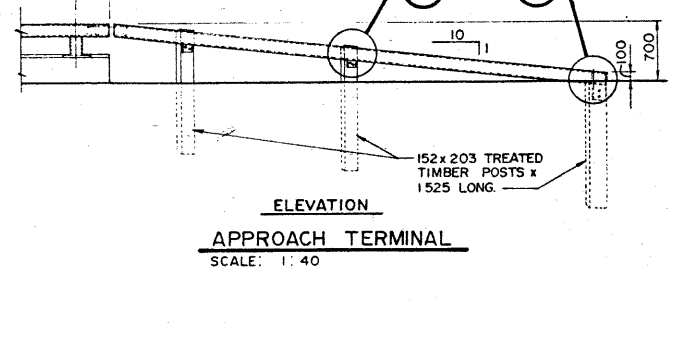
**DETAIL 3**  
SCALE: 1:10



**DETAIL 4**  
SCALE: 1:10



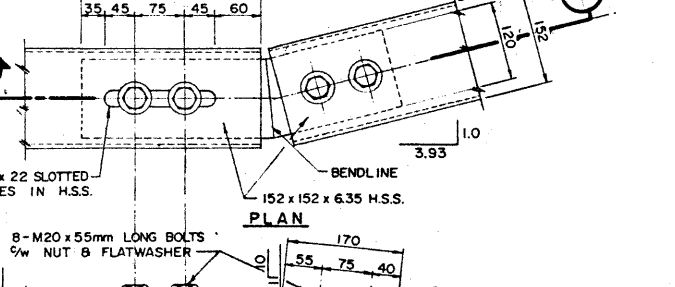
**PLAN**  
SCALE: 1:40



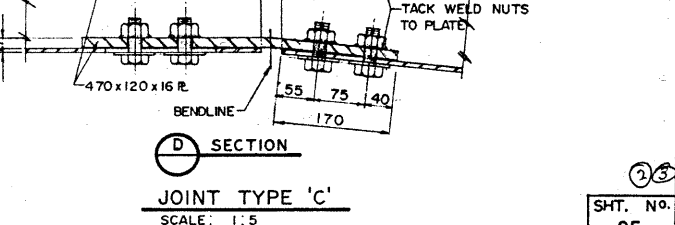
**ELEVATION**  
SCALE: 1:40



**SECTION C**  
SCALE: 1:10



**PLAN**  
SCALE: 1:5

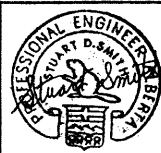


**SECTION D**  
SCALE: 1:5

THE ASSOCIATION OF PROFESSIONAL ENGINEERS OF ALBERTA  
PERMIT NUMBER P220  
BOLTER PARISH TRIMBLE LTD.

NO.	DATE	DESCRIPTION	BY
87-03-16	NOT IN USE - SEE S-1468-82		T.J.S.
FEB. 12, 1982	RE-DRAWN		S.D.S.
REVISIONS			

Bolter Parish Trimble Ltd.			
CONSULTING ENGINEERS			
DATE	B.R.T. DWG.	DWN. BY	LOCATION
FEB., 1982	109-6-52-82	G.J.P.	HWY.
		DES'D. BY	
		S.D.S.	



ALBERTA TRANSPORTATION  
BRIDGE AND STRUCTURAL ENGINEERING BRANCH  
KANANASKIS COUNTRY BRIDGES  
RAILING DETAILS-STANDARD BRIDGES

SHT. NO. OF  
FILE NO.  
HWY. STA.  
DWG. NO. S-1452-82