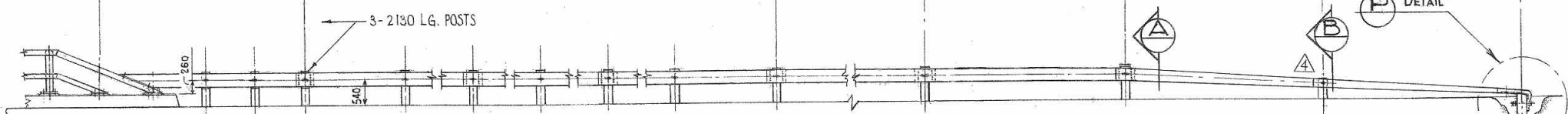
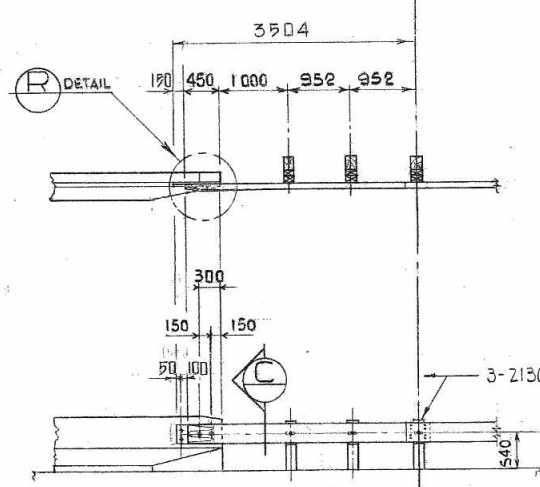


PLAN

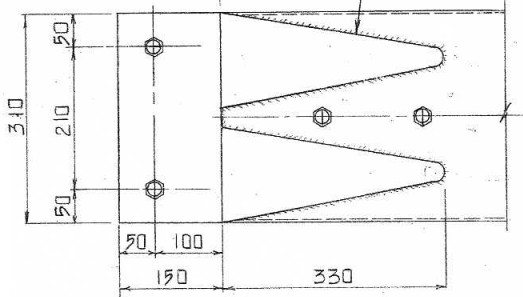
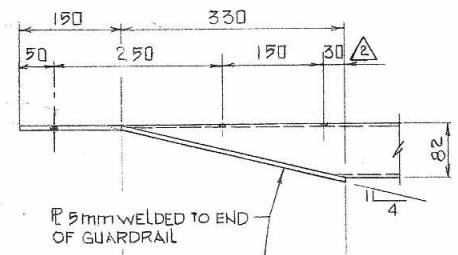


ELEVATION
GUARDRAIL ON ROADWAY
(TYPICAL FOR TYPE I TO IV CONNECTIONS) 1:5

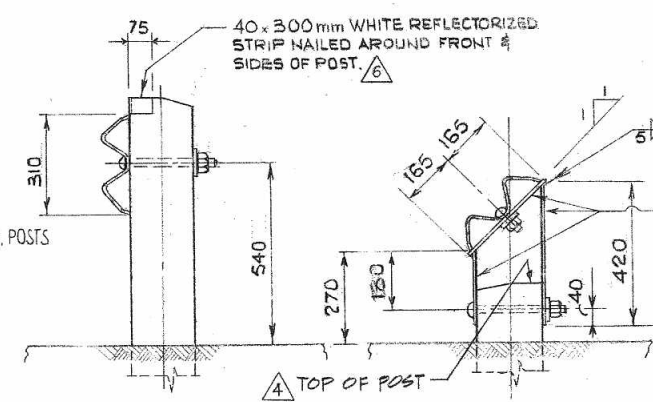
TYPE I
CONNECTION TO 850mm
TUBE TYPE BRIDGERAIL



TYPE II
CONNECTION TO PARAPET

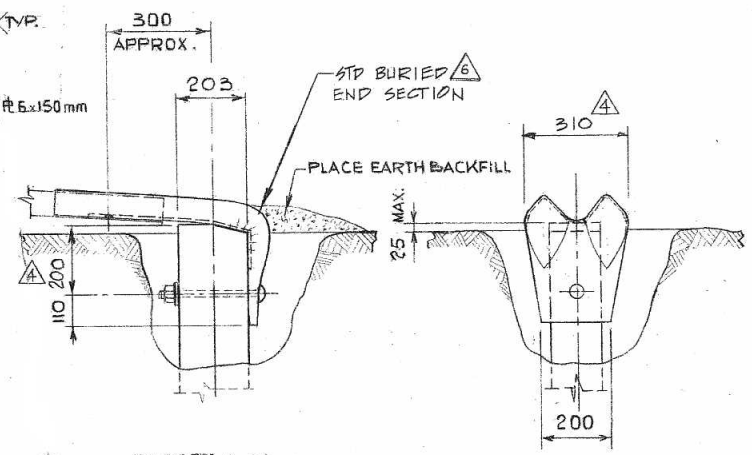


R DETAIL
1:5

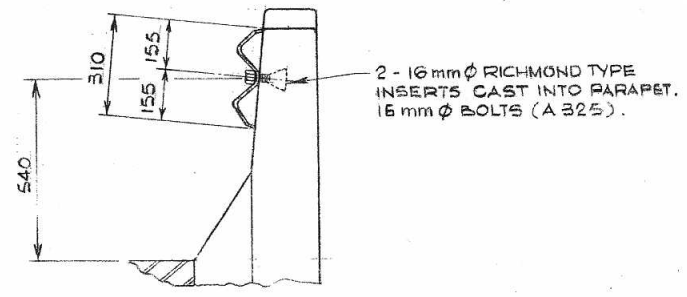


A SECTION
1:10

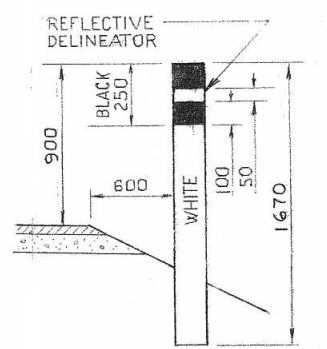
B SECTION
1:10



P DETAIL
1:10



C SECTION
1:10



S GUIDE POST
DETAIL
NTS

GENERAL NOTES:

- DIMENSIONS ARE GIVEN IN MM.
- RAIL SECTIONS TO BE LAPPED IN DIRECTION OF TRAFFIC.
- POSTS TO BE FIRMLY TAMPED INTO GROUND.
- WORK THIS DWG. IN CONJUNCTION WITH DWG. #S-1472
- LENGTHS OF GUARDRAIL SHOWN ARE MINIMUMS. LENGTHS TO BE INCREASED AS REQUIRED BY ROADWAY AND TRAFFIC CONDITIONS.
- POSTS ARE 1.52m LONG EXCEPT AS NOTED.
- ALL REFERENCES TO DEEP BEAM GUARDRAIL ON THE DRAWING ARE THE SAME AS W-BEAM GUARDRAIL IN THE SPECIFICATIONS.

SUPERSEDED

SUPERSEDED
BY S-1471 REV.8 2004-11-29

NO.	DATE	DESCRIPTION	BY
34-12-06		DELINATOR GUIDE POST ADDED	LEA
34-10-31		GENERAL REVISIONS	LEA
34-09-12		POST SPACING - PLAN VIEW	TJS
93-08-26		TURN DOWN END DETAILS	RJR
92-01-20		TT BLOCKING DETAILS	DHQ
87-01-20		BOLT SPACING	J.C.Y.
84-06-20		REVISED FROM S-1403	J.C.Y.

APPROVED
J. Hawley
CHIEF BRIDGE ENGINEER
DATE JUNE 19/84

Alberta TRANSPORTATION BRIDGE AND STRUCTURAL ENGINEERING BRANCH METRIC
DEEP BEAM GUARDRAIL AT BRIDGE APPROACHES SHEET 1

DESIGNED	DRAWN BY	DATE	CHECKED BY	DATE	STREAM	LOCATION	HWY NO	SCALE	FILE NO	SHEET	DRAWING
J.C.Y.	P.SZ.	840119						SHOWN		1 2	S-1471

