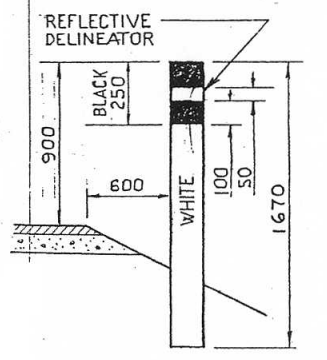
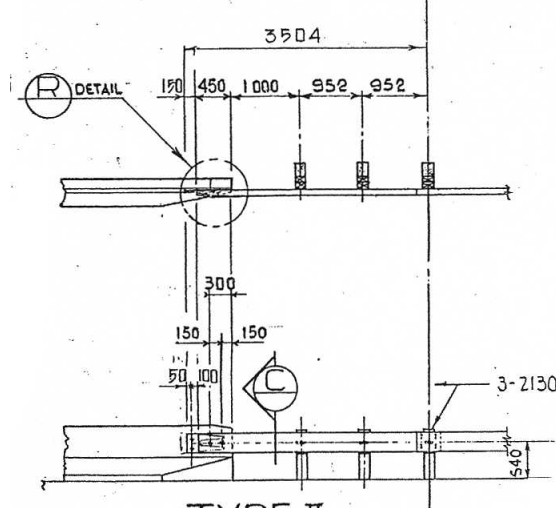


TYPE I
CONNECTION TO 850mm
TUBE TYPE BRIDGERAIL.

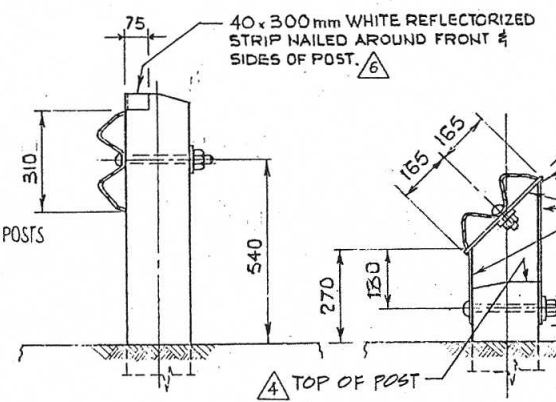
ELEVATION
GUARDRAIL ON ROADWAY
(TYPICAL FOR TYPE I TO V CONNECTIONS) 1:5



GUIDE POST
DETAIL
NTS

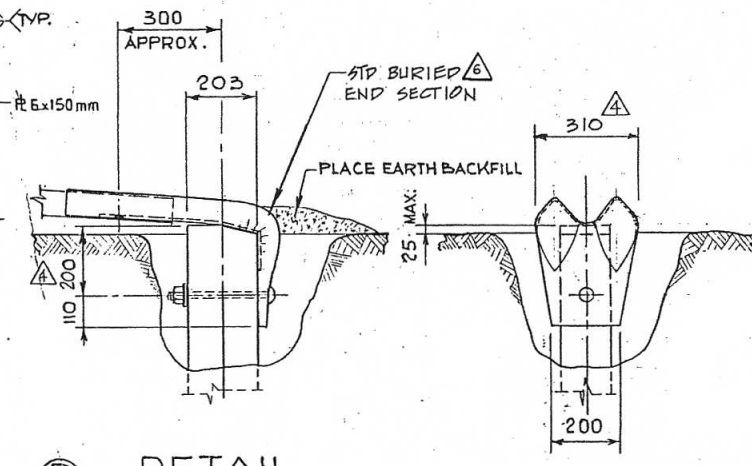


TYPE II
CONNECTION TO PARAPET

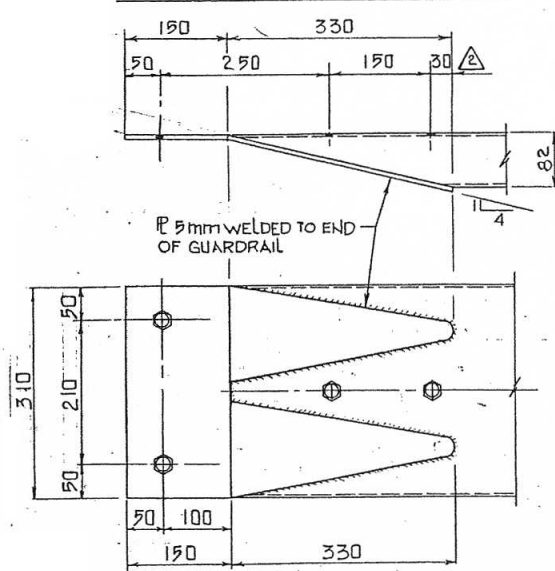


SECTION A
1:10

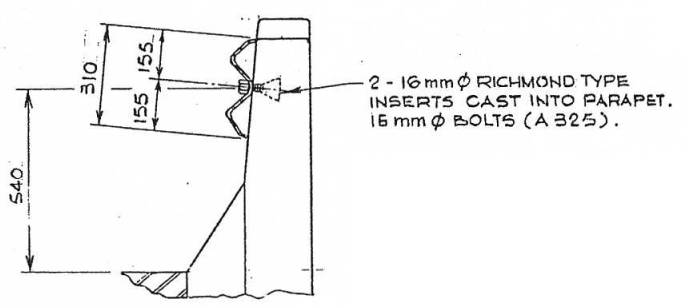
SECTION B
1:10



DETAIL P
1:10



DETAIL R
1:5



SECTION C
1:10

GENERAL NOTES:

- DIMENSIONS ARE GIVEN IN MM.
- RAIL SECTIONS TO BE LAPPED IN DIRECTION OF TRAFFIC.
- POSTS TO BE FIRMLY TAMPED INTO GROUND.
- WORK THIS DWG. IN CONJUNCTION WITH DWG. #S-1472
- LENGTHS OF GUARDRAIL SHOWN ARE MINIMUMS. LENGTHS TO BE INCREASED AS REQUIRED BY ROADWAY AND TRAFFIC CONDITIONS.
- POSTS ARE 1.52m LONG EXCEPT AS NOTED.
- ALL REFERENCES TO DEEP BEAM GUARDRAIL ON THE DRAWING ARE THE SAME AS W-BEAM GUARDRAIL IN THE SPECIFICATIONS.

THE USE OF THESE DRAWINGS SHALL BE LIMITED TO MAINTENANCE WORK OF APPROACH GUARDRAILS FOR EXISTING BRIDGES, WHICH HAVE BEEN DETERMINED TO REQUIRE NO UP-GRADING IN ACCORDANCE WITH THE "BRIDGE STRUCTURES DESIGN CRITERIA, APPENDIX D- GUIDELINES FOR UPGRADING OF EXISTING BRIDGERAILS/APPROACH RAIL TRANSITION IN ALBERTA". THESE DRAWINGS SHALL NOT BE USED FOR NEW BRIDGE CONSTRUCTION OR BRIDGERAIL REPLACEMENT PROJECTS.

NO.	DATE	DESCRIPTION	BY
04-11-29		NOTE ADDED	RY
94-12-06		DELINEATOR GUIDE POST ADDED	LEA
94-10-31		GENERAL REVISIONS	LEA
94-09-12		POST SPACING - PLAN VIEW	TJS
93-08-26		TURN DOWN END DETAILS	RJR
92-01-20		TT BLOCKING DETAILS	DHR
87-01-20		BOLT SPACING	J.C.Y.
84-06-20		REVISED FROM S-1403	J.C.Y.

APPROVED
J. C. Y.
CHIEF BRIDGE ENGINEER
DATE: JUNE 19/84

Alberta TRANSPORTATION BRIDGE AND STRUCTURAL ENGINEERING BRANCH METRIC

DEEP BEAM GUARDRAIL AT BRIDGE APPROACHES SHEET 1

DESIGNED: J.C.Y. DRAWN BY: P.SZ. DATE: 840119 CHECKED BY: DATE: STREAM: LOCATION: HWY. NO.: SCALE: FILE NO.: SHEET: 1 2 DRAWING: S-1471

NOTE: THIS DRAWING HAS BEEN REDUCED TO 22"X34" DO NOT SCALE