

- STRINGER PLACEMENT**
- EXISTING STRINGERS ON LINE ① SHALL RE-USE EXISTING HOLES IN FLOORBEAMS.
 - EXISTING STRINGERS ON LINES ② ④ AND ⑤ SHALL BE RESPACED AS SHOWN ON (A) DECK SECTION AND "PLAN- FLOOR SYSTEM".
 - FIELD DRILL 1 1/8" HOLES IN FB1 AND FB2 TO MATCH HOLES RESPACED STRINGERS.
 - PLUS OPEN HOLES LEFT IN FB1 AND FB2 TOP FLANGE WITH 3/4" x 2 LG FIELD BOLTS AT OLD STRINGER LOCATIONS.
 - PLUS OPEN HOLES LEFT IN STRINGER WEB S3 AND S6 WITH 3/4" x 2 LG FIELD BOLTS AT OLD HANGER ROD LOCATIONS.
 - NEW ADDITIONAL STRINGERS REQUIRED ON LINES ③ AND ⑥. COMPLETE AS DETAILED ON DRAWING S-1474.

- GENERAL NOTES**
- NOTE RE A24 TRUSSES AS OF DECEMBER 1987: TRUSSES A24-17 AND A24-39 WERE FABRICATED WITH 7 LINES OF S10x28 STRINGERS; ALL OTHER A24 TRUSSES HAD 8 LINES OF S9x21.8 STRINGERS.
 - DRAWINGS USED (OR TO BE USED) FOR STRENGTHENING ARE:

A24-05	12257-P	TO	12261-P
A24-15	12094-P	TO	12098-P
A24-17	12509-P	TO	12513-P
A24-39	12509-P	TO	12513-P
 - ALL OTHERS: CREATE A SITE SPECIFIC BRIDGE LAYOUT DRAWING AND USE REMAINING DRAWINGS AS PER INDEX ON DRAWING S-1480 (WITH STRINGER INSERTIONS) OR DRAWING S-1473 (WITH STRINGER RESPACING).
 - ALL DIMENSIONS ARE GIVEN IN IMPERIAL UNITS.
 - BRIDGE ENGINEERING BRANCH INVENTORY RATING FOR THE STRENGTHENED TRUSS AND FLOOR SYSTEM (IN TONNES) (FOR 7" TIMBER DECK):

	H TRUCK	HS TRUCK	CS TRUCK
STRINGERS	25.8	46.4	68.7
FLOORBEAMS	27.4	49.3	73.1
TRUSS MEMBERS (L2L3)	38.7	42.4	66.0

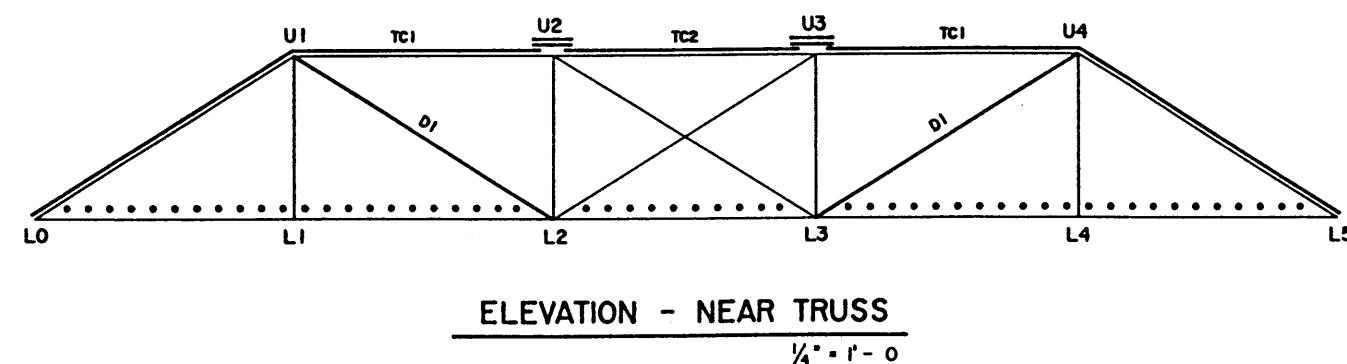
ESTIMATED STEEL WEIGHT OF ONE STRENGTHENED SPAN: 19.1 TONNES.

LEGEND

—	EXISTING MEMBERS
—	NEW STRENGTHENING MEMBERS
.....	POST-TENSIONING DYWIDAG BAR

INDEX

5 of 5	MATERIAL LIST AND NOTES	S-1475
4 of 5	TOP CHORD	S-1483
3 of 5	ADDITIONAL STRINGERS AND REPLACEMENT DIAGONALS	S-1474
2 of 5	BOTTOM CHORD POST-TENSIONING	S-1481
1 of 5	TRUSS LAYOUT	S-1473
SHEET	DESCRIPTION	DRAWING



APPROVED

EXECUTIVE DIRECTOR
BRIDGE ENGINEERING

DATE: 87-12-16

Albarta TRANSPORTATION AND UTILITIES
BRIDGE ENGINEERING BRANCH

A24 PONY TRUSS STRENGTHENING WITH STRINGER RESPACING TRUSS LAYOUT

REV	DATE	DESCRIPTION	BY
DESIGNED	D H O		
DRAWN	R J R		

DESIGNED	DRAWN	DATE	CHECKED	DATE	STREAM	LOCATION	HIGHWAY	FILE	SHEET	DRAWING
D H O	R J R	87-12-16							1 of 5	S-1473