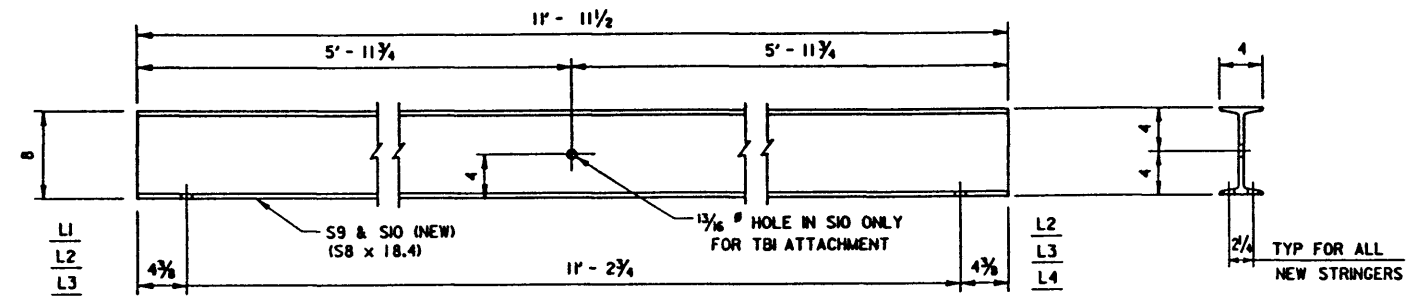


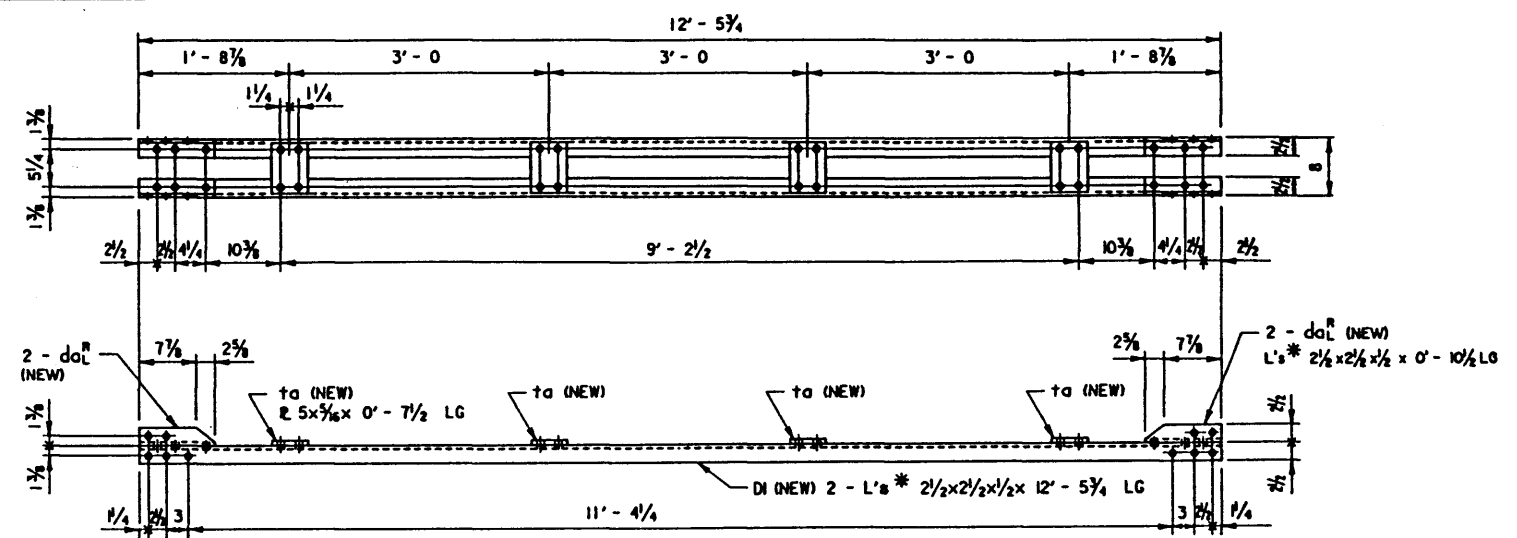
STRINGERS - S7 & S8

4 - REQ'D S7 } EXTERIOR BAYS 1 1/2" = 1'-0"
 2 - REQ'D S8



STRINGERS - S9 & S10

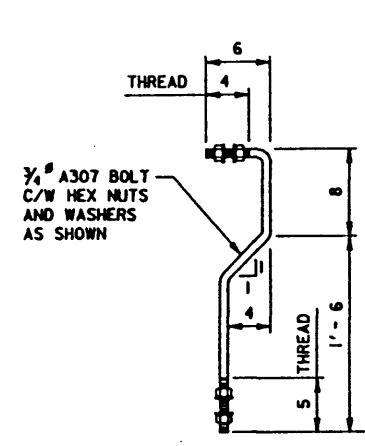
6 - REQ'D S9 } INTERIOR BAYS 1 1/2" = 1'-0"
 3 - REQ'D S10



DIAGONAL - DI

4 - REQ'D 1 1/2" = 1'-0"

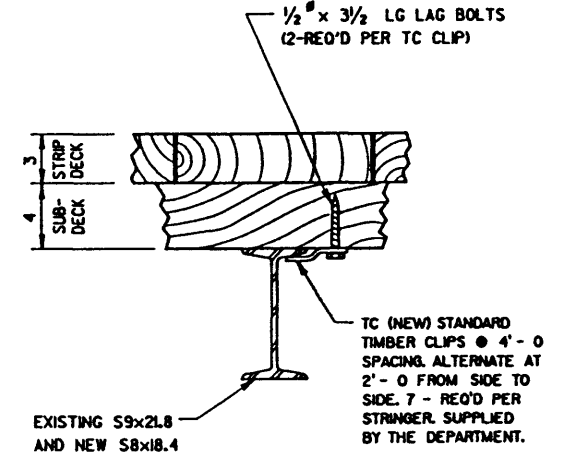
* NOTE: SUBSTITUTE L3 1/2 x 2 1/2 x 3/8 IF L2 1/2 x 2 1/2 x 1/2 NOT AVAILABLE



NOTE: TIE BOLT (TBD) TO REPLACE EXISTING HANGERS (H1 & H2)

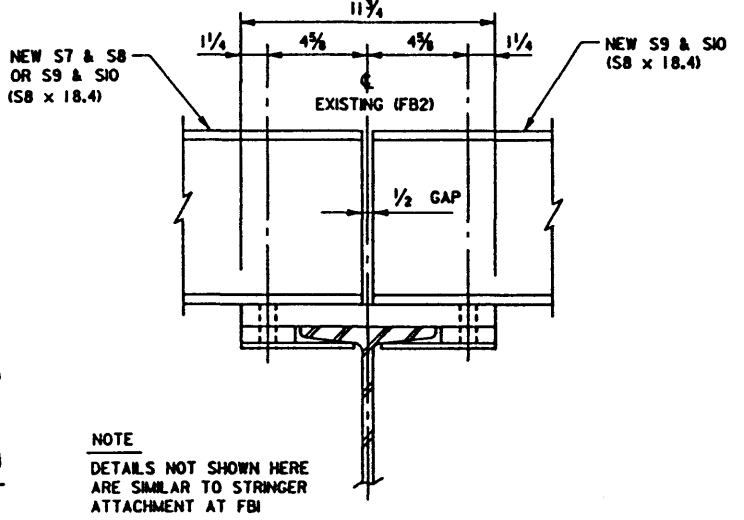
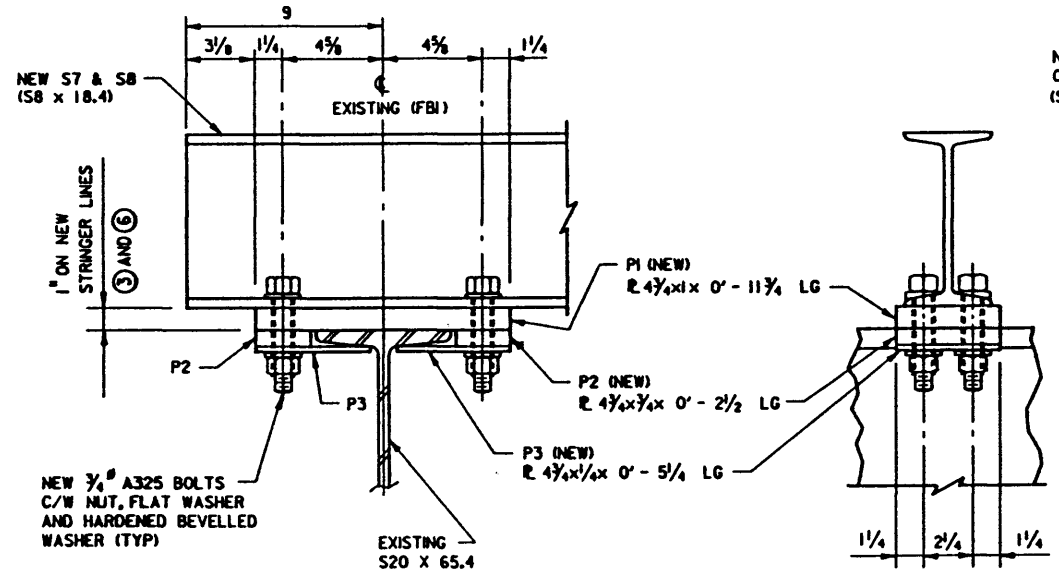
HANGER TIE BOLT - TBI

5 - REQ'D 1 1/2" = 1'-0"
 AT NEW STRINGER LINE ⑥



TIMBER CLIP - TC

385 - REQ'D 3/8" = 1"
 AT ALL STRINGER LINES



NOTE: DETAILS NOT SHOWN HERE ARE SIMILAR TO STRINGER ATTACHMENT AT FBI

STRINGER ATTACHMENT AT FB2

12 - REQ'D (AT L1, L2, L3 & L4) 3" = 1'-0"
 AT NEW STRINGER LINES ③ AND ⑥

STRINGER ATTACHMENT AT FBI

6 - REQ'D (AT L0 & L5) 3" = 1'-0"
 AT NEW STRINGER LINES ③ AND ⑥

NOTE: FOR STRINGER LINE LOCATION SEE 'PLAN - FLOOR SYSTEM' ON TRUSS LAYOUT DRAWING S-1480

GENERAL NOTES

- ALL DIMENSIONS ARE GIVEN IN IMPERIAL UNITS.
- QUANTITIES ARE FOR ONE SPAN.

APPROVED				EXECUTIVE DIRECTOR BRIDGE ENGINEERING				DATE: 07-12-16			
<p>Alberta TRANSPORTATION AND UTILITIES BRIDGE ENGINEERING BRANCH</p> <p>A24 PONY TRUSS STRENGTHENING WITH STRINGER RESPACING AND REPLACEMENT DIAGONALS</p>											
DESIGNED	DRAWN	DATE	CHECKED	DATE	STREAM	LOCATION	HIGHWAY	FILE	SHEET	DRAWING	
DHO	W S	07-12-16							3 of 5	S-1474	