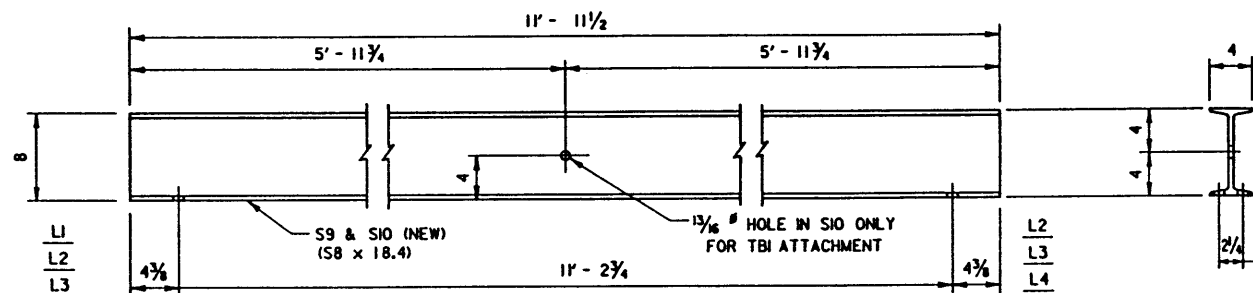


STRINGERS - S7 & S8

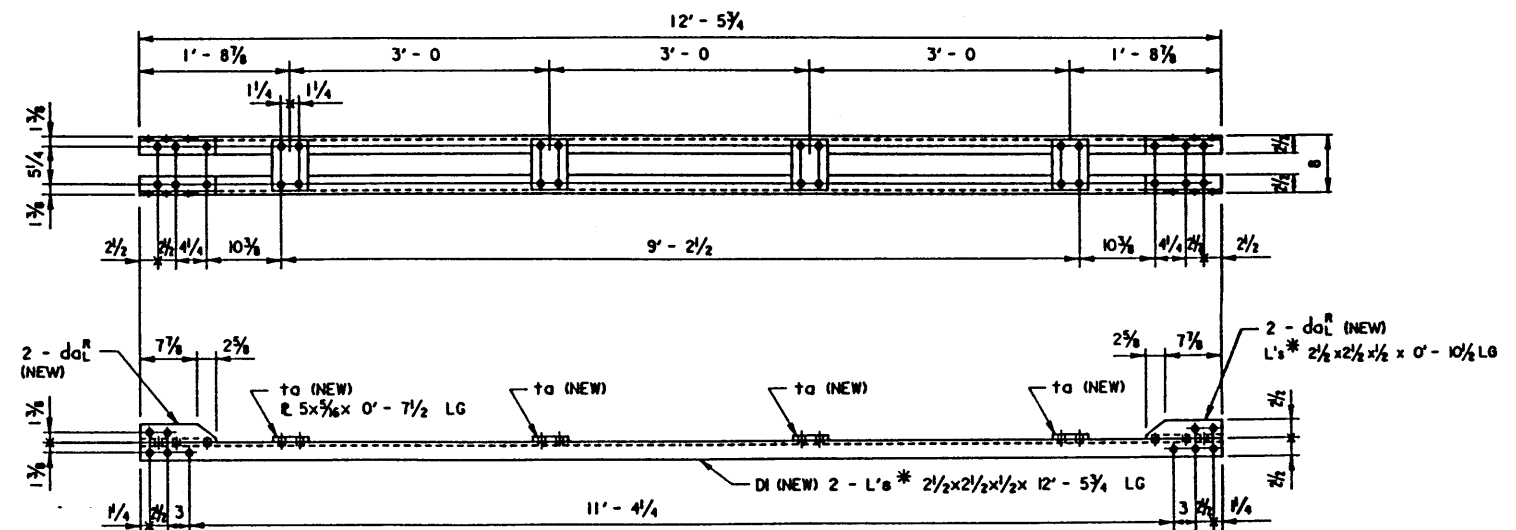
12 - REQ'D S7 } EXTERIOR BAYS 1 1/2" = 1'-0"
 2 - REQ'D S8



STRINGERS - S9 & S10

18 - REQ'D S9 } INTERIOR BAYS 1 1/2" = 1'-0"
 3 - REQ'D S10

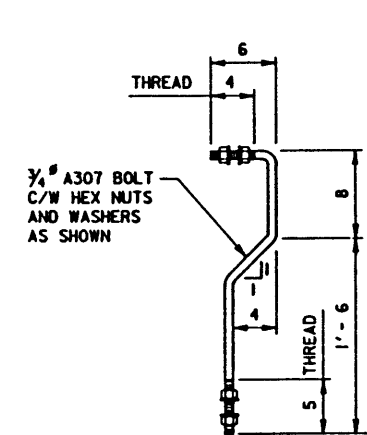
2 1/4" TYP FOR ALL NEW STRINGERS



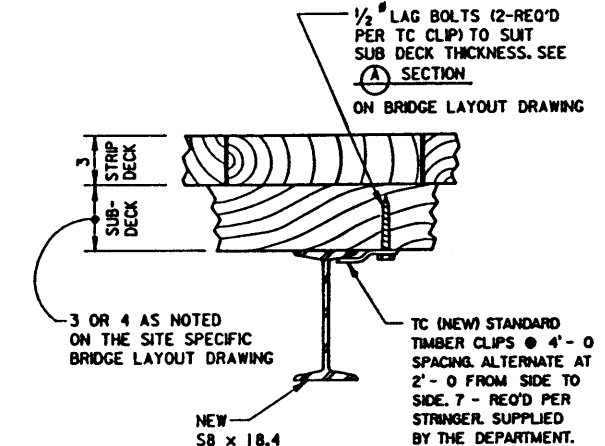
DIAGONAL - DI

4 - REQ'D 1" = 1'-0"

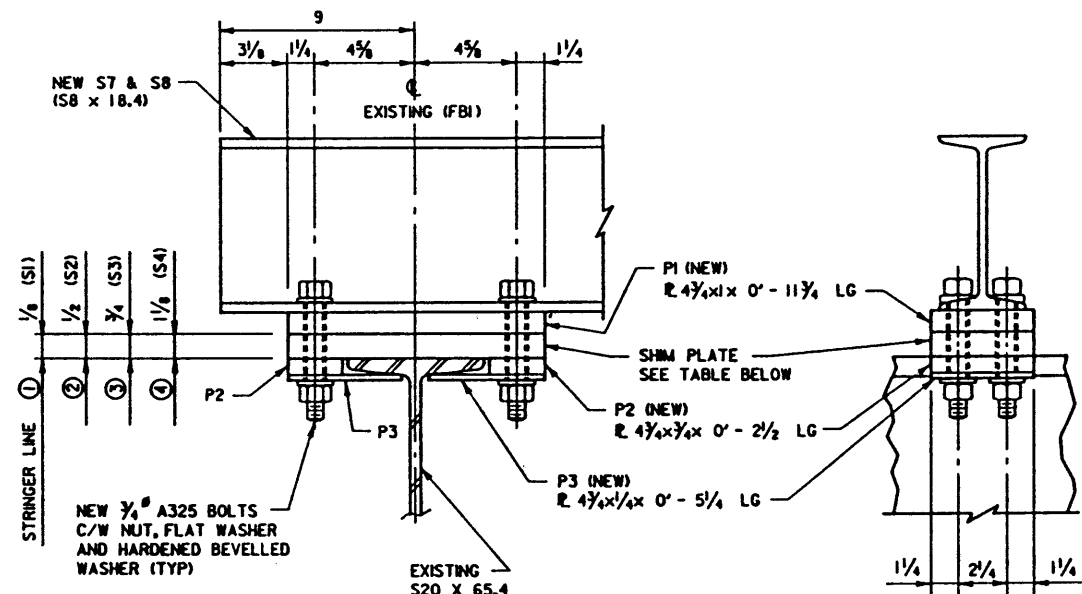
* NOTE: SUBSTITUTE L 3 1/2 x 2 1/2 x 3/8 IF L 2 1/2 x 2 1/2 x 1/2 NOT AVAILABLE



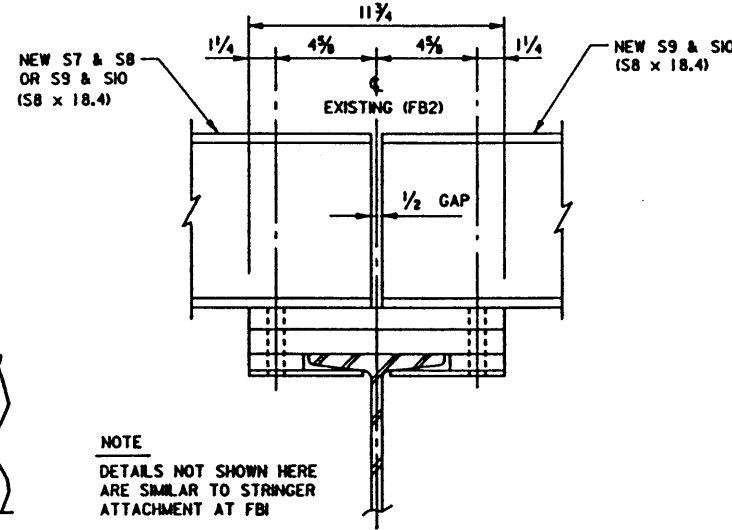
NOTE
 TIE BOLT (TBI) TO REPLACE EXISTING HANGERS (H1 & H2)
HANGER TIE BOLT - TBI
 5 - REQ'D 1 1/2" = 1'-0"
 AT NEW STRINGER LINE ④



TIMBER CLIP - TC
 245 - REQ'D 3/8" = 1"
 AT NEW STRINGER LINES ① ② ③ AND ④



STRINGER ATTACHMENT AT FBI
 14 - REQ'D (AT L0 & L5) 3" = 1'-0"
 AT NEW STRINGER LINES ① ② ③ AND ④



NOTE
 DETAILS NOT SHOWN HERE ARE SIMILAR TO STRINGER ATTACHMENT AT FBI

STRINGER ATTACHMENT AT FB2
 28 - REQ'D (AT L1, L2, L3 & L4) 3" = 1'-0"
 AT NEW STRINGER LINES ① ② ③ AND ④

SHIM PLATE TABLE			
STRINGER LINE	QTY	MARK	SIZE & SHAPE
①	12	S1	R 4 3/4 x 1/2 x 0'-11 3/4
②	12	S2	R 4 3/4 x 1/2 x 0'-11 3/4
③	12	S3	R 4 3/4 x 3/4 x 0'-11 3/4
④	6	S4	R 4 3/4 x 1/2 x 0'-11 3/4

NOTE FOR STRINGER LINE LOCATION SEE 'PLAN - FLOOR SYSTEM' ON TRUSS LAYOUT DRAWING S-1480

APPROVED		Alberta TRANSPORTATION AND UTILITIES BRIDGE ENGINEERING BRANCH	
EXECUTIVE DIRECTOR BRIDGE ENGINEERING		A24 PONY TRUSS STRENGTHENING WITH STRINGER INSERTIONS AND REPLACEMENT DIAGONALS	
REV	DATE	DESCRIPTION	BY
REVISIONS DESIGNED: DHO DRAWN: WJS DATE: 87-12-16 CHECKED: [] DATE: [] STREAM: [] LOCATION: [] HIGHWAY: [] FILE: [] SHEET: 3 of 5 DRAWING: S-1482			