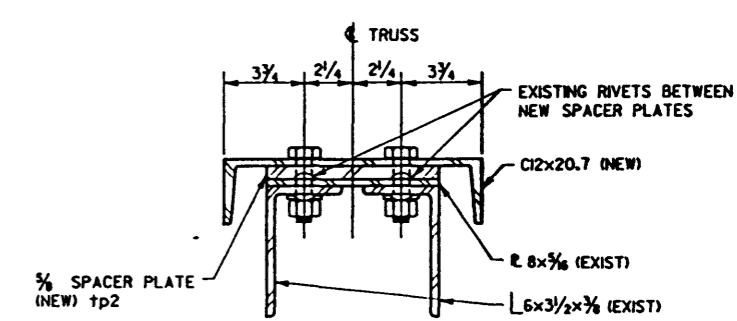


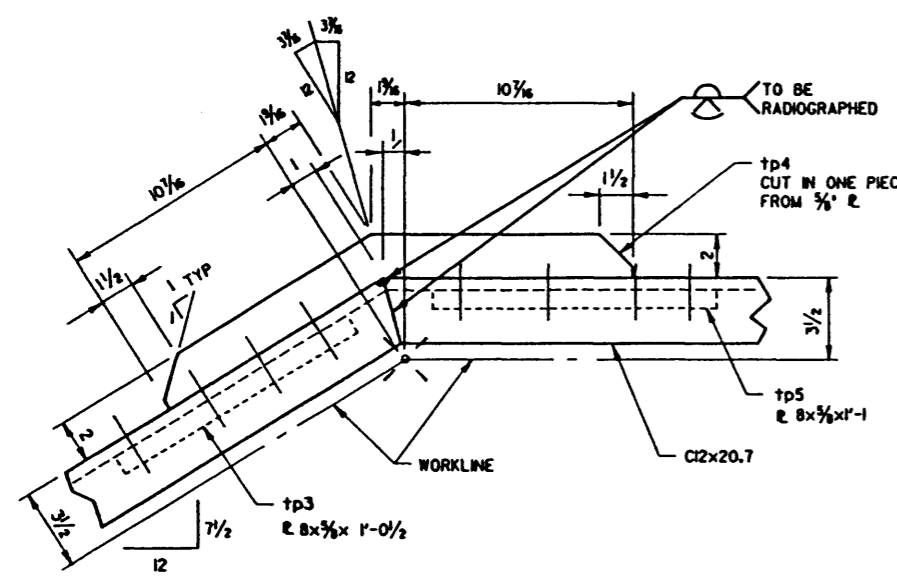
**SECTION A**  
3" = 1'-0"



**SECTION B**  
3" = 1'-0"

**ELEVATION - TOP CHORD STRENGTHENING**

WORK LINES: 1/2" = 1'-0"  
DETAILS: 1" = 1'-0"



**DETAIL P**  
3" = 1'-0"

**GENERAL NOTES**

• ALL DIMENSIONS ARE GIVEN IN IMPERIAL UNITS.

DESIGNED: D H O DRAWN: W S DATE: 87-12-16 CHECKED: [ ] DATE: [ ] STREAM: [ ] LOCATION: [ ] JOB-NUM: [ ] FILE: [ ] SHEET: 4 of 5 DRAWING: S-1483				APPROVED: [ ] EXECUTIVE DIRECTOR BRIDGE ENGINEERING DATE: 87-12-16		Alberta TRANSPORTATION AND UTILITIES BRIDGE ENGINEERING BRANCH <b>A24 PONY TRUSS STRENGTHENING          WITH STRINGER INSERTIONS OR STRINGER RESPACING          TOP CHORD</b>	
REVISIONS REV. DATE DESCRIPTION BY							